

VALVE AND HOLDER

CHROME THERMOSTATIC HEAD

PRODUCT IMAGE



DESCRIPTION

Control device for thermo-controlled valves consisting of a container placed under the handwheel plastic, containing thermostatic liquid, sensitive to variations in ambient temperature.

Through this sensor that acts according to the opening and the valve closure, you can adjust the temperature in a room. The thermostatic head also has the possibility of limit or block the adjustment range, thanks to special accessory inserts (can be ordered separately).

ITEM

SKTTS6

TECHNICAL CHARACTERISTICS

Max operating pressure: 10 bar
 Max exercise temperature: 110 °C
 Max differential pressure: 1 bar
 KVS Valor at 1 bar: 0,57 m³ / h
 Antifreeze (* position) : 6 °C

CONSTRUCTION AND OPERATING CHARACTERISTICS

Sensor: to expansion of liquid

Hysteresis:

Responding time (Z):

Field of inalterability:

Intermediate position:

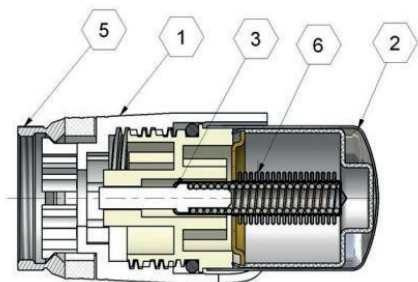
0,46 K ±0,2 K

20 min. ±7 min.

-15 °C ÷ +50 °C

Pos. "3" = 20 °C

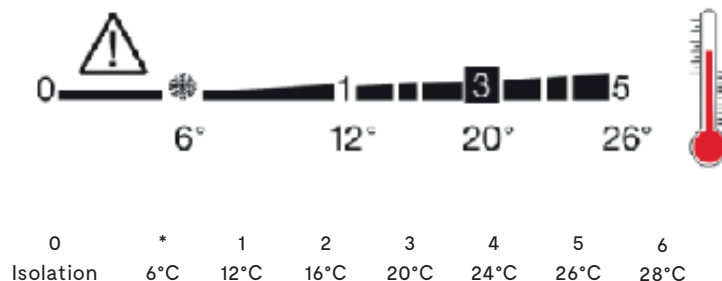
1. Liquid dilation sensor
2. Adjustment knob
3. Piston
4. Body
5. Fastening ring
6. Expansion liquid sensor



REGULATION FIELD

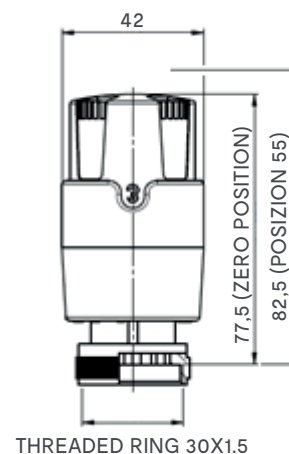
Temperature setting

Select the desired room temperature from the table and rotate the thermostatic head so that the indicator corresponds to the appropriate number. Wait at least one hour for the temperature to stabilize.



DIMENSIONAL DRAWING

Description	Thermostatic head with control and built-in sensor
Attack F	M 30x1.5
Position 5	85 mm
Position 0	79 mm
Diameter A	42 mm
	61 mm



OPERATION

The thermostatic head SKTTS6 is constituted by a sensor (6) filled with a liquid high expandability.

The liquid, which is inside the adjustment knob (2), is able to expand or reduce proportionally to the increase or decrease in ambient temperature, recording even minimal variations.

As the surrounding temperature rises, the liquid expands and, through the axial thrust movement (3), affects the position of the shutter, thus controlling the action of the valve. By closing and opening the valve it is possible to regulate the flow of the heat transfer fluid.

When the temperature drops, the opposite occurs thanks to the thrust generated by the return spring.

The thermostatic head accurately maintains the established room temperature.

The setting of the required value is obtained by turning the adjustment knob, the numbers on it correspond to one certain temperature.

The TA 1200 is classified as a "low thermal inertia" device and therefore meets the requirements provided for by the Decree of the Ministry of Economy and Finance of 19 February 2007, "Provisions on deductions for the costs of energy requalification of the existing building stock pursuant to art. 1, paragraph 349, law 27/12/2006, n. 296".

SKVAL6 (KIT)

Complete convertible kit for connection to radiators consisting of valve and lockshield.

VALVE

Convertible radiator valve body, angled. Equipped with a flow adjustment handwheel.

Finish: chrome.

CONNECTIONS: G 1/2 x 3/4 Eurocono

TECHNICAL CHARACTERISTICS

Maximum working pressure:	10 bar
Maximum operating temperature:	120 °C
Maximum differential pressure:	1 bar

CONSTRUCTIVE CHARACTERISTICS

Valve body material:	CW 617 N UNI-EN 12165-98
Shutter material:	CW 614 N UNI-EN 12164-98
Gasket material:	Peroxide EPDM
Steel parts:	Stainless steel
Knob material:	CHROME ABS



HOLDER

Angled lockshield. Tightness ensured by an o-ring and a flat gasket inside the cap.

Finish: chrome.

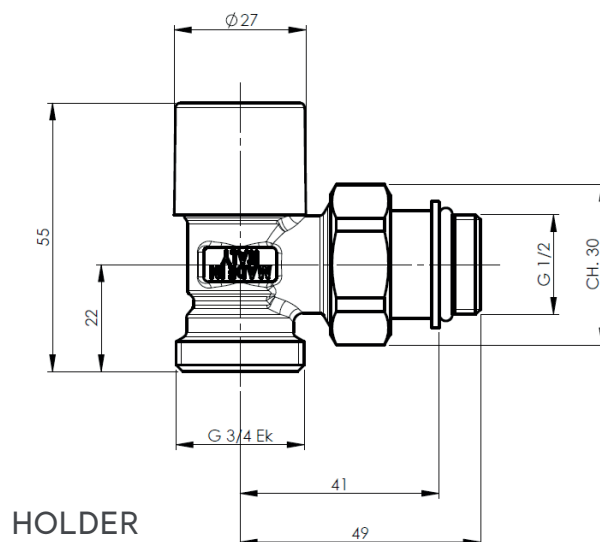
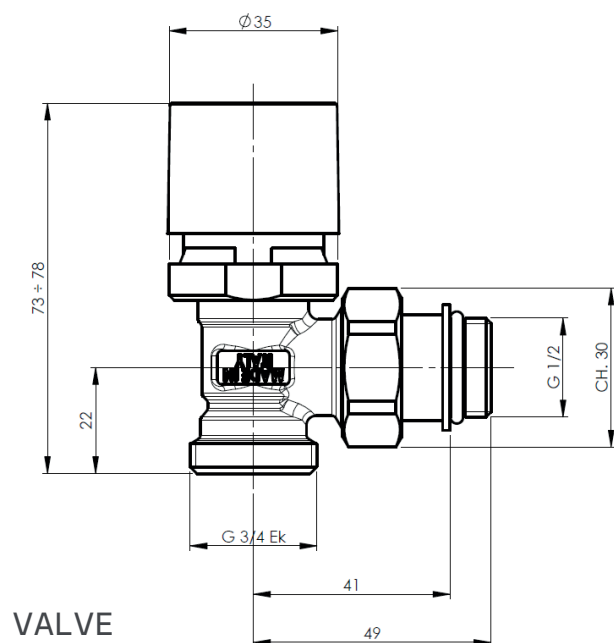
CONNECTIONS: G 1/2 x 3/4 Eurocono

TECHNICAL CHARACTERISTICS

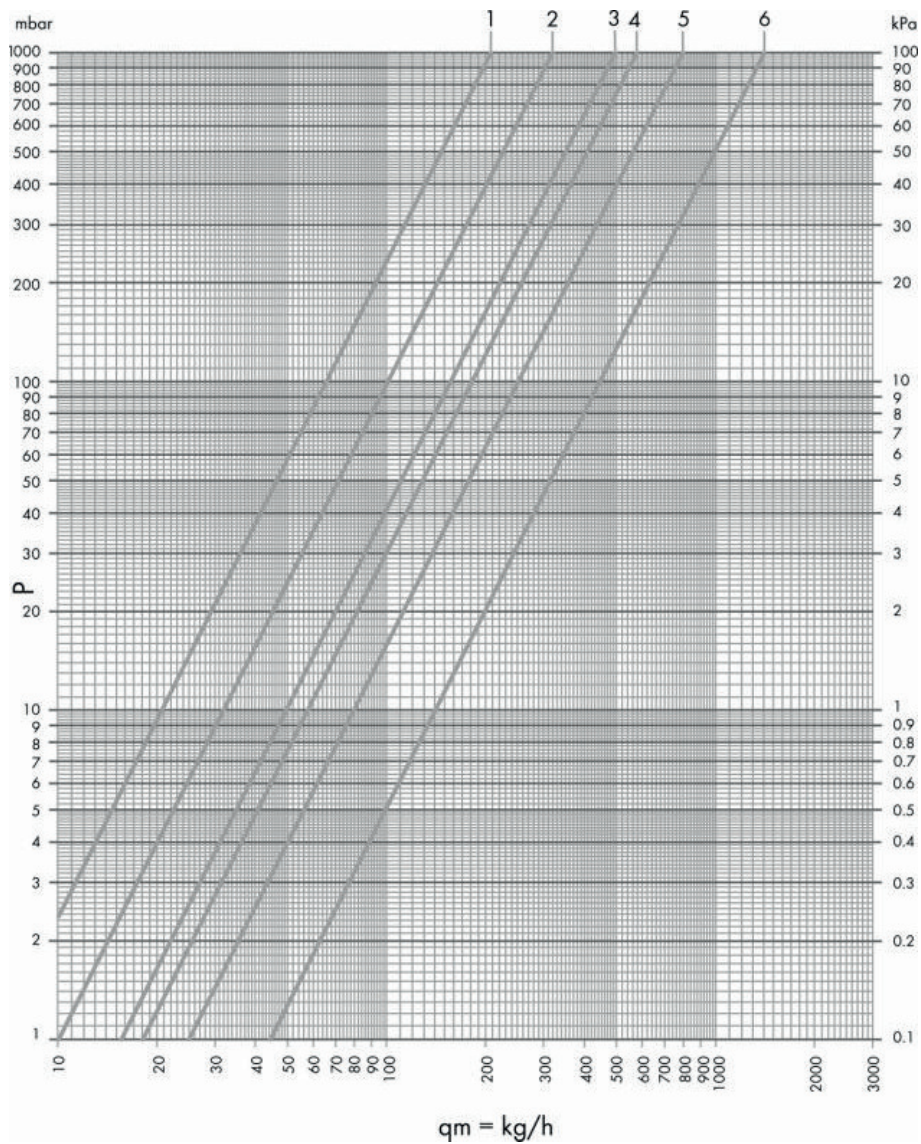
Maximum working pressure:	10 bar
Maximum exercise temperature:	120 °C
Maximum differential pressure:	1 bar

CONSTRUCTIVE CHARACTERISTICS

Valve body material:	CW 617 N UNI-EN 12165-98
Shutter material:	CW 614 N UNI-EN 12164-98
Gasket material:	Peroxide EPDM
Knob material:	Chromed ABS



FLOW CHART



Position	Kv	Kv t 1°C	Kv t 1°C
1	0,21	0,15	0,19
2	0,32	0,20	0,25
3	0,49	0,24	0,36
4	0,57	0,24	0,37
5	0,79	0,24	0,40
6	1,39	0,31	0,49

OPERATING INSTRUCTIONS

To adjust the flow rate, act on the valve handwheel.

Turning the handwheel anticlockwise increases the flow rate of the valve, to click of the handwheel signals the maximum opening of the valve. Turning the handwheel in the opposite direction reduces the flow rate of the valve until its total closure.

To adjust the lockshield, use a 10mm Allen key. Turning the key counterclockwise increases the capacity of the holder, the limit switch of the adjustment screw (safety lock) signals the maximum opening of the holder.

Turning the key in the opposite direction reduces the capacity of the lockshield until it is completely closed.

The valve can be thermostaticized, if necessary remove the manual adjustment handwheel and proceed with fixing the thermostatic head using the appropriate ring nut with M30x1.5 threaded connection.

TESTING

Caution

After carrying out the leak test of the system, it is recommended to remove the pressure.

A pressure difference between the inlet and outlet of the valve greater than 1 bar could cause the sealing o-ring to leak.