

VALVES AND HOLDERS

## THERMOSTATIC HEAD

### PRODUCT IMAGE



### DESCRIZIONE

Control device for thermo-controlled valves consisting of a container placed under the handwheel plastic, containing thermostatic liquid, sensitive to variations in ambient temperature.

Through this sensor that acts according to the opening and the valve closure, you can adjust the temperature in a room. The thermostatic head also has the possibility of limit or block the adjustment range, thanks to special accessory inserts (can be ordered separately).

### LEGISLATION

DIN EN 215:2019-12  
CEN KEYMARK SCHEME RULES FOR THERMOSTATIC RADIATOR VALVES (2020-01)



### ITEM

SKTTS7

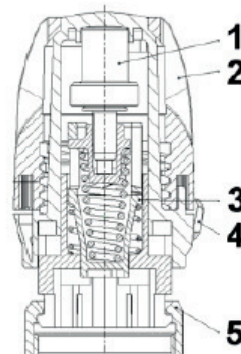
### TECHNICAL CHARACTERISTICS

Max operating pressure: 10 bar  
Max exercise temperature: 110 °C  
Max differential pressure: 1.2 bar  
KVS Valor at 1 bar: 1 m<sup>3</sup> / h  
Antifreeze ( \* position ) : 6 °C

### CONSTRUCTION AND OPERATING CHARACTERISTICS

Sensor: to expansion of liquid  
Hysteresis < 1 K  
Responding time (Z): 23 min.  
Field of inalterability: -5 °C ÷ +50 °C  
Intermediate position: Pos. "3" = 20 °C  
Head material: White ABS  
material ring: metal

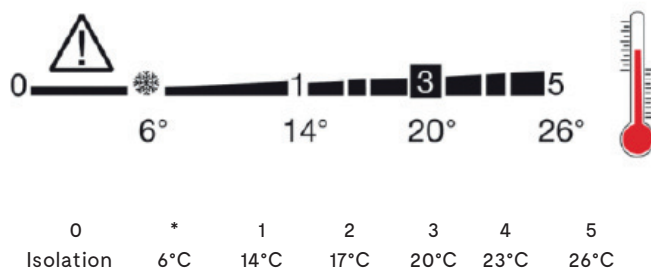
1. Liquid dilation sensor
2. Adjustment knob
3. Piston
4. Body
5. Fastening ring



## REGOLATION FIELD

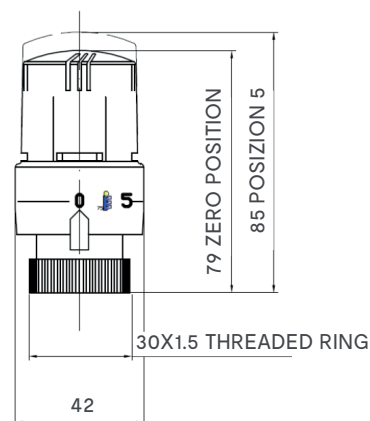
### Temperature setting

Select the desired room temperature from the table and rotate the thermostatic head so that the indicator corresponds to the appropriate number. Wait at least one hour for the temperature to stabilize.



## DIMENSIONAL DRAWING

Description	Thermostatic head with control and built-in sensor
Attack F	M 30x1.5
Position 5	85 mm
Position 0	79 mm
Diameter	42 mm
A	61 mm



# VALVE

Thermostatic valves are typically used for regulating fluid to radiators in heating systems. They are equipped with a control element that automatically intervenes on the valve opening, keeps constant, at the set value, the ambient temperature of the room in which they are installed. Thanks to the help of the heads thermostatic, the valves can make each room autonomous allowing its own temperature regulation for greater comfort and energy savings as per national and international regulations. These are equipped with a special shank with hydraulic rubber seal that allows connection to the radiator quickly and safely, without the aid of any other sealing medium.

## TECHNICAL CHARACTERISTICS

Maximum working pressure:	10 bar
Maximum operating temperature:	120 °C
Maximum differential pressure:	1 bar

## CONSTRUCTION CHARACTERISTICS

Valve body material:	CW 617 N UNI-EN 12165-98
Shutter material:	CW 614 N UNI-EN 12164-98
Gasket material:	EPDM peroxide
Materiale selettore:	Acetal
Steel parts:	Stainless steel
Knob material:	White ABS
Galvanic treatments:	Nickel finish

# HOLDER

Angled lockshield. Tightness ensured by an o-ring and a flat gasket inside the cap.

## TECHNICAL CHARACTERISTICS

Maximum working pressure:	10 bar
Maximum exercise temperature:	120 °C
Maximum differential pressure:	1 bar

## CONSTRUCTIVE CHARACTERISTICS

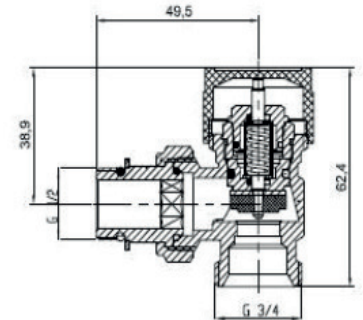
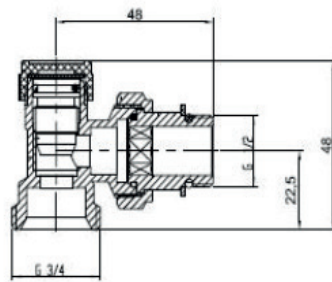
Valve body material:	CW 617 N UNI-EN 12165-98
Shutter material:	CW 614 N UNI-EN 12164-98
Gasket material:	Peroxide EPDM
Knob material:	White ABS
Galvanic treatments:	Nickel finish



## TYPE ¾ EUROCONO for copper and multilayer

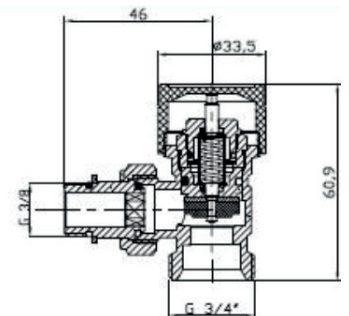
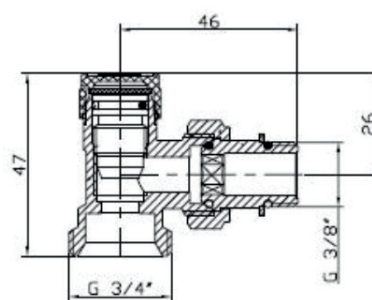
### SK VAT5

THERMOSTATIC VALVE SQUARE 1/2 x 3/4 with protective handwheel and soft-sealed nozzle.

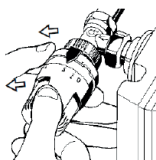


### SK VAT7

THERMOSTATIC VALVE SQUARE 3/8 x 3/4 with protective handwheel and soft seal nozzle.



## OPERATING INSTRUCTIONS



Before proceeding to the installation of the thermostatic kit, move the head selector to position "5", to facilitate subsequent installation operations.

Remove from the valve the manual adjustment handwheel, unscrewing it counterclockwise.

Place the thermostatic head on the valve body, centering the hexagon of the hat and leaving the window reference to the adjustment in the "5" facing position upwards.

Screw on the thread of the valve body the metal knurled ring of the thermostatic head up to its locking, then place the selector to the desired temperature.

After assembly is recommended to rotate the position-numbered knob from "5" position to position "\*" for settling parts.

## WARNINGS

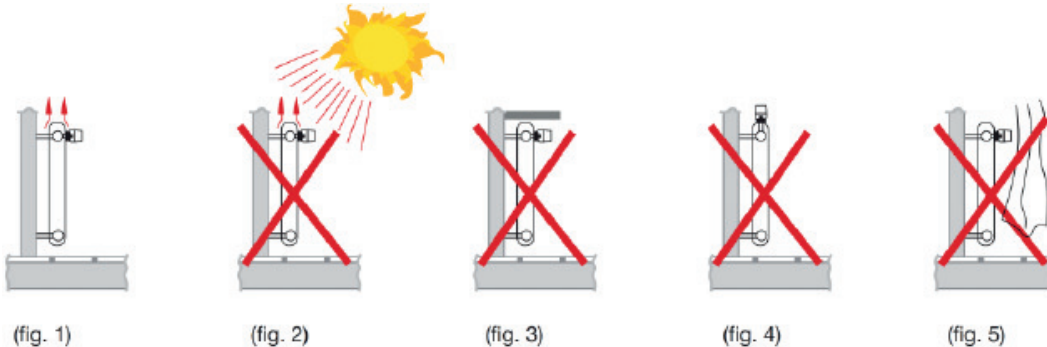
Thermostatic kits shall be installed outside the flow heat surrounding the heating elements (Fig. 1) and not affected by sunlight (fig. 2).

Therefore, avoid installing the thermostatic head under the shelves (fig. 3), inside the flow hot air (Fig. 4) or behind curtains (Fig. 5).

These installations are not correct as the head thermostatic would estimate a temperature different from that present in the room.

For proper operation of the plant it is recommended to install, between return, a pressure relief valve.

To avoid excessive noise, avoid the use of Thermostatics valves with  $\Delta p$  values exceeding 0.2-0.25 bar.



It is of fundamental importance that thermostatic kits do not are then installed under barriers, such as shelves, curtains, movable or mounted vertically.

These obstacles can store heat and thus distort the ambient temperature detection