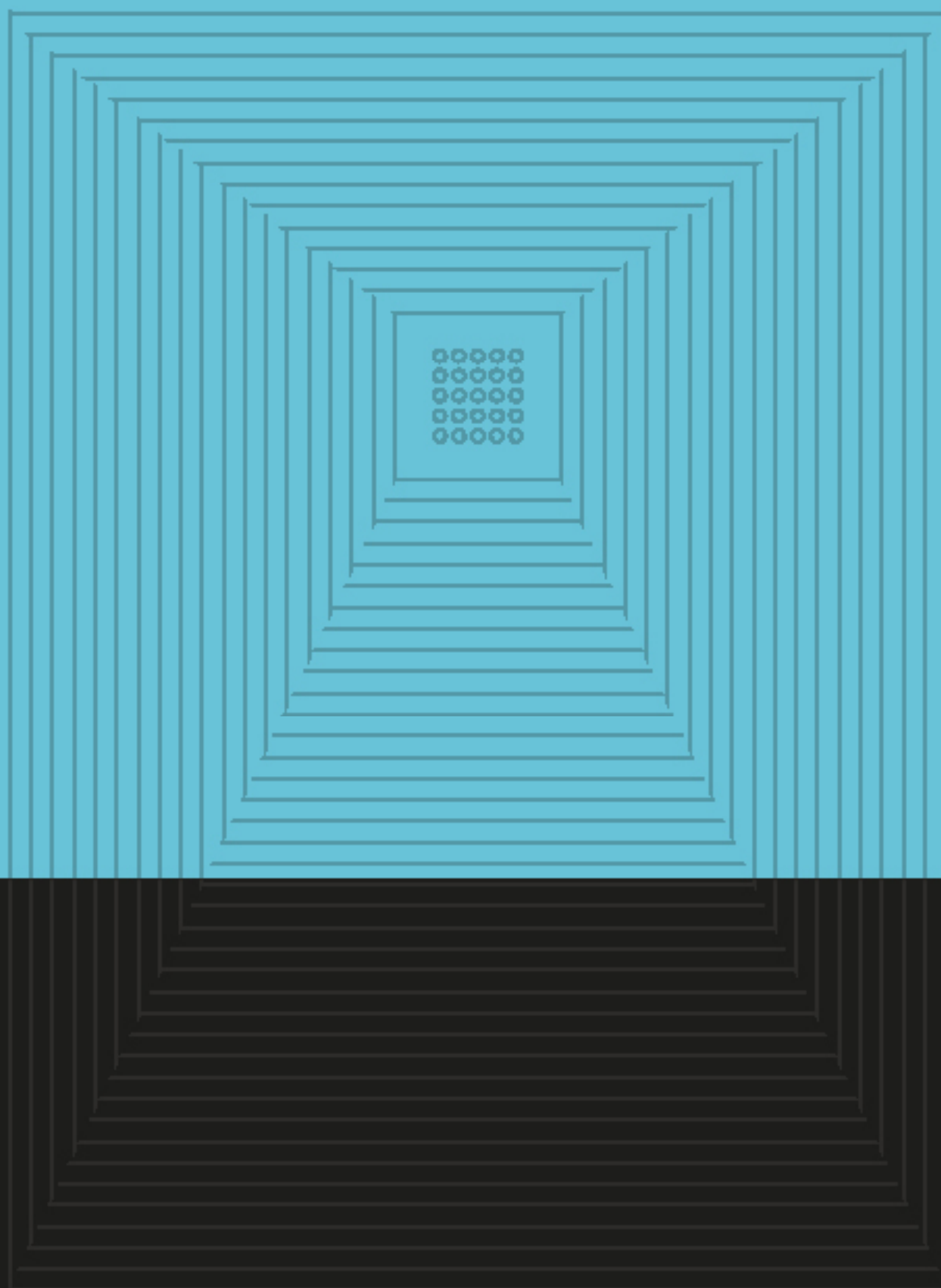


**BATHROOM
EXPERIENCE**

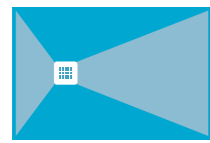
ERCOS



LISTINO PREZZI
PRICE LIST

1. GIUGNO 2024
JUNE 1ST, 2024

**PIATTI DOCCIA E
CANALINE**
SHOWER TRAYS AND
DRAIN SYSTEM



STONE
PAG 11

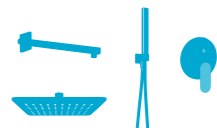


CANALINE
DRAIN SYSTEMS
PAG 23

SOLUZIONI DOCCIA
SHOWER SOLUTIONS



SOLUZIONI DOCCIA
SENZA MISCELATORE
SHOWER SOLUTIONS
WITHOUT MIXER
PAG 29



SOLUZIONI DOCCIA
CON MISCELATORE
SHOWER SOLUTIONS WITH
MIXER
PAG 33

**SOFFIONI, BRACCI E
ACCESSORI**
SHOWER HEADS, ARMS
AND COMPLEMENTS



SOFFIONI
SHOWER HEADS
PAG 46



BRACCI DOCCIA
SHOWER ARMS
PAG 56



KIT DOCCIA
SHOWER KITS
PAG 60



ACCESSORI DOCCIA
SHOWERS' ACCESSORIES
PAG 65

**COLONNE ED ASTE
DOCCIA**
SHOWER COLUMNS AND
SHOWER RAILS

NEW

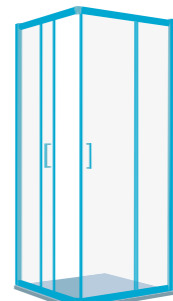


COLONNE DOCCIA
SHOWER COLUMNS
PAG 73

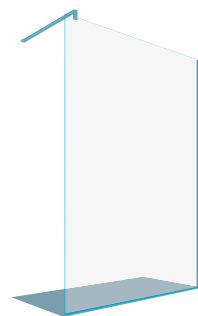


ASTE DOCCIA
SHOWER RAILS
PAG 99

BOX DOCCIA
SHOWER ENCLOSURE



GOLD
PAG 107



REX
PAG 121

MISCELATORI
MIXERS

NEW



STILOX
PAG 127

NEW



VIKTOR
PAG 143



VERSILIA
PAG 157



ITALIA R
PAG 169

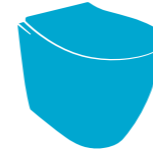


ECOSTYLE
PAG 181



CUCINA
KITCHEN TAPS
PAG 189

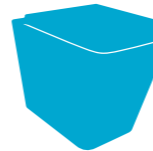
SANITARI
WC AND BIDET



KITE
PAG 197



SURF
PAG 203

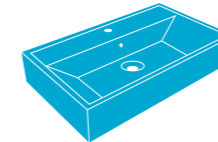


WAVE
PAG 209

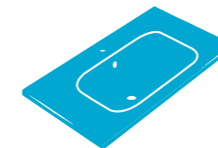
**LAVABI,
ACCESSORI**
BASINS AND ACCESSORIES



LAVABI D'APPOGGIO
COUNTERTOP BASINS
PAG 217



LAVABI SOSPESI
FLOATING BASINS
PAG 225

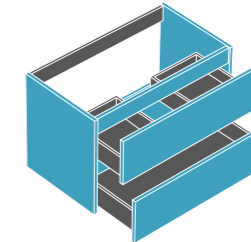


LAVABI DA MOBILE
FURNITURES BASINS
PAG 229

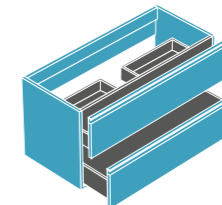


ACCESSORI
ACCESSORIES
PAG 233

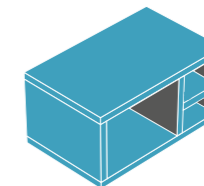
MOBILI
FURNITURE



SMILE
PAG 241



VITO
PAG 247



TEO
PAG 261

SPECCHI
MIRRORS



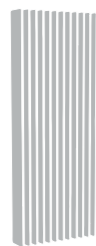
PAG 274

VASCHE
BATHTUBS



VASCHE IN ACRILICO
ACRYLIC BATHTUBS
PAG 279

**RADIATORI
MULTICOLONNA**
MULTICOLUMN RADIATOR



COMBY
PAG 289

**SCALDASALVIETTE
IDRAULICI**
HYDRAULIC TOWEL
WARMERS



MONICA
PAG 337



TEKNO
PAG 343



SQUARE
PAG 349



OPERA
PAG 357

**SCALDASALVIETTE
ELETTRICI**
ELECTRIC TOWEL WARMERS



MONICA ELETTRICO
ELECTRIC MONICA
PAG 371



TEKNO ELETTRICO
ELECTRIC TEKNO
PAG 377



OPERA ELETTRICO
ELECTRIC OPERA
PAG 383

RADIATORI GHISA
CAST IRON RADIATOR



LIBERTY
PAG 316



COLONNINE
PAG 322



E-100
PAG 328

**COMPLEMENTI E
ACCESSORI**
COMPLEMENTS AND
ACCESSORIES



VALVOLE D'ARREDO
RADIATOR VALVES
PAG 388



ADATTATORI
ADAPTERS
PAG 390



RADIATORI
MULTICOLONNA
MULTICOLUMN RADIATOR
PAG 391



SCALDASALVIETTE
TOWEL WARMERS
PAG 394



ELETTRIFICAZIONE
ELECTRIFICATION
PAG 395



KIT FUNZIONAMENTO
MISTO
MIXED OPERATION KIT
PAG 398

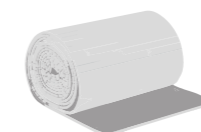


RADIATORI IN GHISA
CAST IRON RADIATOR
PAG 399

**HEAT
ENERGY**



LINEA PAVIMENTO
FLOORING LINE
PAG 406



LINEA INDUSTRIA E
ACCESSORI
INDUSTRY LINE AND
ACCESSORIES
PAG 420



REGOLAZIONE
CLIMATICA
CLIMATE CONTROL
PAG 428

VMC



VMC DECENTRALIZZATA
DECENTRALIZED VMC
PAG 434

PIATTI DOCCIA E CANALINE
SHOWER TRAYS AND DRAIN SYSTEMS

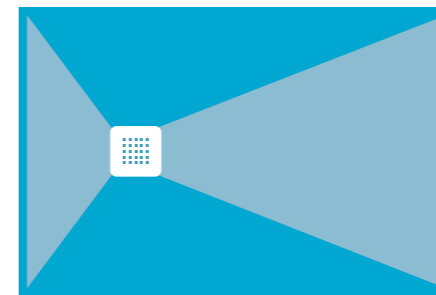
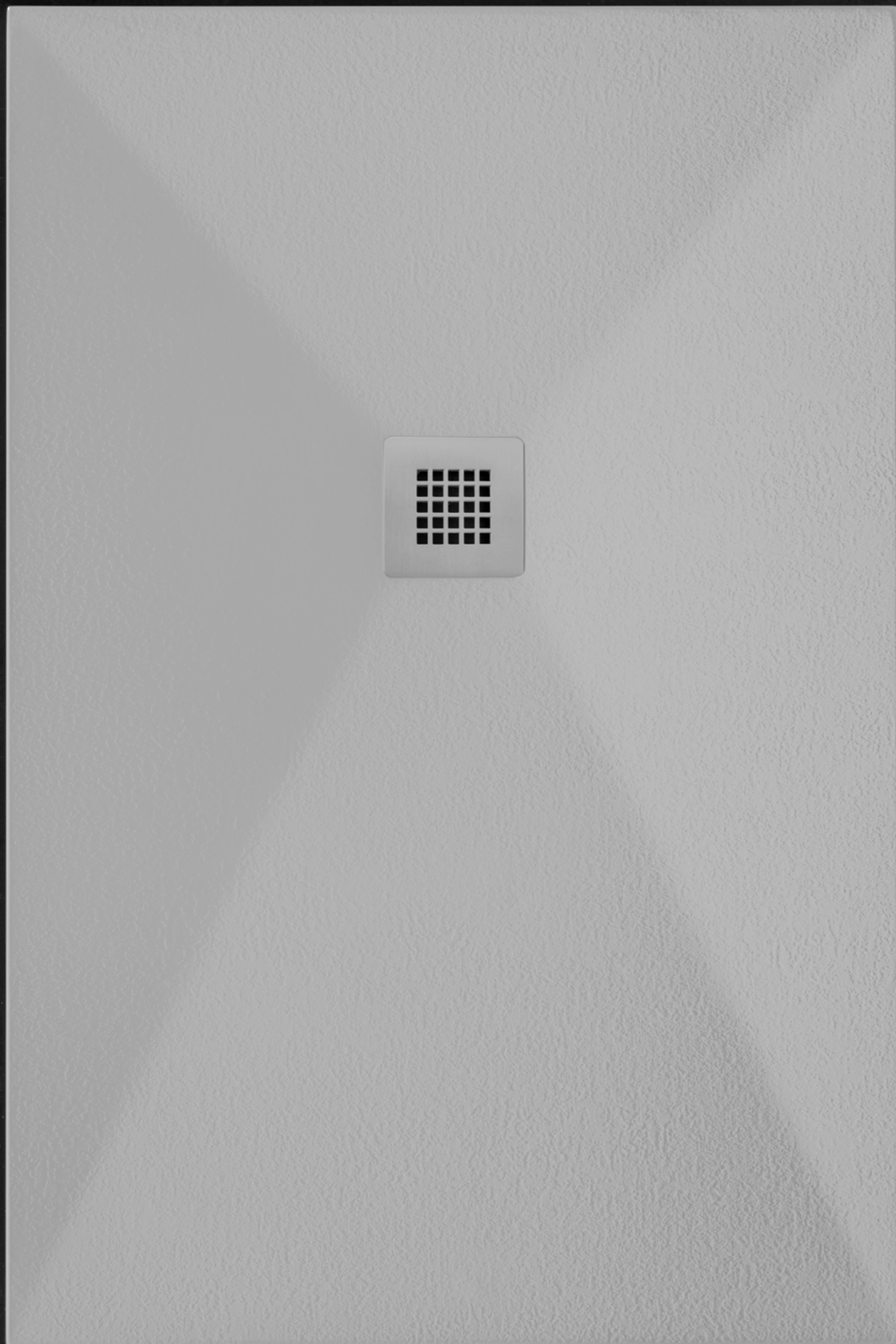


PIATTI DOCCIA
SHOWER TRAYS
STONE

11

CANALINE
DRAIN SYSTEMS

23

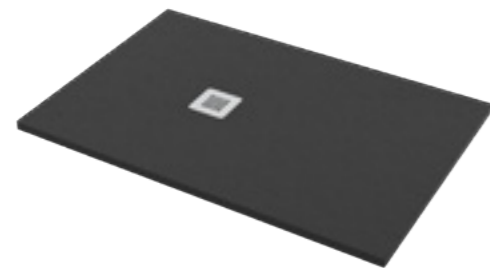


STONE

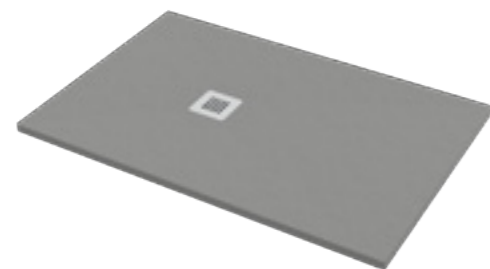
STONE



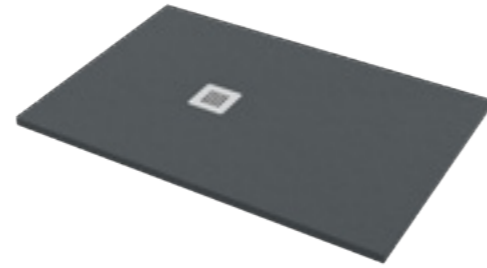
○
Bianco Opaco
White Matt
O



●
Nero Opaco
Black Matt
K



●
Grigio Opaco
Grey Matt
G

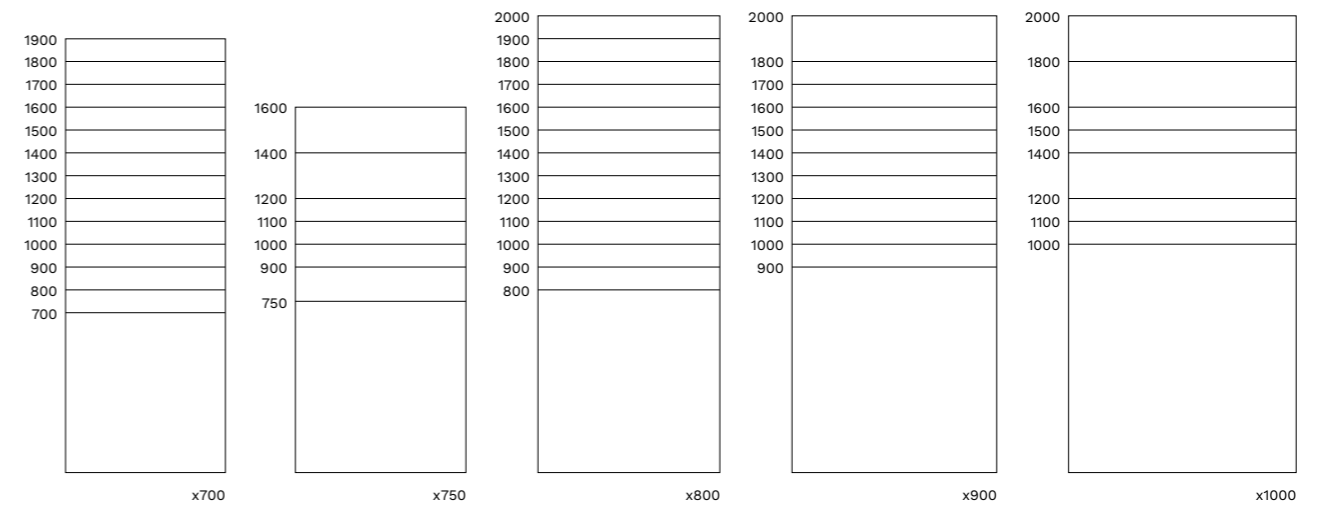


●
Grafite Opaco
Graphite Matt
F



●
Sabbia Opaco
Sand Matt
S

STONE



CARATTERISTICHE | TECHNICAL SPECS

Materiale

Il composito di marmo è un materiale composto di resina e cariche minerali, rivestito da Gelcoat

Material

Composite marble is a composed material of resin and mineral fillers, coated with Gelcoat

Specifiche

Piatto doccia ultrapiatto con texture effetto pietra
Superficie antiscivolo Classe A (DIN 51097)
Disponibile in **54 misure e 5 colori**

Specifications

Ultra-flat shower tray with slate effect texture
Anti-slip surface Classification A (DIN 51097)
Available in **54 sizes and 5 colors**

Installazione

A filo pavimento o in appoggio.

Installation

Inset or lay-on.

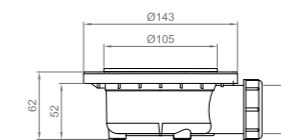
Copripiletta

Griglia in acciaio inox spazzolato inclusa

Waste cover

Brushed stainless steel grid included

DA COMPLETARE CON | TO BE COMPLETED WITH

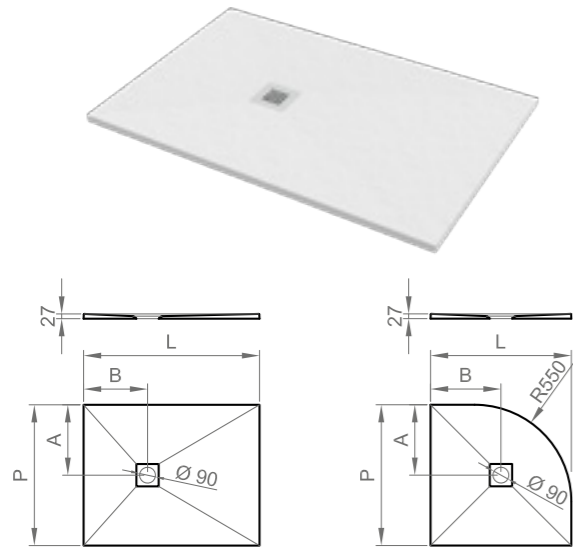


Piletta sifonata ispezionabile, foro piatto doccia Ø 90 mm, senza copertura

Serviceable shower waste with trap for Ø 90 mm shower tray hole

BR PIL 3
€ 22,75

STONE BIANCO | STONE WHITE

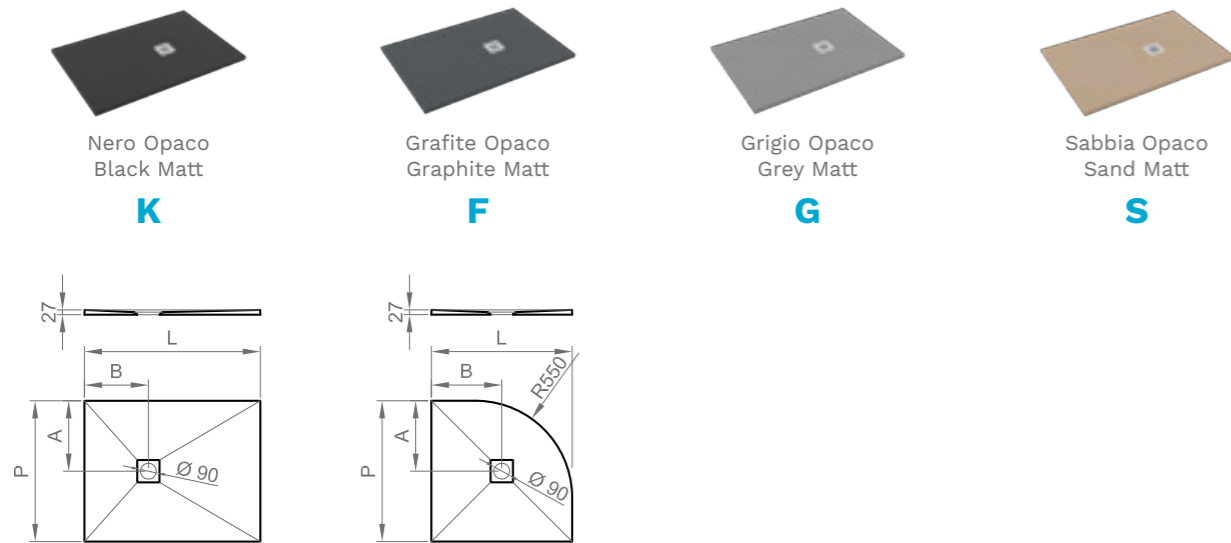


Dimensioni (LxP mm) Dimension (LxP mm)	Peso kg Weight kg	A mm	B mm	Codice Code	€
700x700	23	350	350	BP MAR O STON 7070	186,68
800x700	27	350	400	BP MAR O STON 7080	201,84
900x700	30	350	350	BP MAR O STON 7090	215,43
1000x700	33	350	350	BP MAR O STON 7010	229,25
1100x700	37	350	450	BP MAR O STON 7011	242,14
1200x700	40	350	450	BP MAR O STON 7012	256,99
1300x700	44	350	450	BP MAR O STON 7013	270,88
1400x700	47	350	450	BP MAR O STON 7014	284,71
1500x700	51	350	450	BP MAR O STON 7015	299,62
1600x700	54	350	550	BP MAR O STON 7016	312,44
1700x700	57	350	550	BP MAR O STON 7017	326,36
1800x700	61	350	550	BP MAR O STON 7018	341,27
1900x700	65	350	550	BP MAR O STON 7019	355,50
750x750	27	375	375	BP MAR O STON 7575	202,24
900x750	32	375	350	BP MAR O STON 7590	224,72
1000x750	36	375	350	BP MAR O STON 7510	239,35
1100x750	39	375	450	BP MAR O STON 7511	255,09
1200x750	43	375	450	BP MAR O STON 7512	269,76
1400x750	51	375	450	BP MAR O STON 7514	300,04
1600x750	58	375	550	BP MAR O STON 7516	329,27
800x800	30	400	400	BP MAR O STON 8080	216,94
900x800	34	400	350	BP MAR O STON 8090	233,79
1000x800	38	400	350	BP MAR O STON 8010	248,28
1100x800	43	400	450	BP MAR O STON 8011	263,79
1200x800	47	400	450	BP MAR O STON 8012	280,47

STONE BIANCO | STONE WHITE

Dimensioni (LxP mm) Dimension (LxP mm)	Peso kg Weight kg	A mm	B mm	Codice Code	€
1300x800	50	400	450	BP MAR O STON 8013	297,24
1400x800	54	400	450	BP MAR O STON 8014	312,16
1500x800	58	400	450	BP MAR O STON 8015	328,42
1600x800	62	400	550	BP MAR O STON 8016	344,04
1700x800	66	400	550	BP MAR O STON 8017	360,79
1800x800	70	400	550	BP MAR O STON 8018	376,28
1900x800	73	400	550	BP MAR O STON 8019	391,97
2000x800	77	400	550	BP MAR O STON 8020	407,50
900x900	39	450	450	BP MAR O STON 9090	249,70
1000x900	43	450	350	BP MAR O STON 9010	268,18
1100x900	47	450	450	BP MAR O STON 9011	285,47
1200x900	52	450	450	BP MAR O STON 9012	304,02
1300x900	56	450	450	BP MAR O STON 9013	321,29
1400x900	61	450	450	BP MAR O STON 9014	339,64
1500x900	65	450	450	BP MAR O STON 9015	356,97
1600x900	70	450	550	BP MAR O STON 9016	375,47
1700x900	74	450	550	BP MAR O STON 9017	392,86
1800x900	78	450	550	BP MAR O STON 9018	411,27
2000x900	87	450	550	BP MAR O STON 9020	445,69
1000x1000	48	500	500	BP MAR O STON 1010	288,03
1100x1000	53	500	450	BP MAR O STON 1011	307,83
1200x1000	58	500	450	BP MAR O STON 1012	327,84
1400x1000	68	500	450	BP MAR O STON 1014	366,84
1500x1000	72	500	450	BP MAR O STON 1015	386,96
1600x1000	77	500	550	BP MAR O STON 1016	405,88
1800x1000	87	500	550	BP MAR O STON 1018	444,88
2000x1000	96	500	550	BP MAR O STON 1020	484,92
Semitondo Semicircular					
800x800	28	400	400	BP MAR O STOS 8080	212,66
900x900	36	450	450	BP MAR O STOS 9090	244,04

STONE COLOR



Dimensioni (LxP mm) Dimension (LxP mm)	Peso kg Weight kg	A mm	B mm	Codice Code	€
700x700	23	350	350	BP MAR _ STON 7070	211,19
800x700	27	350	400	BP MAR _ STON 7080	228,10
900x700	30	350	350	BP MAR _ STON 7090	243,15
1000x700	33	350	350	BP MAR _ STON7010	258,46
1100x700	37	350	450	BP MAR _ STON 7011	273,57
1200x700	40	350	450	BP MAR _ STON7012	289,34
1300x700	44	350	450	BP MAR _ STON 7013	305,39
1400x700	47	350	450	BP MAR _ STON7014	320,17
1500x700	51	350	450	BP MAR _ STON 7015	336,69
1600x700	54	350	550	BP MAR _ STON 7016	351,03
1700x700	57	350	550	BP MAR _ STON 7017	366,46
1800x700	61	350	550	BP MAR _ STON 7018	382,96
1900x700	65	350	550	BP MAR _ STON 7019	398,86
750x750	27	375	375	BP MAR _ STON 7575	228,40
900x750	32	375	350	BP MAR _ STON 7590	253,50
1000x750	36	375	350	BP MAR _ STON7510	269,69
1100x750	39	375	450	BP MAR _ STON 7511	287,11
1200x750	43	375	450	BP MAR _ STON7512	303,49
1400x750	51	375	450	BP MAR _ STON7514	337,15
1600x750	58	375	550	BP MAR _ STON 7516	369,66
800x800	30	400	400	BP MAR _ STON 8080	244,82
900x800	34	400	350	BP MAR _ STON 8090	263,45
1000x800	38	400	350	BP MAR _ STON 8010	279,65
1100x800	43	400	450	BP MAR _ STON 8011	297,61
1200x800	47	400	450	BP MAR _ STON 8012	315,39

STONE COLOR

Dimensioni (LxP mm) Dimension (LxP mm)	Peso kg Weight kg	A mm	B mm	Codice Code	€
1300x800	50	400	450	BP MAR _ STON 8013	334,61
1400x800	54	400	450	BP MAR _ STON 8014	350,73
1500x800	58	400	450	BP MAR _ STON 8015	380,69
1600x800	62	400	550	BP MAR _ STON 8016	386,02
1700x800	66	400	550	BP MAR _ STON 8017	404,54
1800x800	70	400	550	BP MAR _ STON 8018	421,96
1900x800	73	400	550	BP MAR _ STON 8019	439,32
2000x800	77	400	550	BP MAR _ STON 8020	456,52
900x900	39	450	450	BP MAR _ STON 9090	281,21
1000x900	43	450	350	BP MAR _ STON 9010	301,77
1100x900	47	450	450	BP MAR _ STON 9011	322,89
1200x900	52	450	450	BP MAR _ STON 9012	341,54
1300x900	56	450	450	BP MAR _ STON 9013	361,43
1400x900	61	450	450	BP MAR _ STON 9014	381,19
1500x900	65	450	450	BP MAR _ STON 9015	400,36
1600x900	70	450	550	BP MAR _ STON 9016	421,08
1700x900	74	450	550	BP MAR _ STON 9017	440,30
1800x900	78	450	550	BP MAR _ STON 9018	460,78
2000x900	87	450	550	BP MAR _ STON 9020	499,00
1000x1000	48	500	500	BP MAR _ STON 1010	323,82
1100x1000	53	500	450	BP MAR _ STON 1011	345,85
1200x1000	58	500	450	BP MAR _ STON 1012	368,09
1400x1000	68	500	450	BP MAR _ STON 1014	411,46
1500x1000	72	500	450	BP MAR _ STON 1015	433,70
1600x1000	77	500	550	BP MAR _ STON 1016	454,75
1800x1000	87	500	550	BP MAR _ STON 1018	498,12
2000x1000	96	500	550	BP MAR _ STON 1020	542,63
Semitondo Semicircular					
800x800	28	400	400	BP MAR _ STOS 8080	232,96
900x900	36	450	450	BP MAR _ STOS 9090	275,03

STONE SU MISURA | STONE CUSTOMIZED

Personalizza le dimensioni dei piatti doccia: scarica il nostro modulo scansionando o cliccando il QR code, compilalo e invialo a ordini@ercos.it

Customize the dimensions of the shower trays: download our form by scanning or clicking the QR code, fill it in and send it to export@ercos.it



Per scegliere il piatto doccia di partenza, fare riferimento alla tabella seguente: la misura è quella immediatamente superiore a quella desiderata.

Use following table to choose the reference shower tray's dimensions.

Dimensioni (LxP mm) Dimension (LxP mm)	Codice Code	€ Bianco € White	€ Color
700x700	BP MAR _ STTN 7070	311,48	335,99
800x700	BP MAR _ STTN 7080	326,64	352,90
900x700	BP MAR _ STTN 7090	340,23	367,95
1000x700	BP MAR _ STTN 7010	354,05	383,26
1100x700	BP MAR _ STTN 7011	366,94	398,37
1200x700	BP MAR _ STTN 7012	381,79	414,14
1300x700	BP MAR _ STTN 7013	395,68	430,19
1400x700	BP MAR _ STTN 7014	409,51	444,97
1500x700	BP MAR _ STTN 7015	424,42	461,49
1600x700	BP MAR _ STTN 7016	437,24	475,83
1700x700	BP MAR _ STTN 7017	451,16	491,26
1800x700	BP MAR _ STTN 7018	466,07	507,76
1900x700	BP MAR _ STTN 7019	480,30	523,66
750x750	BP MAR _ STTN 7575	327,04	353,20
900x750	BP MAR _ STTN 7590	349,52	378,30
1000x750	BP MAR _ STTN 7510	364,15	394,49
1100x750	BP MAR _ STTN 7511	379,89	411,91
1200x750	BP MAR _ STTN 7512	394,56	428,29
1400x750	BP MAR _ STTN 7514	424,84	461,95
1600x750	BP MAR _ STTN 7516	454,07	494,46
800x800	BP MAR _ STTN 8080	341,74	369,62

STONE SU MISURA | STONE CUSTOMIZED

Dimensioni (LxP mm) Dimension (LxP mm)	Codice Code	€ Bianco € White	€ Color
900x800	BP MAR _ STTN 8090	358,59	388,25
1000x800	BP MAR _ STTN 8010	373,08	404,45
1100x800	BP MAR _ STTN 8011	388,59	422,41
1200x800	BP MAR _ STTN 8012	405,27	440,19
1300x800	BP MAR _ STTN 8013	422,04	459,41
1400x800	BP MAR _ STTN 8014	436,96	475,53
1500x800	BP MAR _ STTN 8015	453,22	505,49
1600x800	BP MAR _ STTN 8016	468,84	510,82
1700x800	BP MAR _ STTN 8017	485,59	529,34
1800x800	BP MAR _ STTN 8018	501,08	546,76
1900x800	BP MAR _ STTN 8019	516,77	564,12
2000x800	BP MAR _ STTN 8020	532,30	581,32
900x900	BP MAR _ STTN 9090	374,50	406,01
1000x900	BP MAR _ STTN 9010	392,98	426,57
1100x900	BP MAR _ STTN 9011	410,27	447,69
1200x900	BP MAR _ STTN 9012	428,82	466,34
1300x900	BP MAR _ STTN 9013	446,09	486,23
1400x900	BP MAR _ STTN 9014	464,44	505,99
1500x900	BP MAR _ STTN 9015	481,77	525,16
1600x900	BP MAR _ STTN 9016	500,27	545,88
1700x900	BP MAR _ STTN 9017	517,66	565,10
1800x900	BP MAR _ STTN 9018	536,07	585,58
2000x900	BP MAR _ STTN 9020	570,49	623,80
1000x1000	BP MAR _ STTN 1010	412,83	448,62
1100x1000	BP MAR _ STTN 1011	432,63	470,65
1200x1000	BP MAR _ STTN 1012	452,64	492,89
1400x1000	BP MAR _ STTN 1014	491,64	536,26
1500x1000	BP MAR _ STTN 1015	511,76	558,50
1600x1000	BP MAR _ STTN 1016	530,68	579,55
1800x1000	BP MAR _ STTN 1018	569,68	622,92
2000x1000	BP MAR _ STTN 1020	609,72	667,43

STONE - ACCESSORI | STONE - ACCESSORIES



Acciaio Spazzolato
Brushed Steel



Bianco Opaco
White Matt

W



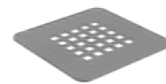
Nero Opaco
Black Matt

K



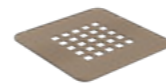
Grafite Opaco
Graphite Matt

F



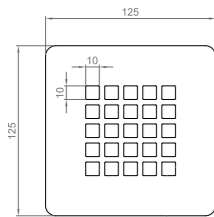
Grigio Opaco
Grey Matt

G



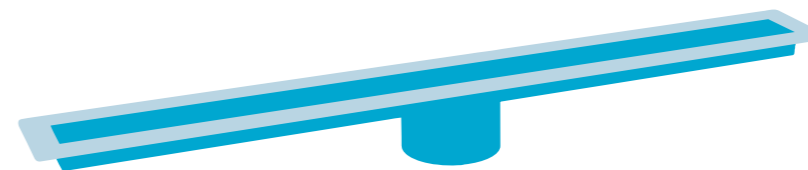
Sabbia Opaco
Sand Matt

S



Dimensioni mm Dimension mm	Descrizione Description	Finitura Finishing	Codice Code	€
125x125	Griglia copripiletta Waste cover	Acciaio Spazzolato Brushed Steel	BP RIC C GSTO	5,20
125x125	Griglia copripiletta Waste cover	Color Coloured	BP GRI _ STON	6,24





CANALINE **DRAIN SYSTEMS**

SOLUZIONI DOCCIA
SHOWER SOLUTIONS

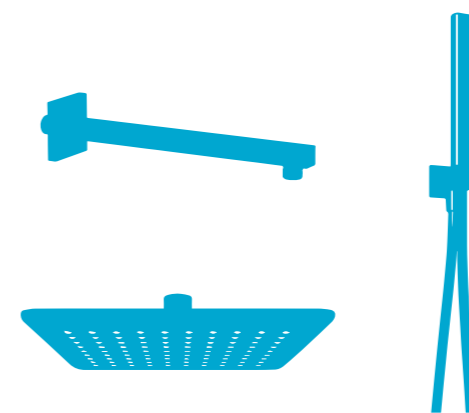
NEW

**SOLUZIONI DOCCIA SENZA
MISCELATORE**
SHOWER SOLUTIONS WITHOUT MIXER

29

**SOLUZIONI DOCCIA CON
MISCELATORE**
SHOWER SOLUTIONS WITH MIXER

33



SOLUZIONI DOCCIA SENZA MISCELATORE

SHOWER SOLUTIONS WITHOUT MIXER

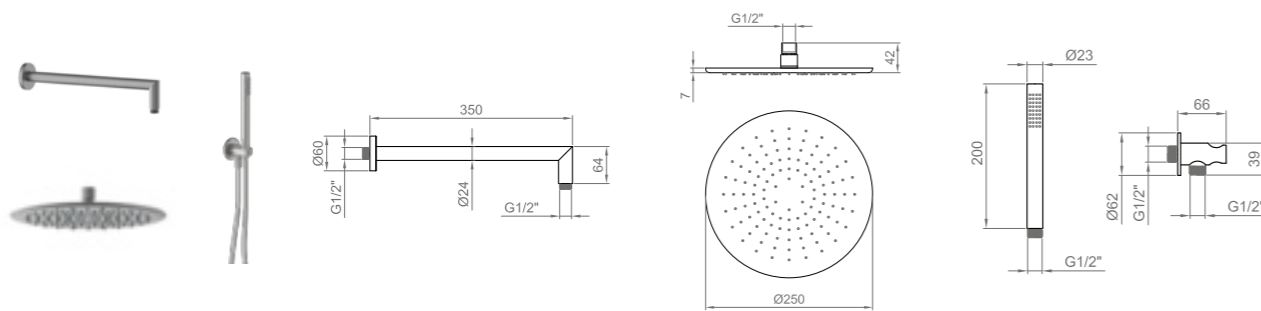
LE SOLUZIONI DOCCIA SENZA MISCELATORE SI COMPONGONO DI:

- Soffione in acciaio inox
- Braccio doccia
- Supporto fisso per doccetta con presa d'acqua integrata
- Flessibile in PVC antitorsione 1500 mm
- Doccetta

THE SHOWER SOLUTIONS WITHOUT MIXER INCLUDE:

- Stainless steel shower head
- Shower arm
- Wall outlet with hand shower holder
- Anti-twist PVC hose 1500 mm
- Hand shower

STILOX



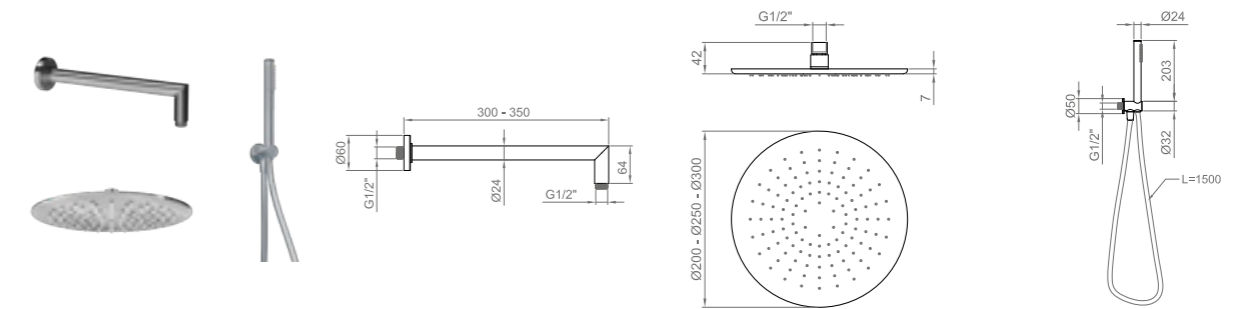
Soffione e braccio doccia in acciaio inox. Supporto fisso per doccetta con presa d'acqua integrata, flessibile in PVC antitorsione 1500 mm, doccetta in acciaio inox

Shower head and shower arm in stainless steel. Wall outlet with hand shower holder, 1500 mm anti-twist hose and stainless steel stick hand shower.

Dim. soffione mm Shower head size mm	Dim. braccio mm Shower arm's length mm	Finitura Finishing	Codice Code	€
Ø 250	L 350	Acciaio Spazzolato Brushed Steel	BN STL X KT21	319,43

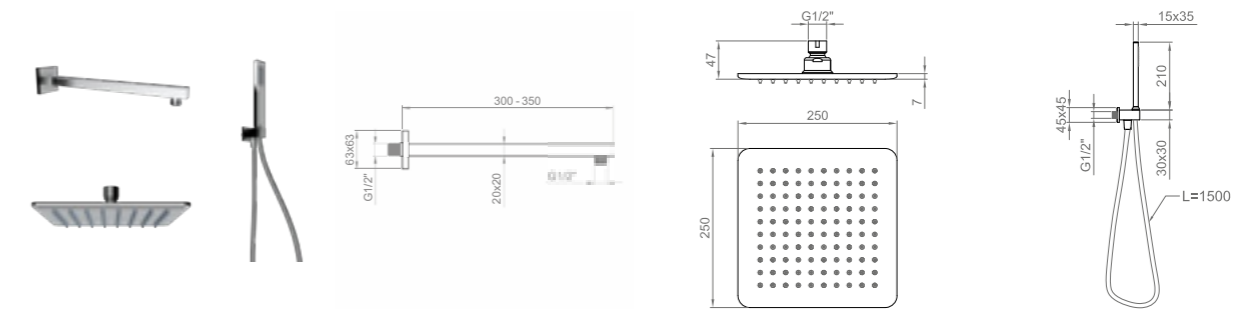
UNIVERSALI | UNIVERSAL

ROUND

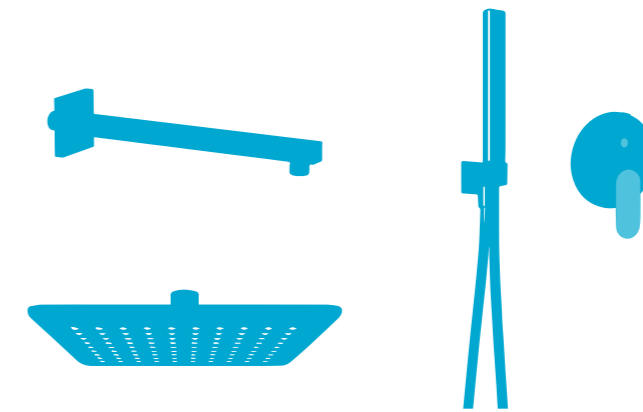


Dim. soffione mm Shower head size mm	Dim. braccio mm Shower arm's length mm	Finitura Finishing	Codice Code	€
Ø 200	L 300	Cromo Chrome	BN KIS C 0018	149,62
Ø 200	L 350	Cromo Chrome	BN KIS C 0013	153,57
Ø 250	L 300	Cromo Chrome	BN KIS C 0019	167,17
Ø 250	L 350	Cromo Chrome	BN KIS C 0014	171,11
Ø 250	L 350	Nero Opaco Black Matt	BN KIS K 0014	217,25
Ø 300	L 350	Cromo Chrome	BN KIS C 0015	192,64

SQUARE



Dim. soffione mm Shower head size mm	Dim. braccio mm Shower arm's length mm	Finitura Finishing	Codice Code	€
200x200	L 300	Cromo Chrome	BN KIS C 0016	177,41
200x200	L 350	Cromo Chrome	BN KIS C 0010	180,93
250x250	L 300	Cromo Chrome	BN KIS C 0017	198,38
250x250	L 350	Cromo Chrome	BN KIS C 0011	201,90
250x250	L 350	Nero Opaco Black Matt	BN KIS K 0011	253,14
300x300	L 350	Cromo Chrome	BN KIS C 0012	222,70



SOLUZIONI DOCCIA CON MISCELATORE

SHOWER SOLUTIONS WITH MIXER



LE SOLUZIONI DOCCIA CON MISCELATORE E SOFFIONE A SBALZO SI COMPONGONO DI:

- Soffione ultrapiatto in acciaio inox con erogazione effetto PIOGGIA/CASCATA e sistema di attacco a muro
- Supporto fisso per doccetta con presa d'acqua integrata
- Flessibile in PVC antitorsione 1500 mm
- Doccetta
- Miscelatore incasso 2 o 3 vie

THE SHOWER SOLUTIONS WITH MIXER AND CANTILEVERD SHOWER HEAD INCLUDE:

- Ultra flat stainless steel rain/waterfall shower head with wall mounting system
- Wall outlet with hand shower holder
- Anti-twist PVC hose 1500 mm
- Hand shower
- Concealed 2 or 3 ways shower mixer

LE SOLUZIONI DOCCIA CON MISCELATORE E SOFFIONE A MURO SI COMPONGONO DI:

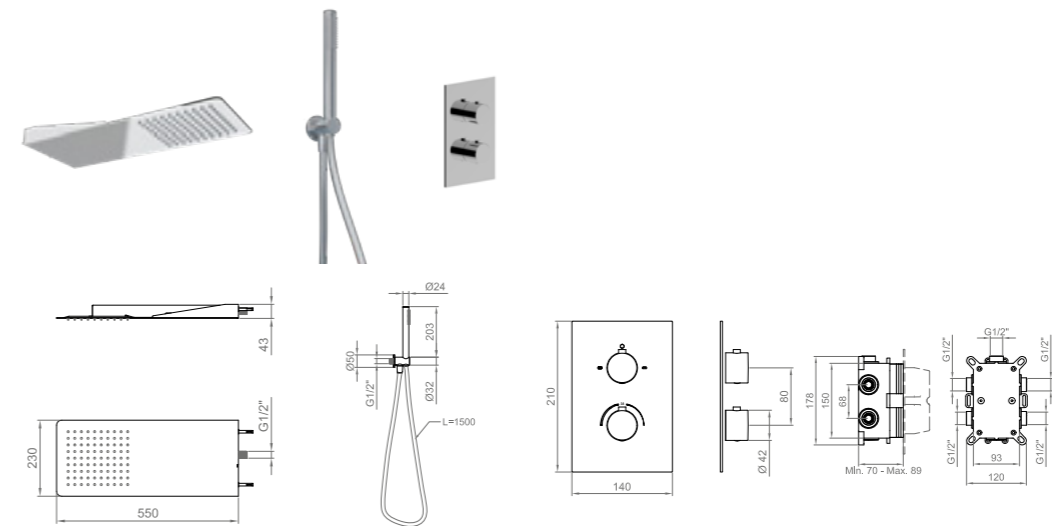
- Soffione in acciaio inox
- Braccio doccia
- Supporto fisso per doccetta con presa d'acqua integrata
- Flessibile in PVC antitorsione 1500 mm
- Doccetta
- Miscelatore incasso 2 o 3 vie

THE SHOWER SOLUTIONS WITH MIXER AND WALL MOUNTED SHOWER HEAD INCLUDE:

- Stainless steel shower head
- Shower arm
- Wall outlet with hand shower holder
- Anti-twist PVC hose 1500 mm
- Hand shower
- Concealed 2 or 3 ways shower mixer

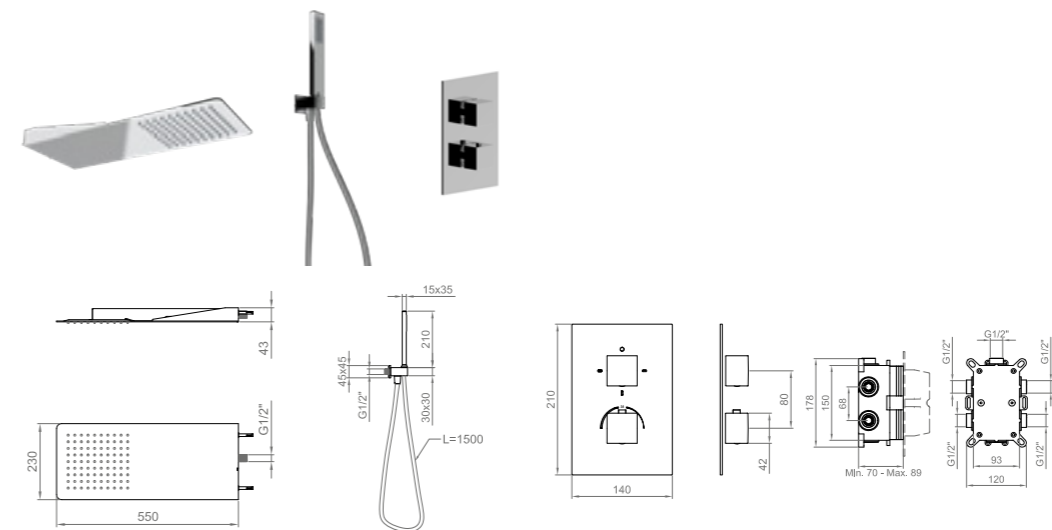
TERMOSTATICI - 2 vie | 2 ways - THERMOSTATIC

ROUND



Dim. soffione mm Shower head size mm	Finitura Finishing	Codice Code	€
550x230	Cromo Chrome	BN KIS C 0022	642,72

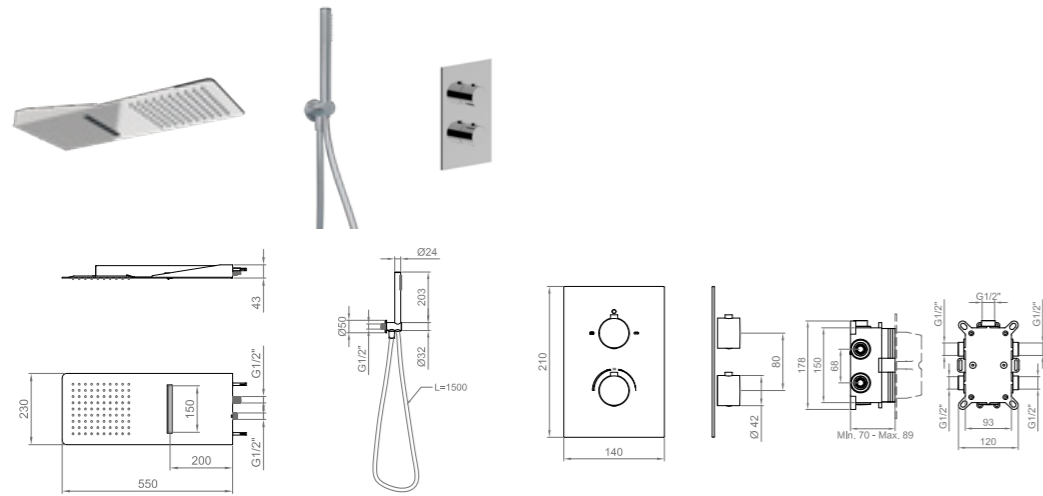
SQUARE



Dim. soffione mm Shower head size mm	Finitura Finishing	Codice Code	€
550x230	Cromo Chrome	BN KIS C 0024	732,16

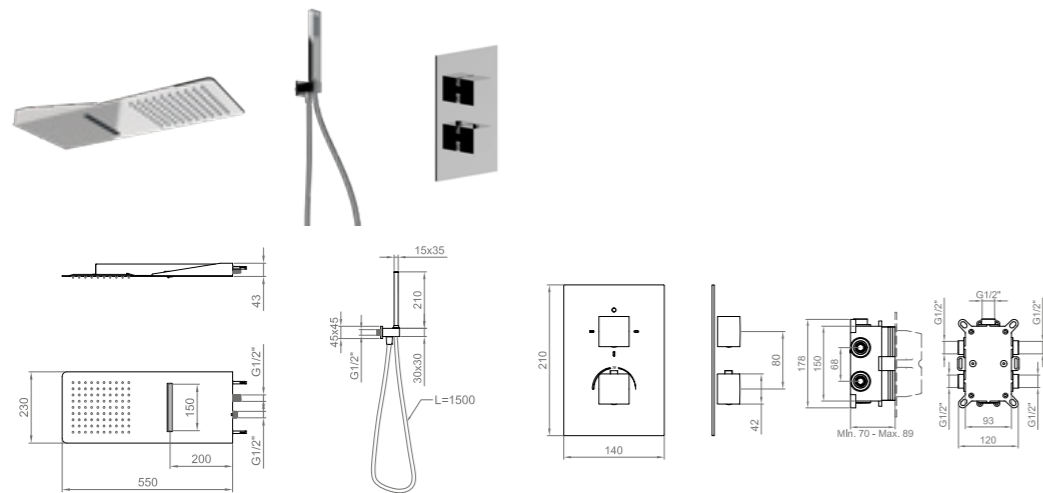
TERMOSTATICI 3 vie | 3 ways - THERMOSTATIC

ROUND



Dim. soffione mm Shower head size mm	Finitura Finishing	Codice Code	€
550x230	Cromo Chrome	BN KIS C 0023	694,72
550x230	Nero Opaco Black Matt	BN KIS K 0026	905,84

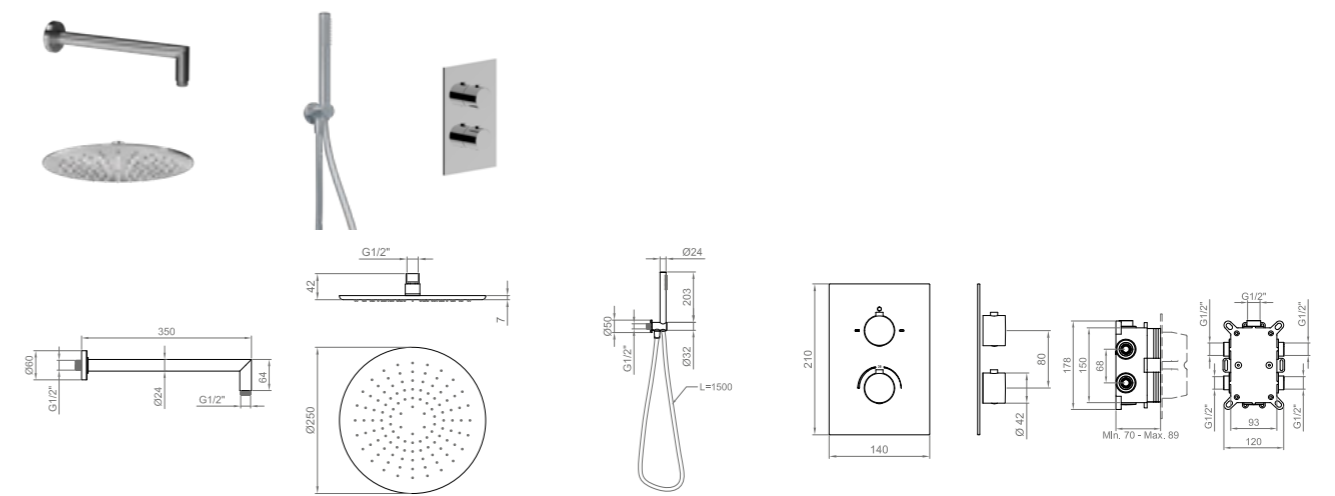
SQUARE



Dim. soffione mm Shower head size mm	Finitura Finishing	Codice Code	€
550x230	Cromo Chrome	BN KIS C 0025	720,72
550x230	Nero Opaco Black Matt	BN KIS K 0027	933,92

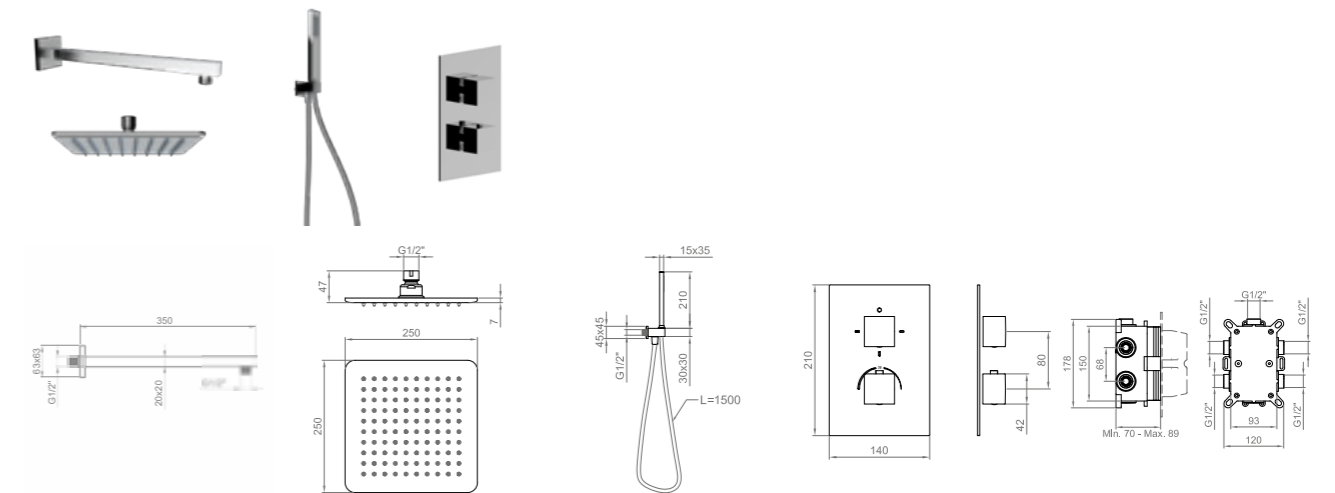
TERMOSTATICI - 2 vie | 2 ways - THERMOSTATIC

ROUND



Dim. soffione mm Shower head size mm	Dim. braccio mm Shower arm's length mm	Finitura Finishing	Codice Code	€
Ø 250	L 350	Cromo Chrome	BN KIS C 0021	597,12
Ø 250	L 350	Nero Opaco Black Matt	BN KIS K 0021	636,06

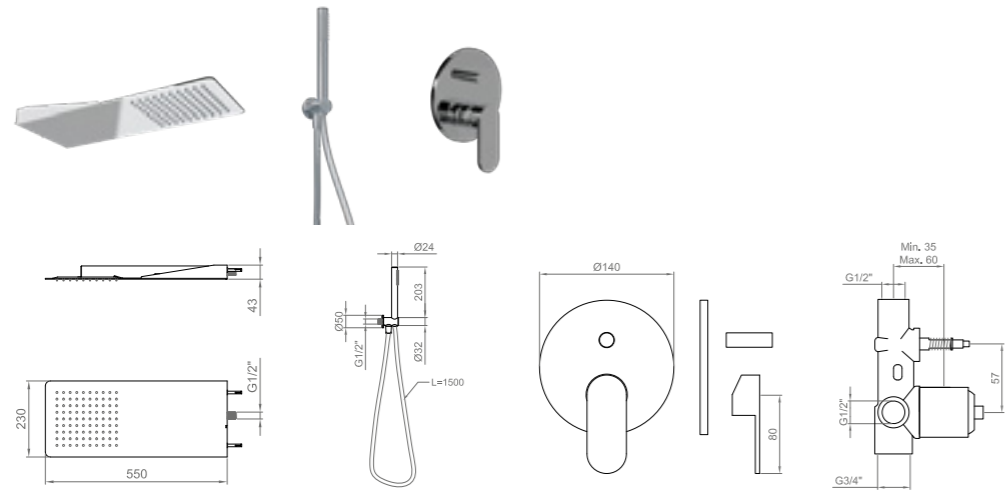
SQUARE



Dim. soffione mm Shower head size mm	Dim. braccio mm Shower arm's length mm	Finitura Finishing	Codice Code	€
250x250	L 350	Cromo Chrome	BN KIS C 0020	592,80
250x250	L 350	Nero Opaco Black Matt	BN KIS K 0020	674,49

VERSILIA

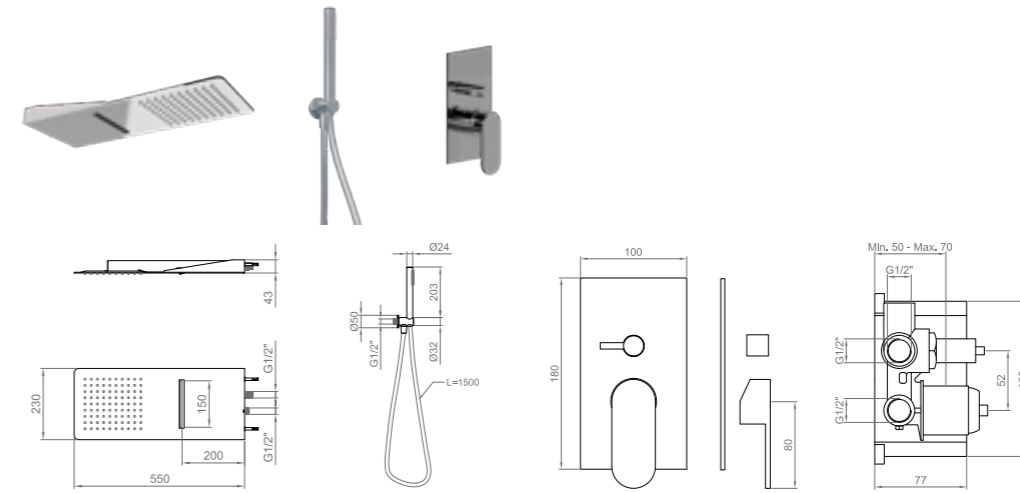
Miscelatore incasso 2 vie | 2 ways concealed shower mixer



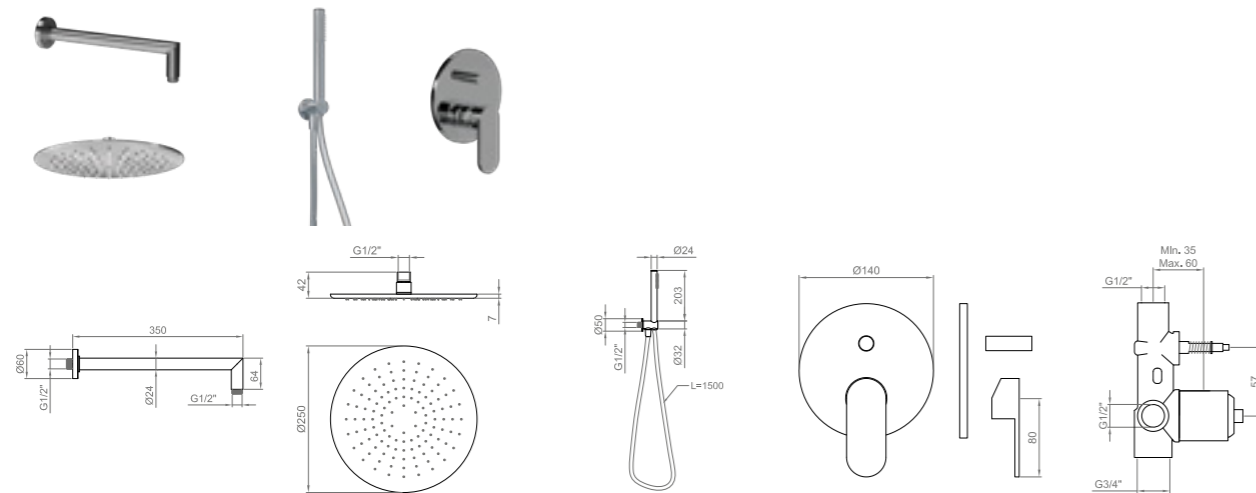
Dim. soffione mm Shower head size mm	Finitura Finishing	Codice Code	€
550x230	Cromo Chrome	BN KIS C 0001	433,80

VERSILIA

Miscelatore incasso 3 vie | 3 ways concealed shower mixer



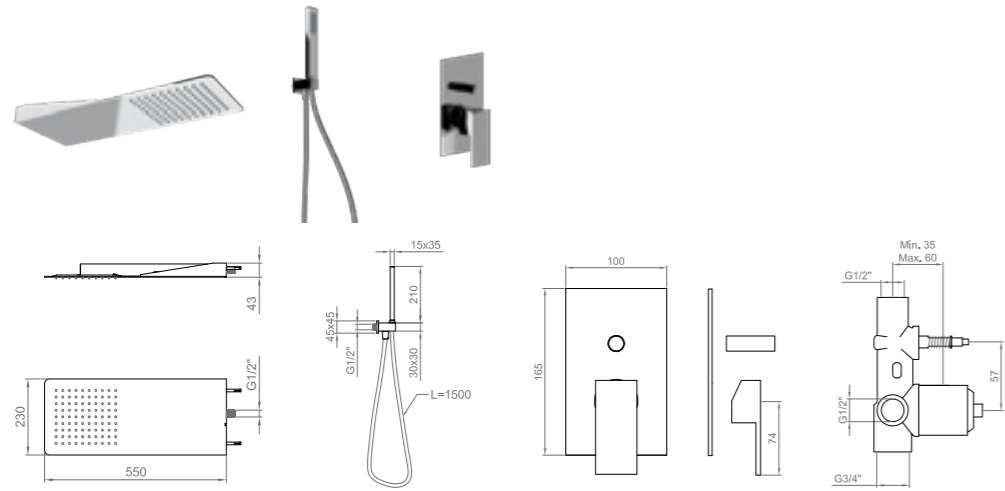
Dim. soffione mm Shower head size mm	Finitura Finishing	Codice Code	€
550x230	Cromo Chrome	BN KIS C 0003	592,64



Dim. soffione mm Shower head size mm	Dim. braccio mm Shower arm's length mm	Finitura Finishing	Codice Code	€
Ø 250	L 350	Cromo Chrome	BN KIS C 0007	324,08
Ø 250	L 350	Nero Opaco Black Matt	BN KIS K 0007	354,76

ITALIA R

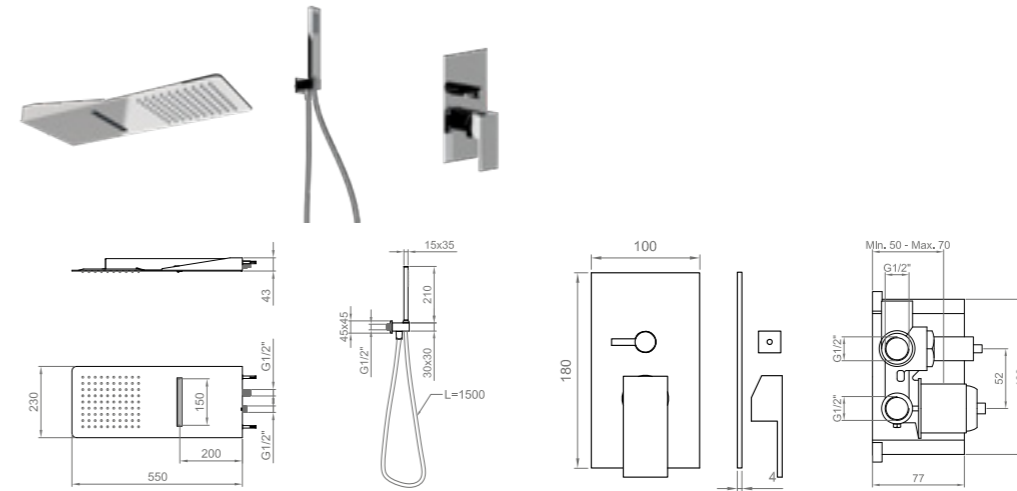
Miscelatore incasso 2 vie | 2 ways concealed shower mixer



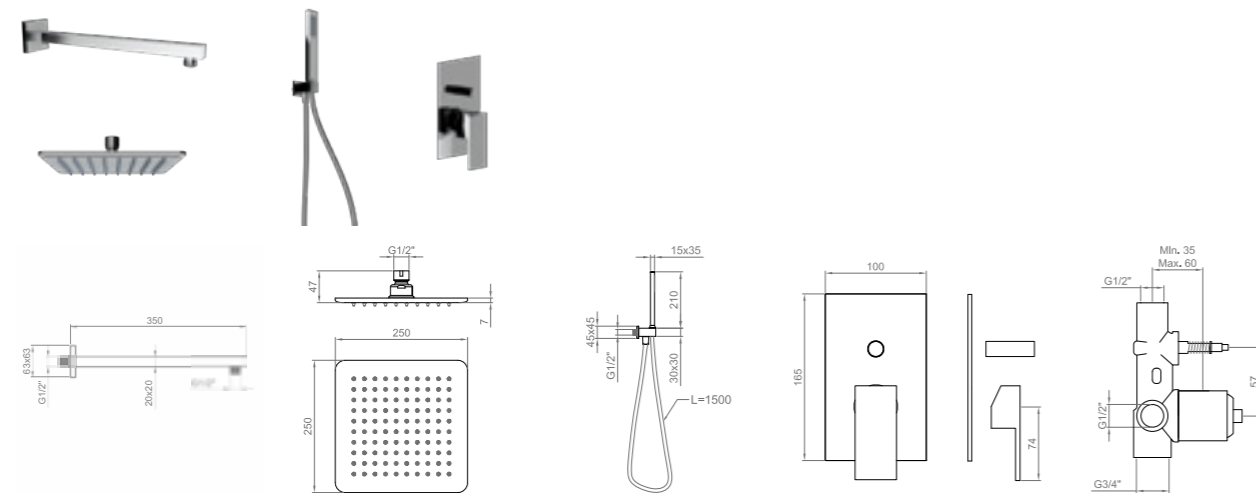
Dim. soffione mm Shower head size mm	Finitura Finishing	Codice Code	€
550x230	Cromo Chrome	BN KIS C 0002	469,28

ITALIA R

Miscelatore incasso 3 vie | 3 ways concealed shower mixer



Dim. soffione mm Shower head size mm	Finitura Finishing	Codice Code	€
550x230	Cromo Chrome	BN KIS C 0004	605,53



Dim. soffione mm Shower head size mm	Dim. braccio mm Shower arm's length mm	Finitura Finishing	Codice Code	€
250x250	L 350	Cromo Chrome	BN KIS C 0009	373,96
250x250	L 350	Nero Opaco Black Matt	BN KIS K 0009	429,44

**SOFFIONI, BRACCI E
ACCESSORI DOCCIA**
SHOWER HEADS, ARMS AND
SHOWERS' ACCESSORIES

SOFFIONI
SHOWER HEADS

A SBALZO
CANTILEVERED

46

**INCASSO
SOFFITTO**
CONCEALED
OVERHEAD

48

A MURO
WALL MOUNTED

50

BRACCI DOCCIA
SHOWER ARMS

56

KIT DOCCIA
SHOWER KITS

60

DOCCETTE
HAND SHOWERS

66

ACCESSORI DOCCIA
SHOWERS' ACCESSORIES

PRESE D'ACQUA
WATER OUTLETS

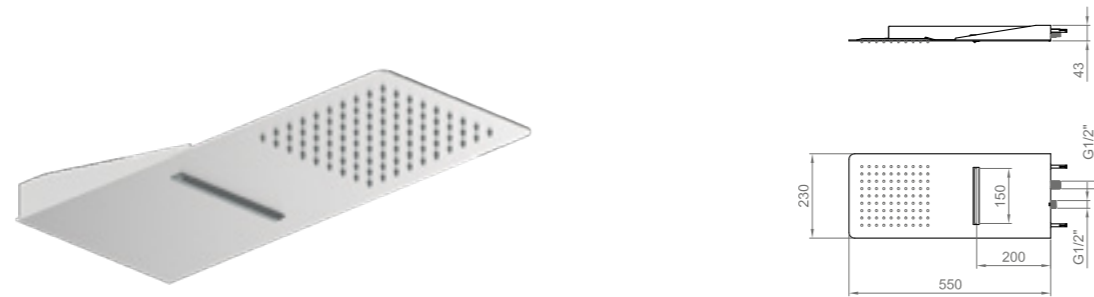
68

FLESSIBILI
HOSES

69



A SBALZO - STILOX | CANTILEVERED - STILOX



Soffione in acciaio inox, ultrapiatto, con erogazione effetto **PIOGGIA/CASCATA** integrata e sistema di attacco a parete

Ultra flat stainless steel shower head with **RAIN/WATERFALL** supply, with wall mounting system

Dimensioni mm Dimension mm	Finitura Finishing	Codice Code	€
550x230	Acciaio Spazzolato Brushed Steel	BN STL X SF33	539,76

A SBALZO | CANTILEVERED



Soffione in acciaio inox, ultrapiatto, con erogazione effetto **PIOGGIA/CASCATA** integrata e sistema di attacco a parete.

Ultra flat stainless steel shower head with **RAIN/WATERFALL** supply, with wall mounting system

Dimensioni mm Dimension mm	Finitura Finishing	Codice Code	€
550x230	Cromo Chrome	BN SOF X SF33	315,09
550x230	Nero Opaco Black Matt	BN STL K SF33	528,95

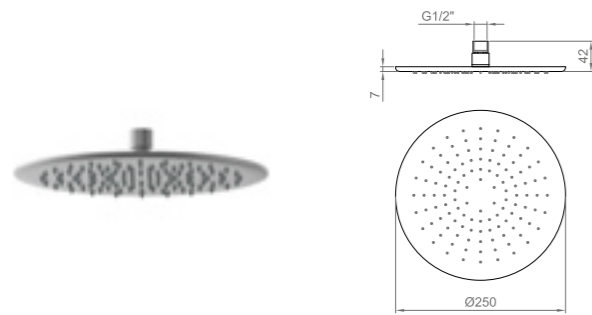


Soffione in acciaio inox, ultrapiatto, con erogazione effetto **PIOGGIA** e sistema di attacco a parete.

Ultra flat stainless steel shower head with **RAIN** supply, with wall mounting system

Dimensioni mm Dimension mm	Finitura Finishing	Codice Code	€
550x230	Cromo Chrome	BN SOF X SF32	281,54

A MURO - STILOX | WALL MOUNTED - STILOX

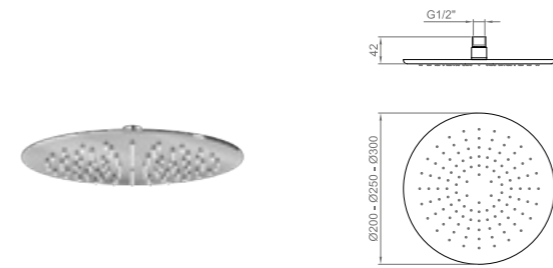


Soffione tondo in acciaio inox, snodo orientabile
Stainless steel round shower head with swivelling joint

Dimensioni mm Dimension mm	Finitura Finishing	Codice Code	€
Ø 250	Acciaio Spazzolato Brushed Steel	BN STL X SF25	146,98

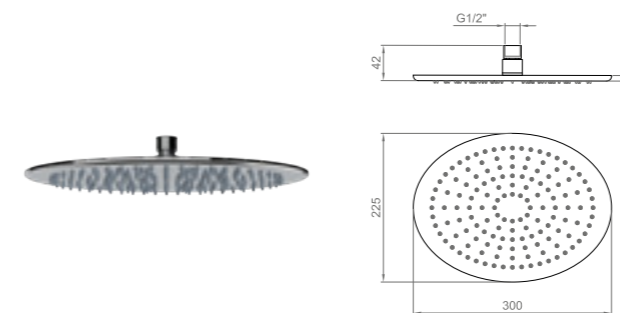
A MURO | WALL MOUNTED

ROUND



Soffione tondo in acciaio inox, snodo orientabile
Stainless steel round shower head with swivelling joint

Dimensioni mm Dimension mm	Finitura Finishing	Codice Code	€
Ø 200	Cromo Chrome	BN SOF X SF24	56,16
Ø 250	Cromo Chrome	BN SOF X SF25	81,12
Ø 250	Nero Opaco Black Matt	BN SOF K SF25	109,73
Ø 300	Cromo Chrome	BN SOF X SF26	123,46

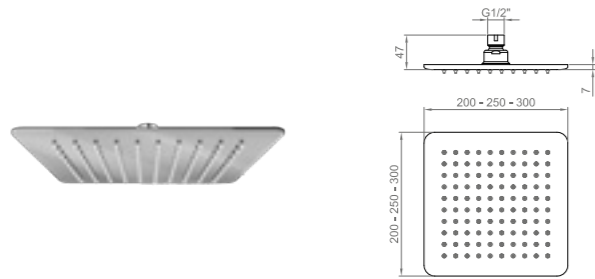


Soffione ovale in acciaio inox, snodo orientabile
Stainless steel oval shower head with swivelling joint

Dimensioni mm Dimension mm	Finitura Finishing	Codice Code	€
225x300	Cromo Chrome	BN SOF X SF31	104,80

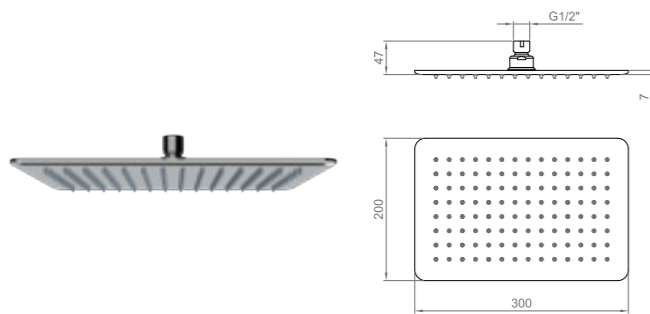
A MURO | WALL MOUNTED

SQUARE



Soffione quadrato in acciaio inox, snodo orientabile
Stainless steel square shower head with swivelling joint

Dimensioni mm Dimension mm	Finitura Finishing	Codice Code	€
200x200	Cromo Chrome	BN SOF X SF27	65,52
250x250	Cromo Chrome	BN SOF X SF28	87,36
250x250	Nero Opaco Black Matt	BN SOF K SF28	104,36
300x300	Cromo Chrome	BN SOF X SF29	128,25

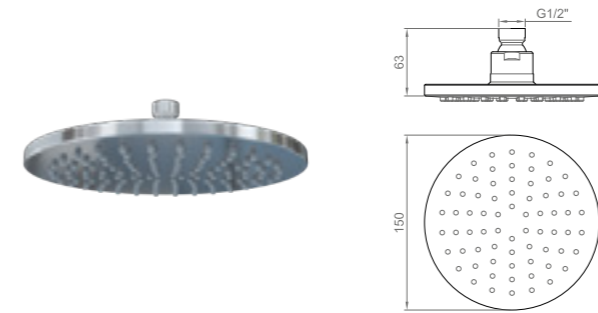


Soffione rettangolare in acciaio inox, snodo orientabile
Stainless steel rectangular shower head with swivelling joint

Dimensioni mm Dimension mm	Finitura Finishing	Codice Code	€
200x300	Cromo Chrome	BN SOF X SF30	102,68

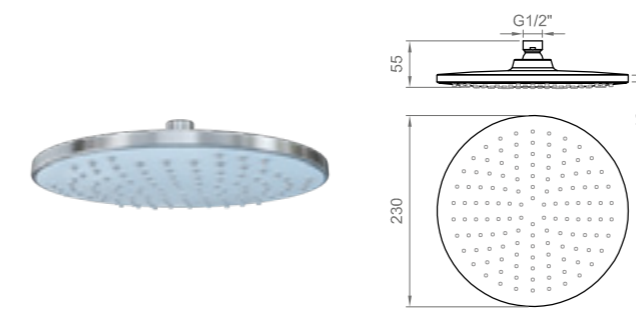
A MURO | WALL MOUNTED

ROUND



Soffione tondo in ABS, snodo orientabile
Round overhead ABS shower head with swivelling joint

Dimensioni mm Dimension mm	Finitura Finishing	Codice Code	€
Ø 150	Cromo Chrome	BN SOF P SF08	22,80



Soffione tondo in ABS, snodo orientabile
Round overhead ABS shower head with swivelling joint

Dimensioni mm Dimension mm	Finitura Finishing	Codice Code	€
Ø 230	Cromo Chrome	BN SOF P SF12	35,22

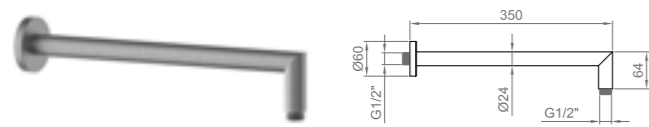


Soffione in ABS, 4 getti, snodo orientabile
4 jet ABS shower head with swivelling joint

Dimensioni mm Dimension mm	Finitura Finishing	Codice Code	€
Ø 93	Cromo Chrome	BN SOF P SF05	19,97

BRACCI DOCCIA | SHOWER ARMS

STILOX

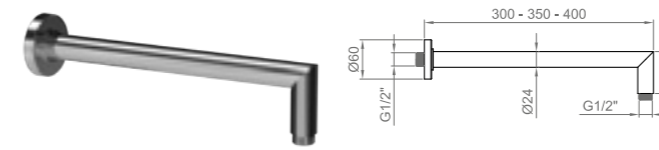


Braccio doccia in acciaio inox
Stainless steel shower arm

Dim. braccio mm Shower arm's length mm	Finitura Finishing	Codice Code	€
L 350	Acciaio Spazzolato Brushed Steel	BN STL X BR35	69,53

BRACCI DOCCIA | SHOWER ARMS

ROUND



Braccio doccia in metallo
Metal shower arm

Dim. braccio mm Shower arm's length mm	Finitura Finishing	Codice Code	€
L 300	Cromo Chrome	BN BRA C BR41	40,56
L 350	Cromo Chrome	BN BRA C BR40	43,68
L 350	Nero Opaco Black Matt	BN BRA K BR40	62,80
L 400	Cromo Chrome	BN BRA C BR42	46,80



Braccio doccia in metallo
Metal shower arm

Dim. braccio mm Shower arm's length mm	Finitura Finishing	Codice Code	€
L 235	Cromo Chrome	BN BRA C BR25	23,40
L 285	Cromo Chrome	BN BRA C BR15	23,92
L 335	Cromo Chrome	BN BRA C BR05	24,44

KIT DOCCIA | SHOWER KIT

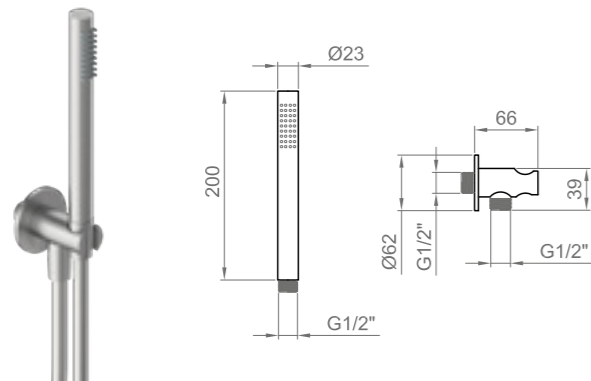
I KIT DOCCIA SI COMPONGONO DI:

- Supporto fisso per doccetta con presa d'acqua integrata
- Flessibile in PVC antitorsione 1500 mm
- Doccetta

THE SHOWER KITS INCLUDE:

- Wall outlet with hand shower holder
- Anti-twist PVC flexible hose 1500 mm
- Hand shower

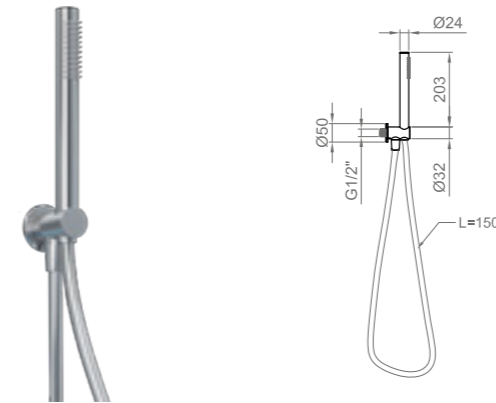
STILOX



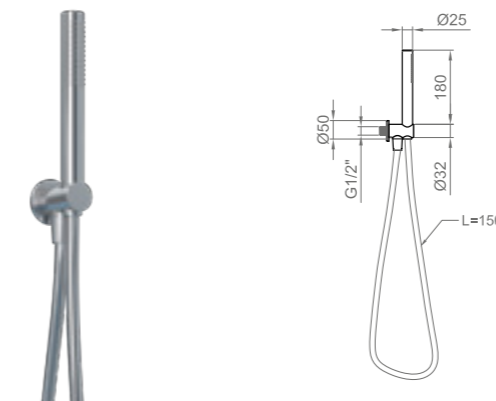
Materiale doccetta Hand shower material	Finitura Finishing	Codice Code	€
Acciaio inox Stainless Steel	Acciaio Spazzolato Brushed Steel	BN STL X KT22	119,20

KIT DOCCIA | SHOWER KIT

ROUND



Materiale doccetta Hand shower material	Finitura Finishing	Codice Code	€
Metallo Metal	Cromo Chrome	BN KIT C KI22	74,64
Metallo Metal	Nero Opaco Black Matt	BN KIT K KI22	105,81

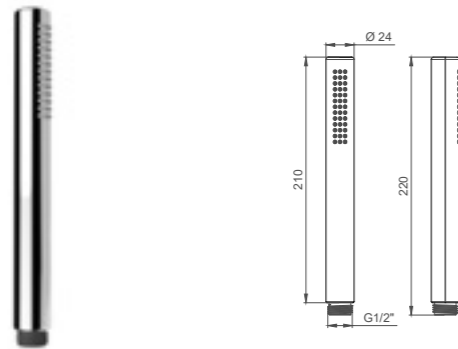


Materiale doccetta Hand shower material	Finitura Finishing	Codice Code	€
ABS	Cromo Chrome	BN KIT C KI21	56,04



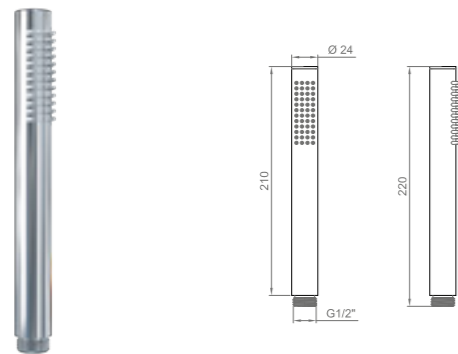
ACCESSORI DOCCIA
SHOWERS' ACCESSORIES

DOCCETTE | HAND SHOWER



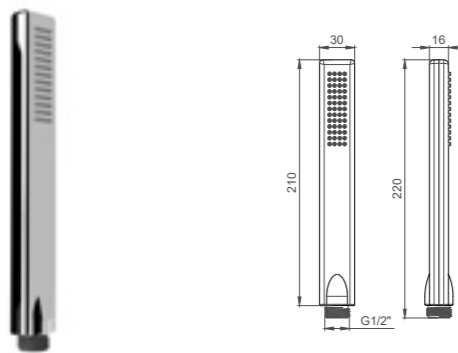
Doccetta in ABS
ABS hand shower

Finitura Finishing	Codice Code	€
Cromo Chrome	BN DOC C D025	12,12



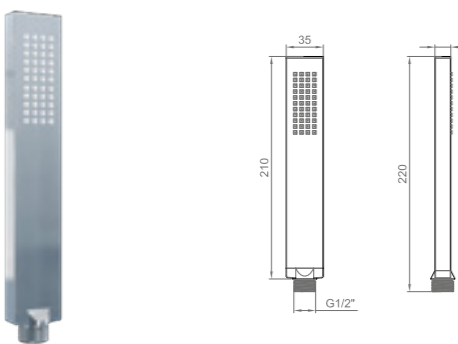
Doccetta in metallo
Metal hand shower

Finitura Finishing	Codice Code	€
Cromo Chrome	BN DOC C D072	30,73
Nero Opaco Black Matt	BN DOC K D072	36,92



Doccetta in ABS
ABS hand shower

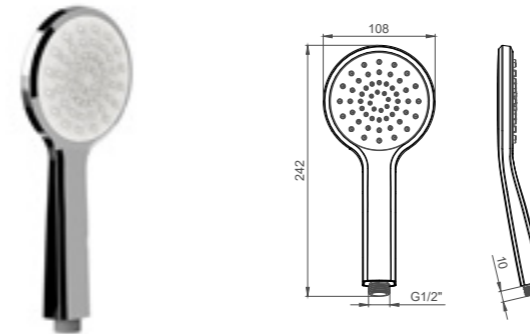
Finitura Finishing	Codice Code	€
Cromo Chrome	BN DOC C D024	18,40



Doccetta in metallo
Metal hand shower

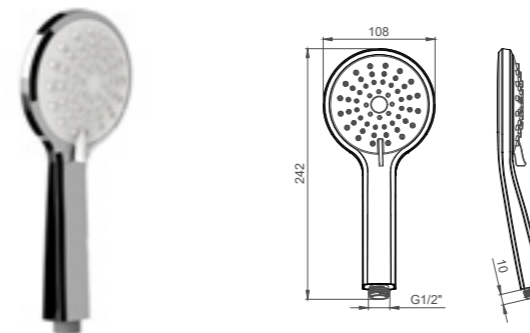
Finitura Finishing	Codice Code	€
Cromo Chrome	BN DOC C D071	37,89
Nero Opaco Black Matt	BN DOC K D071	42,89

DOCCETTE | HAND SHOWER



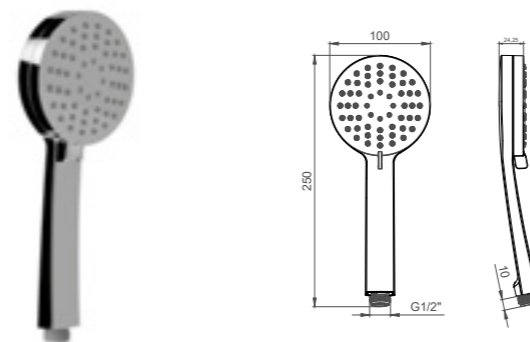
Doccetta in ABS
ABS hand shower

Finitura Finishing	Codice Code	€
Cromo Chrome	BN DOC C D075	15,49
Nero Opaco Black Matt	BN DOC K D075	16,00



Doccetta in ABS, 3 funzioni
ABS hand shower, 3 settings

Finitura Finishing	Codice Code	€
Cromo Chrome	BN DOC C D074	19,95



Doccetta in ABS, 3 funzioni
ABS hand shower, 3 settings

Finitura Finishing	Codice Code	€
Cromo Chrome	BN DOC C D078	21,84

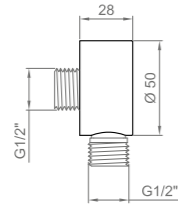


Doccetta in ABS, 3 getti / 5 funzioni
ABS hand shower, 3-jets/5-settings

Finitura Finishing	Codice Code	€
Cromo Chrome	BN DOC C D018	16,64

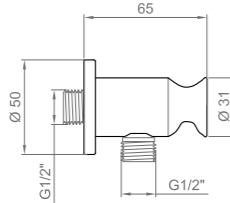
PRESE D'ACQUA | WATER OUTLETS

ROUND



Preso d'acqua
Water outlet wall elbow

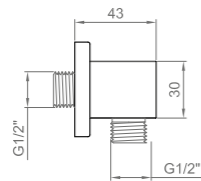
Finitura Finishing	Codice Code	€
Cromo Chrome	BN PRE C PA10	19,49
Nero Opaco Black Matt	BN PRE K PA10	24,91



Preso d'acqua con supporto
Water outlet wall elbow with hand shower holder

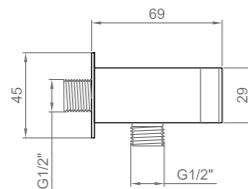
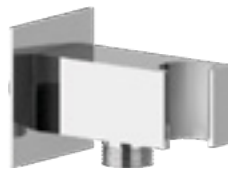
Finitura Finishing	Codice Code	€
Cromo Chrome	BN PRE C PA09	27,90

SQUARE



Preso d'acqua
Water outlet wall elbow

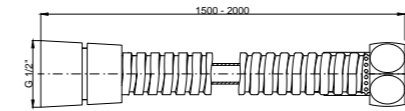
Finitura Finishing	Codice Code	€
Cromo Chrome	BN PRE C PA13	28,67
Nero Opaco Black Matt	BN PRE K PA13	42,02



Preso d'acqua con supporto
Water outlet elbow with hand shower holder

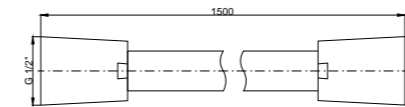
Finitura Finishing	Codice Code	€
Cromo Chrome	BN PRE C PA05	37,32

FLESSIBILI DOCCIA | SHOWER HOSES



Flessibile a doppia aggraffatura in metallo
Metal double interlock flexible hose

Dimensioni mm Dimension mm	Finitura Finishing	Codice Code	€
L 1500	Cromo Chrome	BN FLE C FL01	10,58
L 2000	Cromo Chrome	BN FLE C FL20	13,01



Flessibile antitorsione in PVC, 1500 mm
1500 mm anti-twist PVC flexible hose

Dimensioni mm Dimension mm	Finitura Finishing	Codice Code	€
L 1500	Cromo Chrome	BN FLE C FL15	13,77
L 1500	Nero Opaco Black Matt	BN FLE K FL15	21,85
L 1500	Acciaio Spazzolato Brushed Steel	BN RIC X FL15	31,20

COLONNE E ASTE DOCCIA

SHOWER COLUMNS AND RAILS

COLONNE COLUMNS

SQUARE | 74

ROUND | 79

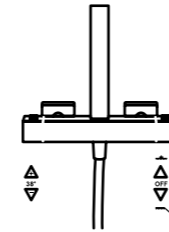
NEW ROUND-T | 83

ASTE SHOWER RAILS

ROUND | 100

SQUARE | 102

CARATTERISTICHE



**Miscelatore
termostatico**

Thermostatic mixer

Colonna con miscelatore termostatico dotata di deviatore a 2 vie in dischi ceramici.

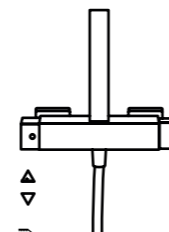
Questo prodotto comprende:

- Soffione
- Flessibile doccia (1500mm)
- Doccetta in metallo

Column with thermostatic mixer, equipped with 2-way ceramic disk diverter.

This product includes:

- Shower head
- Shower (1500 mm).
- Metal hand shower.



**Miscelatore
meccanico**

Mechanical mixer

Colonna con miscelatore meccanico dotata di deviatore a 2 vie in dischi ceramici.

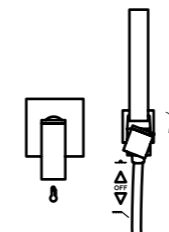
Questo prodotto comprende:

- Soffione
- Flessibile doccia (1500mm)
- Doccetta in metallo

Column with mechanical mixer, equipped with 2-way ceramic disk diverter.

This product includes:

- Shower head
- Shower (1500 mm).
- Metal hand shower.



**Deviatore per
miscelatore ad incasso**

Diverter for concealed mixer

Colonna per miscelatore doccia ad incasso dotata di deviatore a 2 vie in dischi ceramici. Da completare con miscelatore doccia.

Questo prodotto comprende:

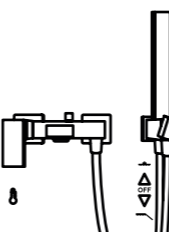
- Soffione
- Flessibile doccia (1500mm)
- Doccetta in metallo

Column for concealed mixer, equipped with 2-way ceramic disk diverter.

To complete with shower mixer.

This product includes:

- Shower head
- Shower (1500 mm).
- Metal hand shower.



**Deviatore per
miscelatore esterno**

Diverter for external mixer

Colonna per miscelatore esterno dotata di deviatore a 2 vie in dischi ceramici. Da completare con miscelatore doccia.

Questo prodotto comprende:

- Soffione
- Flessibile di raccordo (750 mm) per collegamento colonna a miscelatore esterno con attacco G1/2"
- Flessibile doccia (1500mm)
- Doccetta in metallo

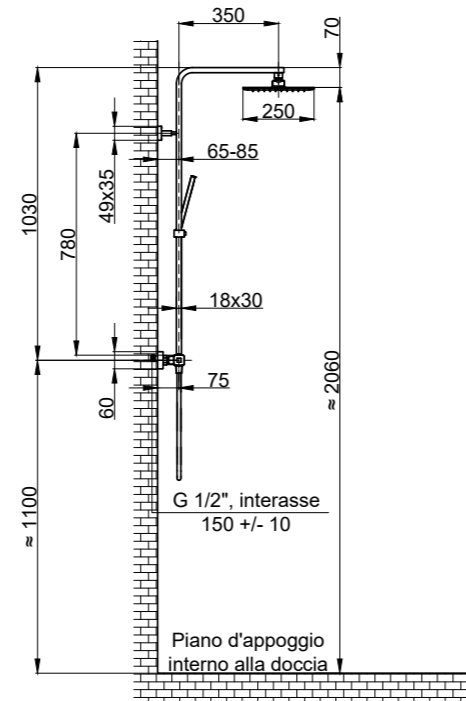
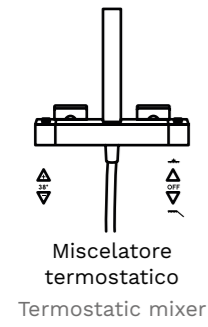
Column for external mixer, equipped with 2-way ceramic disk diverter.

To complete with shower mixer.

This product includes:

- Shower head
- Flexible connection (750 mm) for column connection to external mixer with G1/2" connection,
- Shower (1500 mm).
- Metal hand shower.

SQUARE

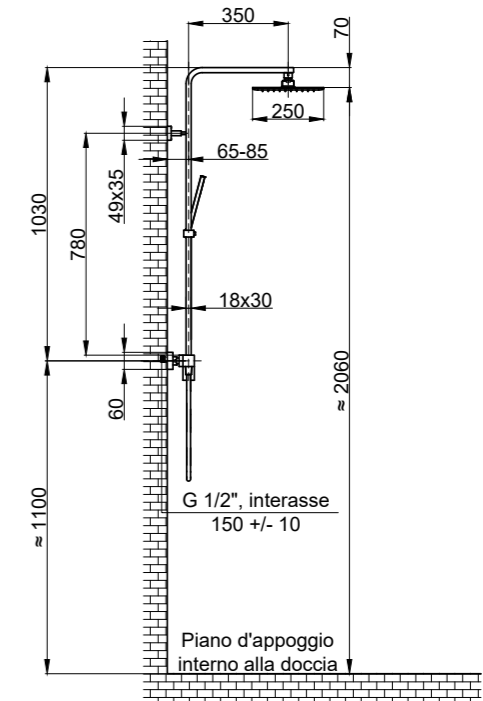
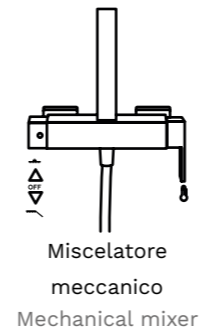


Soffione: acciaio inox, 250x250mm
 Flessibile: PVC antitorsione
 Doccetta: metallo

Shower head: stainless steel, 250x250mm
 Hose: PVC anti-twist
 Hand shower: metal

Finitura Finishing	Codice Code	€
Cromo Chrome	BN COL C QTRM 0011	494,00
Nero Opaco Black Matt	BN COL K QTRM 0011	590,57

SQUARE

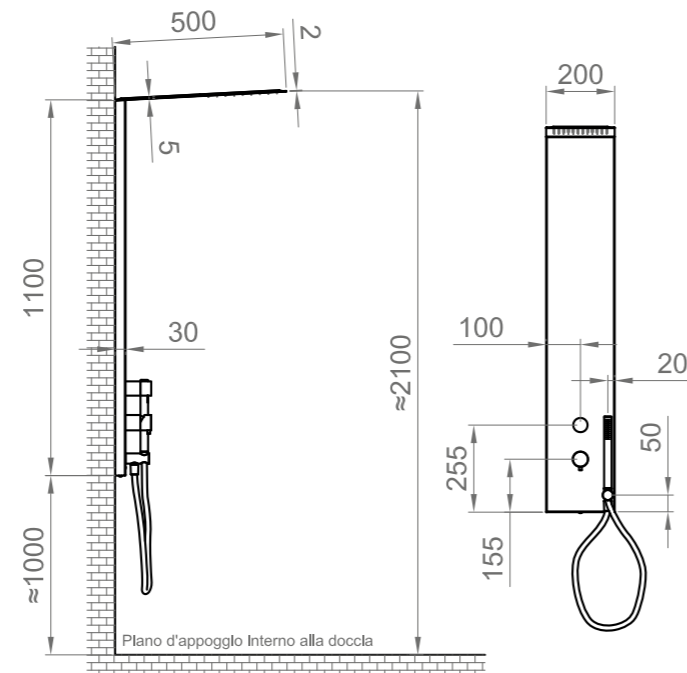
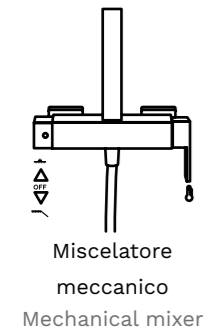


Soffione: acciaio inox, 250x250mm
 Flessibile: PVC antitorsione
 Doccetta: metallo

Shower head: stainless steel, 250x250mm
 Hose: PVC anti-twist
 Hand shower: metal

Finitura Finishing	Codice Code	€
Cromo Chrome	BN COL C QMIX 0012	470,50

SQUARE

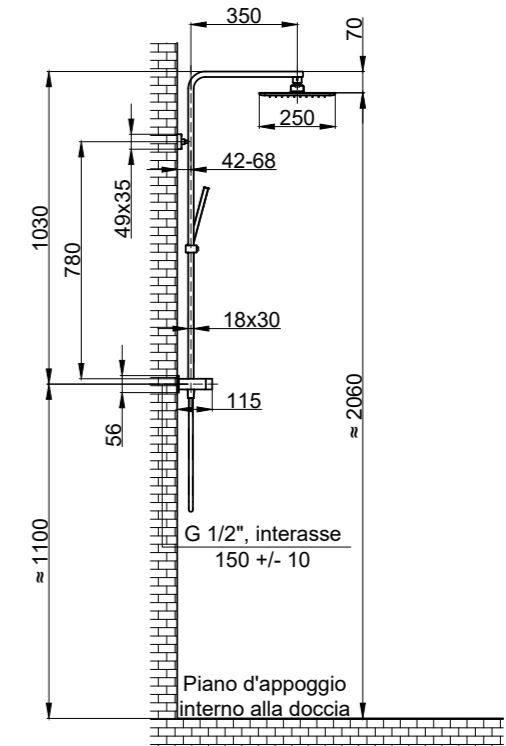
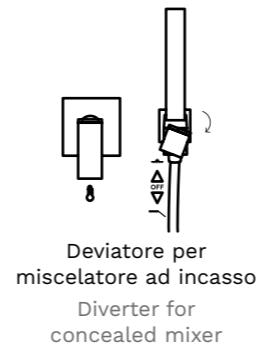


Soffione: ultrapiatto in acciaio inox
Flessibile: PVC antitorsione
Doccetta: metallo

Shower head: stainless steel ultra flat
Hose: PVC anti-twist
Hand shower: metal

Finitura Finishing	Codice Code	€
Cromo Chrome	BN COL C QMIX 0002	975,98

SQUARE

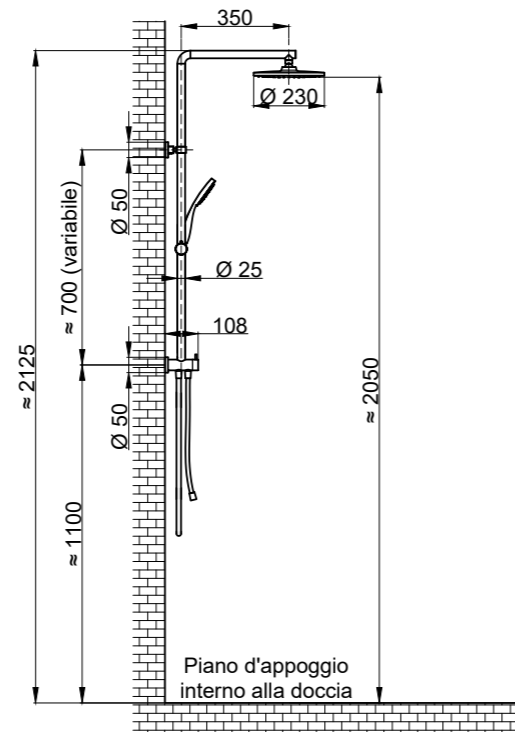
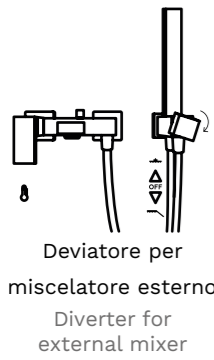


Soffione: acciaio inox, 250x250mm
Flessibile: PVC antitorsione
Doccetta: metallo

Shower head: stainless steel, 250x250mm
Hose: PVC anti-twist
Hand shower: metal

Finitura Finishing	Codice Code	€
Cromo Chrome	BN COL C QPRE 0013	338,10

ROUND

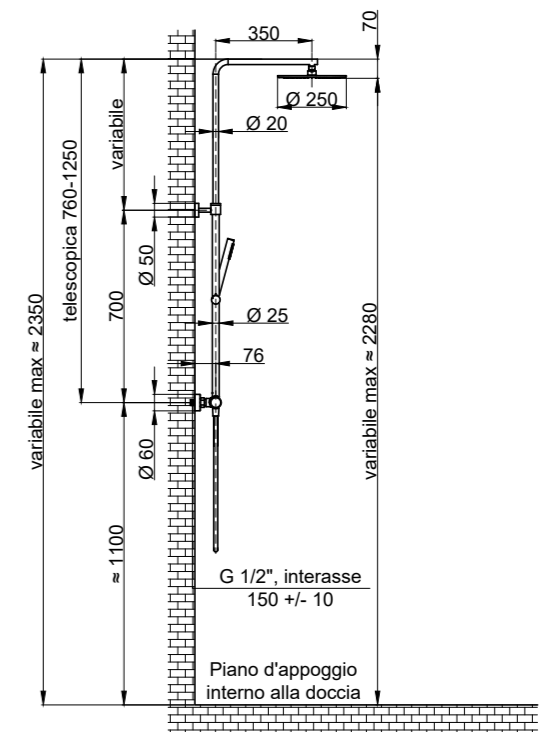
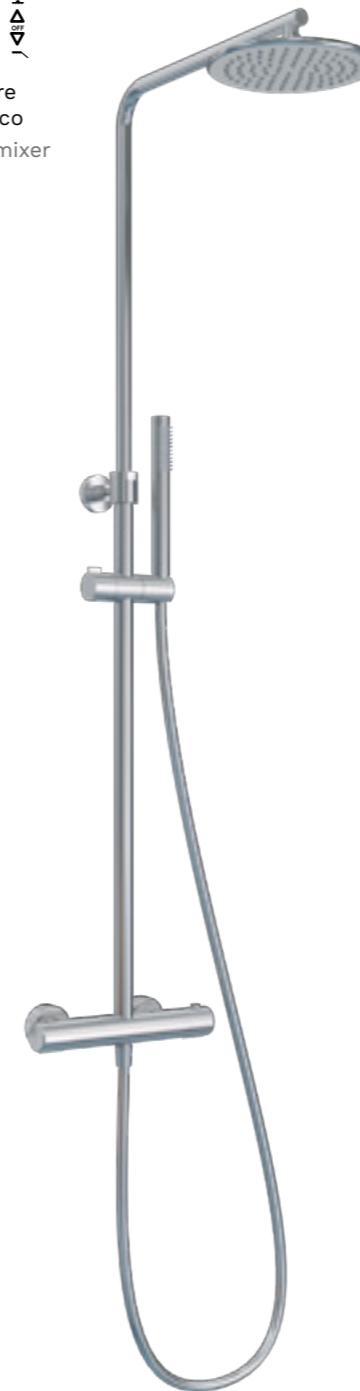
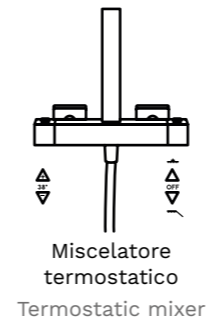


Colonna doccia
Soffione: ABS, $\varnothing 230$ mm
Flessibile: PVC antitorsione
Doccetta: ABS

Shower head: ABS, $\varnothing 230$ mm
Hose: PVC anti-twist
Hand shower: ABS

Finitura Finishing	Codice Code	€
Cromo Chrome	BN COL C RPRR 0004	236,15

ROUND-T

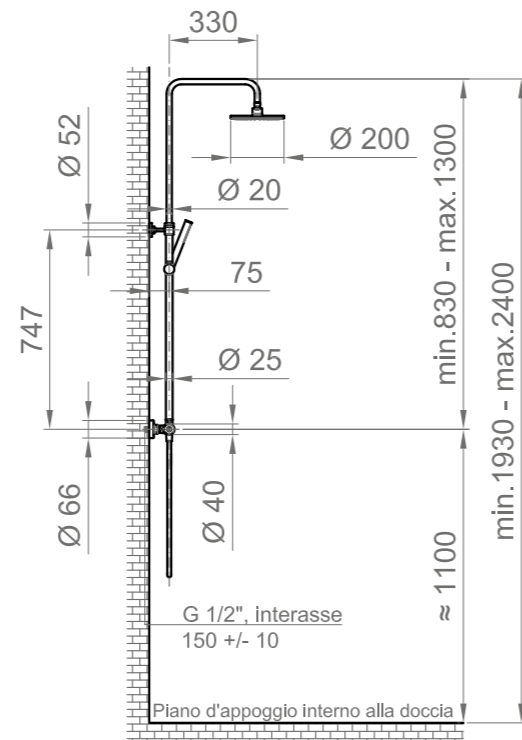


Colonna doccia telescopica
Soffione: acciaio inox, $\varnothing 250$ mm
Flessibile: PVC antitorsione
Doccetta: metallo

Telescopic shower column
Shower head: stainless steel, $\varnothing 250$ mm
Hose: PVC anti-twist
Hand shower: metal

Finitura Finishing	Codice Code	€
Cromo Chrome	BN COL C RTRM 0011	463,98

ROUND-T

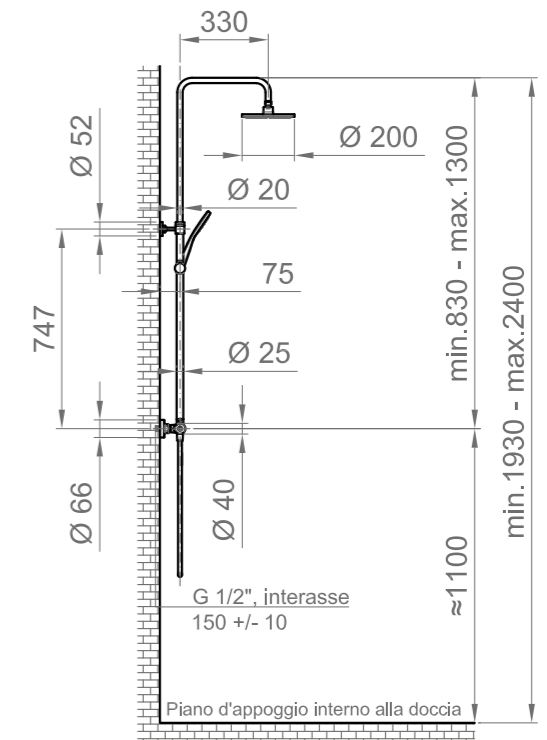


Colonna doccia telescopica
Soffione: ABS, Ø200mm
Flessibile: a doppia aggraffatura in metallo
Doccetta: ABS

Telescopic shower column
Shower head: ABS, Ø200mm
Metal double interlock flexible hose
Hand shower: ABS

Finitura Finishing	Codice Code	€
Cromo Chrome	BN COL C RTRM 0015	311,70

ROUND-T



Colonna doccia telescopica
Soffione: ABS, Ø200mm
Flessibile: a doppia aggraffatura in metallo
Doccetta: ABS

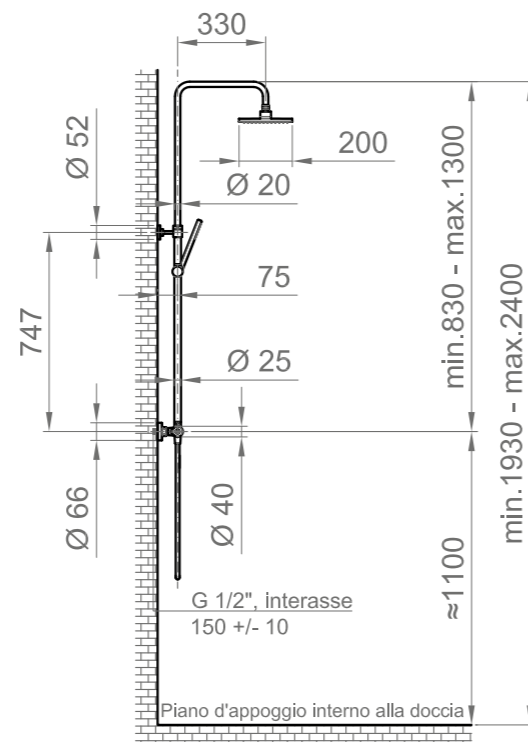
Telescopic shower column
Shower head: ABS, Ø200mm
Metal double interlock flexible hose
Hand shower: ABS

Finitura Finishing	Codice Code	€
Cromo Chrome	BN COL C RTRM 0016	314,51

ROUND-T



NEW
Miscelatore
termostatico
Thermostatic mixer



Colonna doccia telescopica
Soffione: ABS, 200x200mm
Flessibile: a doppia aggraffatura in metallo
Doccetta: ABS

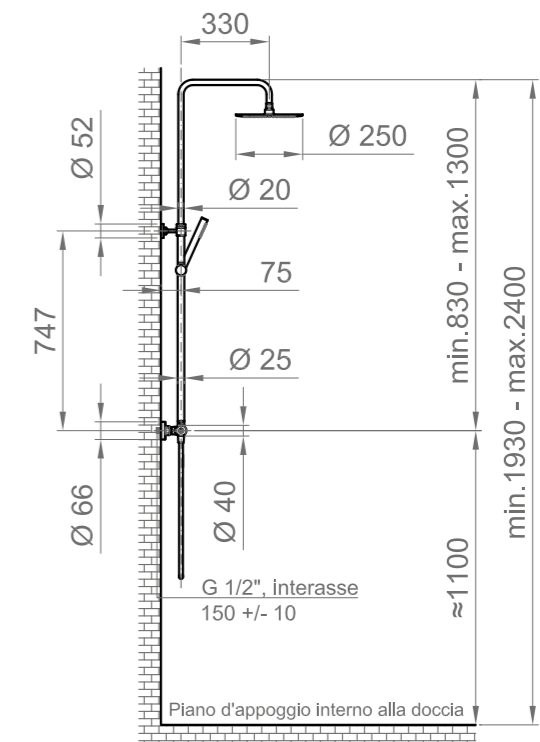
Telescopic shower column
Shower head: ABS, 200x200mm
Metal double interlock flexible hose
Hand shower: ABS

Finitura Finishing	Codice Code	€
Cromo Chrome	BN COL C RTRM 0017	331,75

ROUND-T



NEW
Miscelatore
termostatico
Thermostatic mixer



Colonna doccia telescopica
Soffione: acciaio inox, Ø250mm
Flessibile: PVC antitorsione
Doccetta: metallo

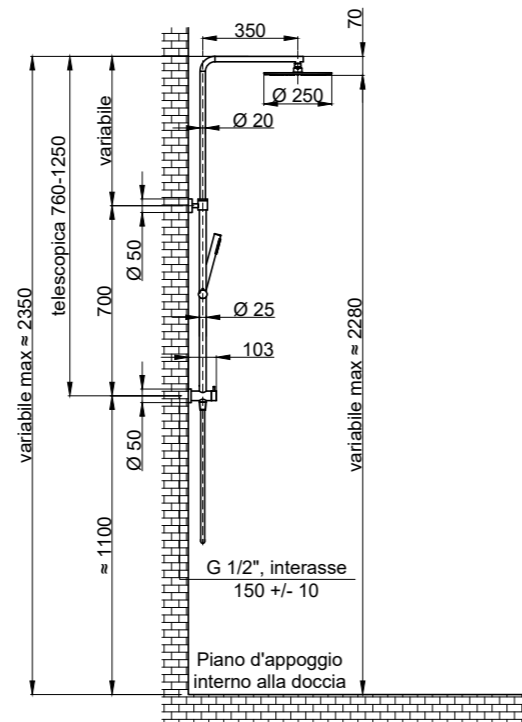
Telescopic shower column
Shower head: stainless steel, Ø250mm
Hose: PVC anti-twist
Hand shower: metal

Finitura Finishing	Codice Code	€
Nero Opaco Black Matt	BN COL K RTRM 0018	452,29

ROUND-T



Deviatore per
miscelatore ad incasso
Diverter for
concealed mixer



Colonna doccia telescopica
Soffione: acciaio inox, Ø250mm
Flessibile: PVC antitorsione
Doccetta: metallo

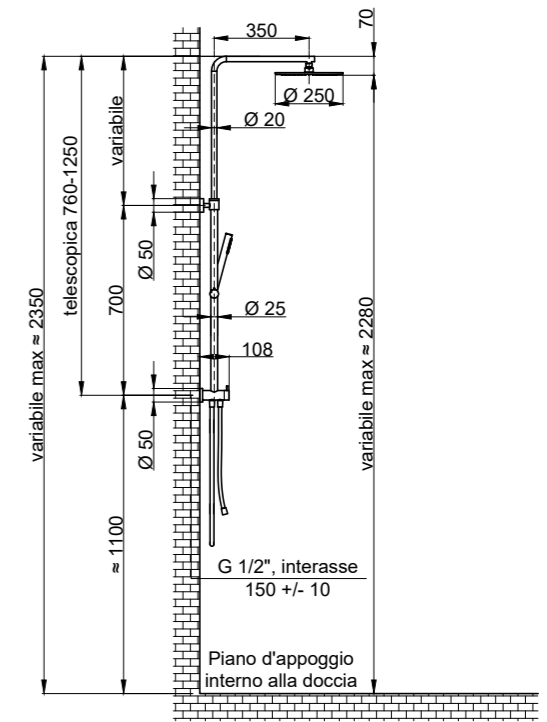
Telescopic shower column
Shower head: stainless steel, Ø250mm
Hose: PVC anti-twist
Hand shower: metal

Finitura Finishing	Codice Code	€
Cromo Chrome	BN COL C RPRE 0013	310,22

ROUND-T



Deviatore per
miscelatore esterno
Diverter for
external mixer

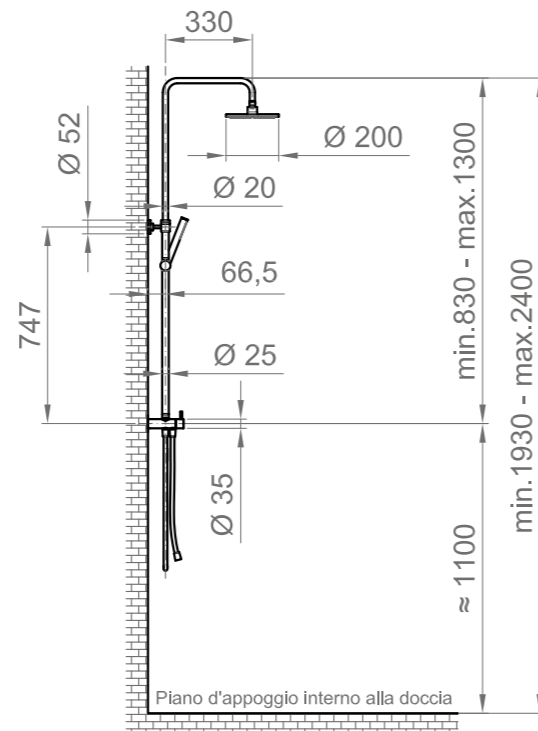
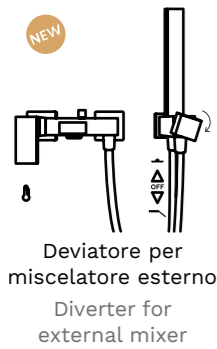


Colonna doccia telescopica
Soffione: acciaio inox, Ø250mm
Flessibile: PVC antitorsione
Doccetta: metallo

Telescopic shower column
Shower head: stainless steel, Ø250mm
Hose: PVC anti-twist
Hand shower: metal

Finitura Finishing	Codice Code	€
Cromo Chrome	BN COL C RPRR 0014	312,15

ROUND-T

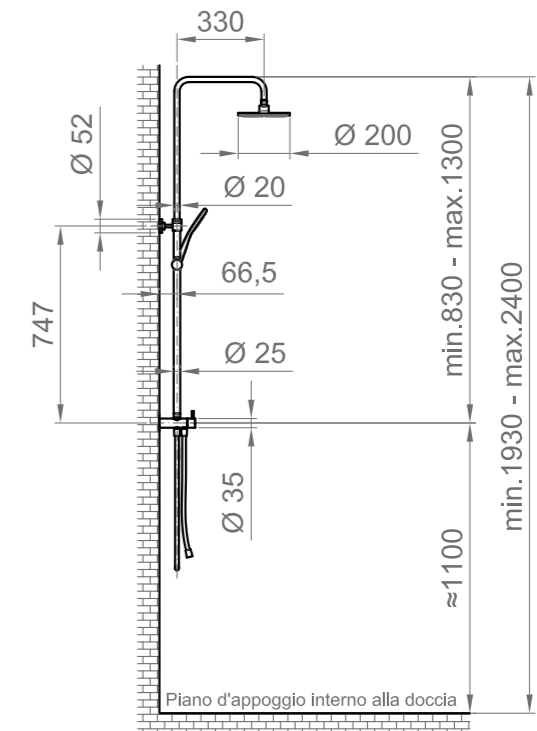
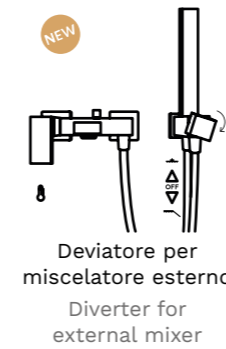


Colonna doccia telescopica
Soffione: ABS, Ø200mm
Flessibile: a doppia aggraffatura in metallo
Doccetta: ABS

Telescopic shower column
Shower head: ABS, Ø200mm
Metal double interlock flexible hose
Hand shower: ABS

Finitura Finishing	Codice Code	€
Cromo Chrome	BN COL C RPRR 0016	205,05

ROUND-T

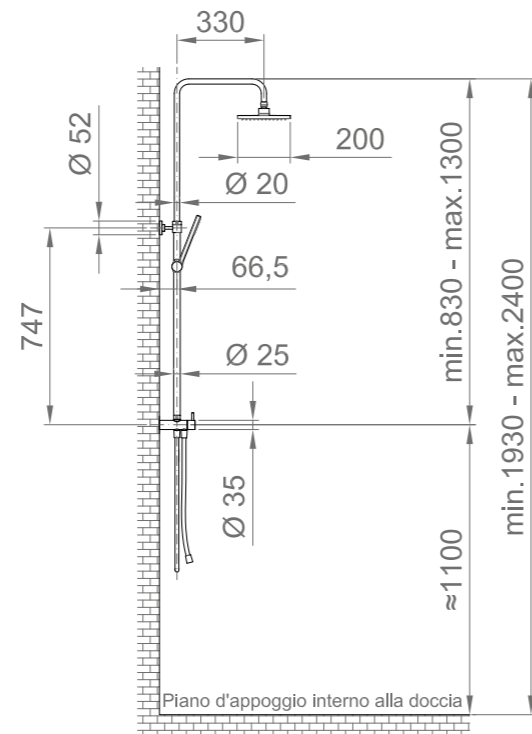
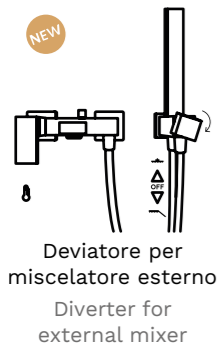


Colonna doccia telescopica
Soffione: ABS, Ø200mm
Flessibile: a doppia aggraffatura in metallo
Doccetta: ABS

Telescopic shower column
Shower head: ABS, Ø200mm
Metal double interlock flexible hose
Hand shower: ABS

Finitura Finishing	Codice Code	€
Cromo Chrome	BN COL C RPRR 0017	207,85

ROUND-T

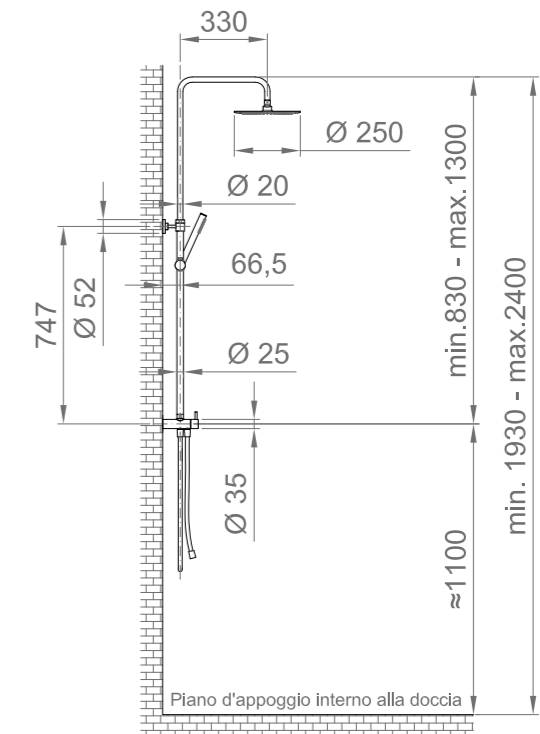
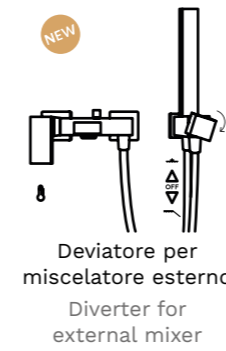


Colonna doccia telescopica
Soffione: ABS, 200x200mm
Flessibile: a doppia aggraffatura in metallo
Doccetta: ABS

Telescopic shower column
Shower head: ABS, 200x200mm
Metal double interlock flexible hose
Hand shower: ABS

Finitura Finishing	Codice Code	€
Cromo Chrome	BN COL C RPRR 0018	225,10

ROUND-T



Colonna doccia telescopica
Soffione: acciaio inox, Ø250mm
Flessibile: PVC antitorsione
Doccetta: metallo

Telescopic shower column
Shower head: stainless steel, Ø250mm
Hose: PVC anti-twist
Hand shower: metal

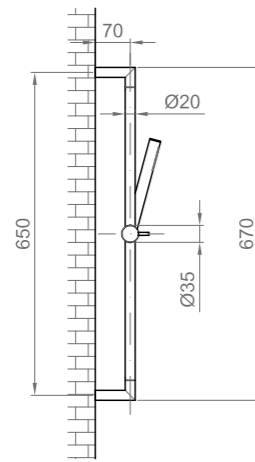
Finitura Finishing	Codice Code	€
Nero Opaco Black Matt	BN COL K RPRR 0019	331,64



ASTE DOCCIA SHOWER RAILS



STILOX

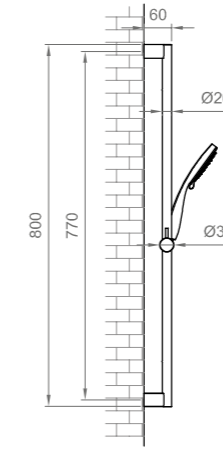


Asta doccia tonda in acciaio inox spazzolato.
Flessibile in PVC antitorsione 1500 mm.
Doccetta in acciaio inox spazzolato ad una funzione

Round brushed stainless steel shower rail
Anti-twist PVC hose 1500 mm
Brushed stainless steel hand shower with one setting

Finitura Finishing	Codice Code	€
Acciaio Spazzolato Brushed Steel	BN STL X AS41	310,46

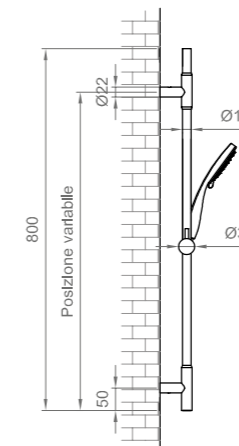
ROUND



Asta doccia tonda.
Flessibile in PVC antitorsione 1500 mm.
Doccetta in ABS a due funzioni.

Round chrome shower rail.
Conical anti-twist hose (1500 mm).
ABS hand shower with two settings.

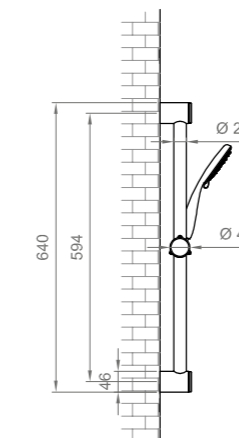
Finitura Finishing	Codice Code	€
Cromo Chrome	BN AST C AS40	90,13
Nero Opaco Black Matt	BN AST K AS42	121,13



Asta doccia tonda.
Flessibile in PVC antitorsione 1500 mm.
Doccetta in ABS a due funzioni.
Fissaggio a muro regolabile in altezza.

Round chrome shower rail.
Conical anti-twist hose (1500 mm).
ABS hand shower with two settings.
Wall fixing system with adjustable height.

Finitura Finishing	Codice Code	€
Cromo Chrome	BN AST C AS61	49,92



Asta doccia tonda.
Flessibile a doppia aggraffatura (1500mm).
Doccetta in ABS, 3 getti/5 funzioni.

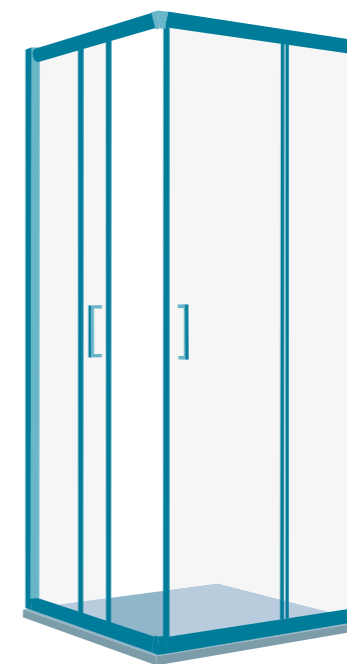
Round chrome shower rail.
Metal double interlock flexible hose (1500 mm).
ABS hand shower, 3 jet/5-setting.

Finitura Finishing	Codice Code	€
Cromo Chrome	BN AST C AS07	52,00

BOX DOCCIA
SHOWER ENCLOSURES

GOLD | 107

REX | 121

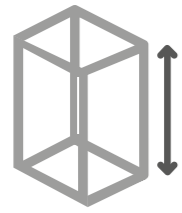


GOLD



GOLD

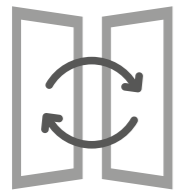
CARATTERISTICHE TECNICHE | TECHNICAL SPECES



Altezza | Height
1900 mm



Vetro | Glass
6 mm



Reversibile | Reversible



Ante sganciabili
Detachable doors

FINITURE STANDARD PROFILI STANDARD FRAME FINISHES



Alluminio spazzolato
Brushed aluminium

FINITURE STANDARD VETRO STANDARD GLASS FINISHES

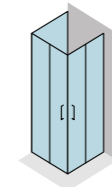
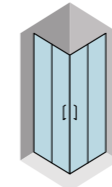


Trasparente
Clear

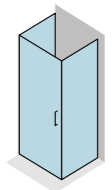
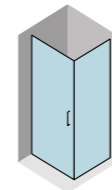
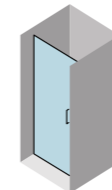
GOLD

COMPATIBILITÀ | COMBINATIONS

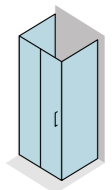
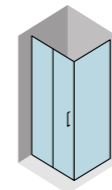
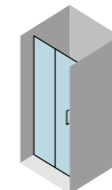
Angolo con porte scorrevoli Corner with sliding doors



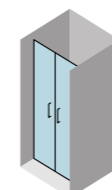
Porta battente pivotante (per nicchia o per angolo) Pivot door (for niche or corner)



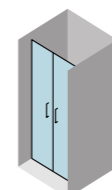
Porta scorrevole (per nicchia o per angolo) Sliding doors (for niche or corner)



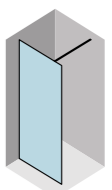
Porta saloon Saloon door



Porta a soffietto Folding door



Walk in



GOLD

ANGOLO CON PORTE SCORREVOLI CORNER WITH SLIDING DOORS



COMPONIBILITÀ | COMBINATIONS



⚠ Ogni codice corrisponde ad un lato. Per formare il box sommare due lati (A+A)
Each code equals one side. To build your enclosure, just add 2 sides (A+A)

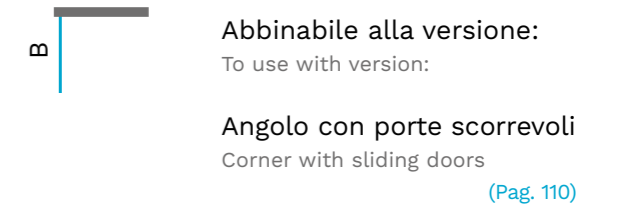
Lunghezza mm (A) Length mm (A)	Apertura mm Opening mm	Kg	Codice Code	€
670-690	230	22	BB GOL T PSAN 0070	198,00
720-740	255	24	BB GOL T PSAN 0075	203,50
770-790	280	25	BB GOL T PSAN 0080	209,00
870-890	330	28	BB GOL T PSAN 0090	220,00
970-990	380	31	BB GOL T PSAN 0100	236,50
1170-1190	480	33	BB GOL T PSAN 0120	264,00

GOLD

PARETE FISSA FIXED PANEL



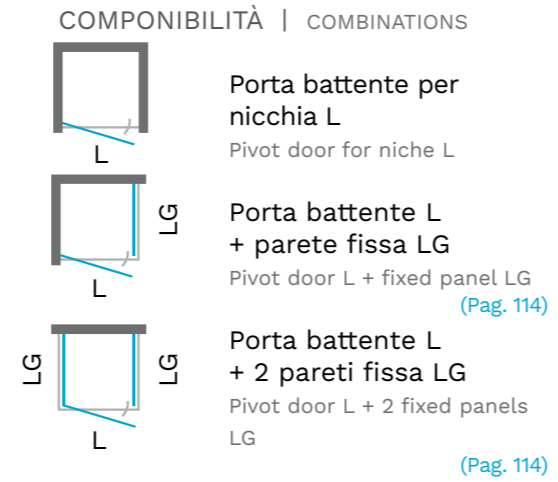
COMPONIBILITÀ | COMBINATIONS



Lunghezza mm (B) Length mm (B)	Kg	Codice Code	€
670-690	22	BB GOL T FA70	220,00
720-740	23,9	BB GOL T FA75	225,50
770-790	25,7	BB GOL T FA80	231,00
870-890	27,2	BB GOL T FA90	236,50

GOLD

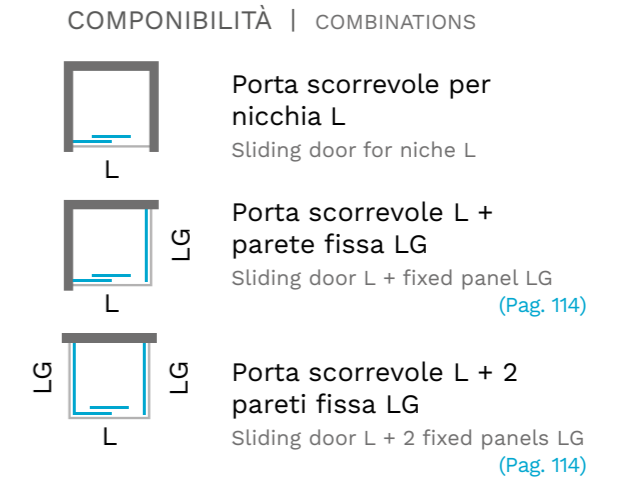
PORTA BATTENTE PIVOTTANTE (PER NICCHIA O PER ANGOLO) PIVOT DOOR (FOR NICHE OR CORNER)



Lunghezza mm (L) Length mm (L)	Apertura mm Opening mm	Kg	Codice Code	€
680-720	430	22	BB GOL T PG70	319,00
730-770	485	24	BB GOL T PG75	324,50
780-820	530	25	BB GOL T PG80	341,00
880-920	630	29	BB GOL T PG90	352,00

GOLD

PORTA SCORREVOLE (PER NICCHIA O PER ANGOLO) SLIDING DOORS (FOR NICHE OR CORNER)



Lunghezza mm (L) Length mm (L)	Apertura mm Opening mm	Kg	Codice Code	€
980-1020	385	33	BB GOL T PS10	308,00
1080-1120	435	35	BB GOL T PS11	335,50
1180-1220	485	39	BB GOL T PS12	346,50
1380-1420	585	46	BB GOL T PS14	379,50
1580-1620	685	52	BB GOL T PS16	412,50
1680-1720	735	55	BB GOL T PS17	429,00

GOLD**PARETE FISSA**
FIXED PANEL

COMPONIBILITÀ | COMBINATIONS



Abbinabile a:
To use with:

Porta scorrevole standard
Standard sliding door
(pag. 113)

Porta battente pivottante
standard
Standard pivot door
(pag.112)

Lunghezza mm (LG) Length mm (LG)	Kg	Codice Code	€
680-700	22	BB GOL T PF70	220,00
730-750	24	BB GOL T PF75	225,50
780-800	25	BB GOL T PF80	231,00
880-900	28	BB GOL T PF90	247,50

GOLD**PORTA SALOON**
SALOON DOOR

COMPONIBILITÀ | COMBINATIONS



Porta saloon per nicchia L
Saloon door for niche L

Lunghezza mm (L) Length mm (L)	Apertura mm Opening mm	Kg	Codice Code	€
660-700	500	24,5	BB PLA T PS70	385,00
760-800	600	26,5	BB PLA T PS80	407,00
860-900	700	30	BB PLA T PS90	418,00
960-1000	800	30,5	BB PLA T PS10	429,00
1160-1200	1000	32,5	BB PLA T PS12	440,00

GOLD

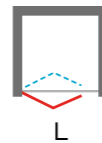
PORTA A SOFFIETTO FOLDING DOOR



COMPONIBILITÀ | COMBINATIONS



Porta soffietto per nicchia
L
Folding door for niche L



⚠ Porta con apertura
antipanico verso l'esterno
Door with outward anti-panic
opening

Lunghezza mm (L) Length mm (L)	Apertura mm Opening mm	Kg	Codice Code	€
680-720	425	24	BB GOL T SF70	385,00
730-770	475	25,5	BB GOL T SF75	390,50
780-820	525	27	BB GOL T SF80	401,50
880-90	625	30	BB GOL T SF90	412,50
980-1020	725	33	BB GOL T SF10	423,50

GOLD

WALK-IN



COMPONIBILITÀ | COMBINATIONS



Lunghezza staffa
(tagliabile)
Bracket length (can be cut)
max 1200 mm

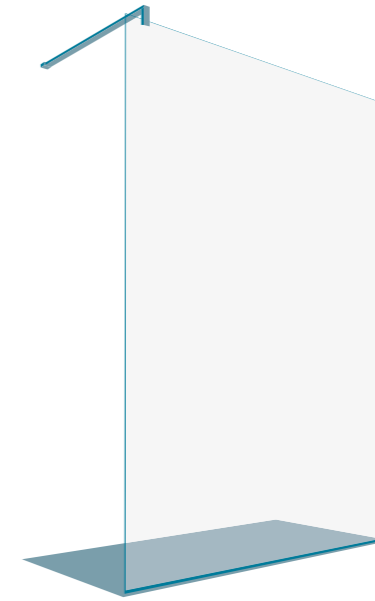


Lunghezza staffa
(tagliabile)
Bracket length (can be cut)
max 300 mm

Staffe di rinforzo in alluminio
Aluminium reinforcement brackets



Lunghezza mm (L) Length mm (L)	Kg	Codice Code	€
680-700 (A)	23	BB GOL T FW70	291,50
780-800 (A)	25,5	BB GOL T FW80	297,00
880-900 (A)	30	BB GOL T FW90	302,50
980-1000 (P)	33	BB GOL T W110	308,00
1180-1200 (P)	39	BB GOL T W112	330,00
1380-1400 (P)	46	BB GOL T W114	368,50

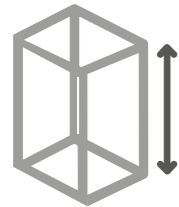


REX

REX

WALK IN

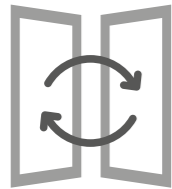
CARATTERISTICHE TECNICHE | TECHNICAL SPECES



Altezza | Height
2000 mm



Vetro | Glass
8 mm



Reversibile | Reversible

FINITURE STANDARD PROFILI STANDARD FRAME FINISHES

 Alluminio brillantato | Polished aluminum

 Alluminio nero opaco | Black Matt aluminum

FINITURE STANDARD VETRO STANDARD GLASS FINISH

 Trasparente | Clear

REX

WALK IN

COMPONIBILITÀ | COMBINATIONS

Staffe di rinforzo in alluminio
Aluminium reinforcement brackets



Lunghezza staffa (tagliabile)
Bracket length (can be cut)
Max 1200 mm



Lunghezza mm (A) Length mm (A)	Kg	Finitura Finishing	Codice Code	€
980-1000	48	Alluminio brillantato Polished aluminium	BB REX C WALK 0010	390,50
980-1000	48	Nero Opaco Black Matt	BB REX K WALK 0010	401,50
1180-1200	56	Alluminio brillantato Polished aluminium	BB REX C WALK 0012	434,50
1180-1200	56	Nero Opaco Black Matt	BB REX K WALK 0012	451,00
1380-1400	64	Alluminio brillantato Polished aluminium	BB REX C WALK 0014	489,50
1380-1400	64	Nero Opaco Black Matt	BB REX K WALK 0014	495,00
1580-1600	72	Alluminio brillantato Polished aluminium	BB REX C WALK 0016	517,00
1580-1600	72	Nero Opaco Black Matt	BB REX K WALK 0016	550,00

MISCELATORI
MIXERS

STILOX

| 127



VIKTOR

| 143

VERSILIA

| 157

ITALIA R

| 169

ECOSTYLE

| 181

CUCINA

KITCHEN TAPS

| 189



STILOX

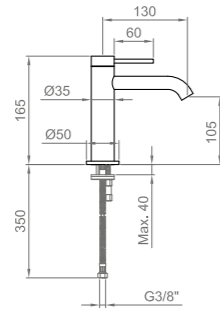
FINITURA | FINISHING



Acciaio spazzolato
Brushed steel



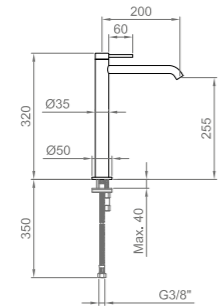
STILOX



Miscelatore lavabo in acciaio inox senza piletta di scarico

Basin mixer without waste in stainless steel

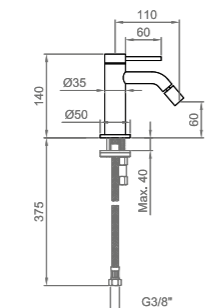
Finitura Finishing	Codice Code	€	Piletta Consigliata Recommended waste
Acciaio Spazzolato Brushed Steel	BT STL X LA01	210,65	BT STL X VR66



Miscelatore lavabo alto in acciaio inox senza piletta di scarico

Basin mixer with high spout in stainless steel, no waste

Finitura Finishing	Codice Code	€	Piletta Consigliata Recommended waste
Acciaio Spazzolato Brushed Steel	BT STL X LA03	273,62	BT STL X VR66

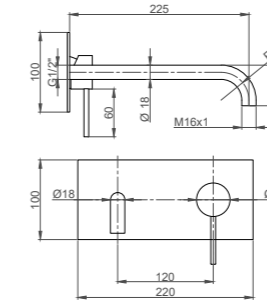


Miscelatore bidet in acciaio inox senza piletta di scarico, aeratore orientabile

Bidet mixer in stainless steel without waste and swivelling aerator

Finitura Finishing	Codice Code	€	Piletta Consigliata Recommended waste
Acciaio Spazzolato Brushed Steel	BT STL X BI01	210,65	BT STL X VR66

STILOX

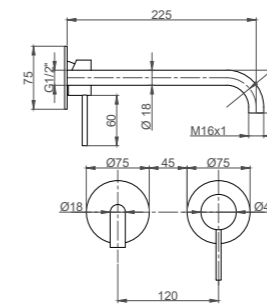


Set esterno per miscelatore lavabo a parete in acciaio inox: piastra unica rettangolare + bocca 220 mm + leva.

Da completare con incasso.

External set for wall-mounted basin mixer in stainless steel: rectangular single plate + 220 mm spout + handle. To be completed with concealed body.

Finitura Finishing	Codice Code	€	Piletta Consigliata Recommended waste	Incasso compatibile Compatible concealed body
Acciaio Spazzolato Brushed Steel	BT STL X LA06	201,05	BT STL X VR66	BT UNI X IN05 / IN14

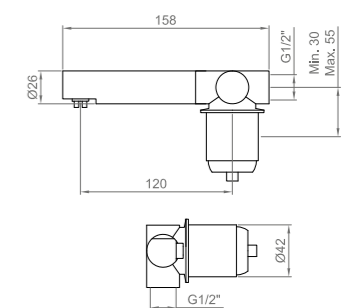
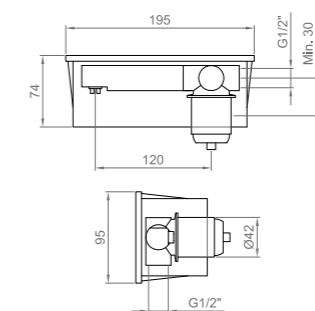


Set esterno per miscelatore lavabo a parete in acciaio inox: due piastre tonde separate + bocca 220 mm + leva.

Da completare con incasso.

External set for wall-mounted basin mixer in stainless steel: two round plates + 220 mm spout + handle. To be completed with concealed body.

Finitura Finishing	Codice Code	€	Piletta Consigliata Recommended waste	Incasso compatibile Compatible concealed body
Acciaio Spazzolato Brushed Steel	BT STL X LA07	197,72	BT STL X VR66	BT UNI X IN05 / IN14



BT UNI X IN05

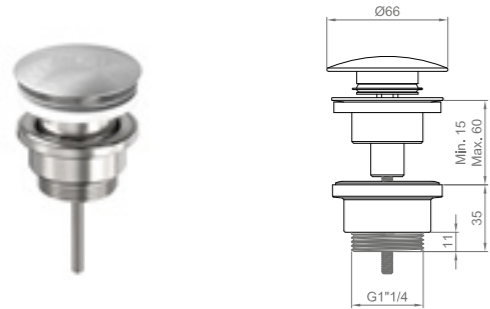
BT UNI X IN14

Corpo incasso lavabo. Disponibile con o senza box per ispezione.

Concealed body for basin mixer. Available with or without box for service.

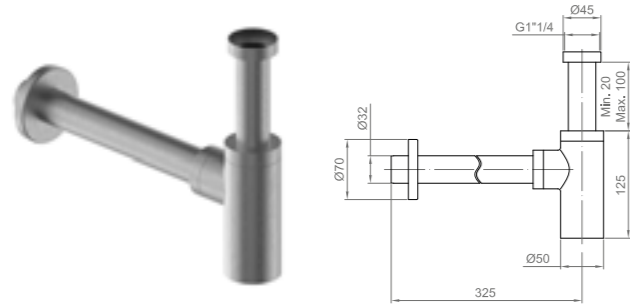
Finitura Finishing	Box	Codice Code	€	Set esterno compatibile Compatible external set
Acciaio Spazzolato Brushed Steel	x	BT UNI X IN05	175,76	BT STL X LA06 / LA07
Acciaio Spazzolato Brushed Steel		BT UNI X IN14	138,32	BT STL X LA06 / LA07

STILOX



Piletta tonda 1" 1/4 click clack in acciaio inox e possibilità di configurarla a scarico libero. Compatibile con lavabi con/senza troppo pieno.
Stainless steel 1" 1/4 click clack waste and free flow option. Compatible with basins with/without overflow.

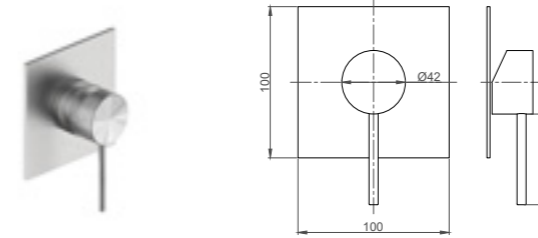
Finitura Finishing	Codice Code	€
Acciaio Spazzolato Brushed Steel	BT STL X VR66	51,08



Sifone tondo 1"1/4 in acciaio inox
1" 1/4 round bottle trap

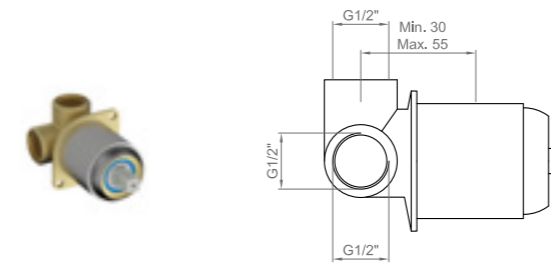
Finitura Finishing	Codice Code	€
Acciaio Spazzolato Brushed Steel	BT STL X VR40	197,37

STILOX - 1 via | STILOX - 1 way



Set esterno per incasso doccia in acciaio inox, 1 via: piastra quadra + leva.
Da completare con incasso.
External set for concealed 1-way shower mixer in stainless steel: plate + handle.
To be completed with concealed body.

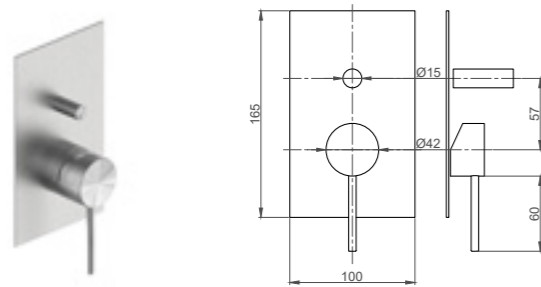
Finitura Finishing	Codice Code	€	Incasso compatibile Compatible concealed body
Acciaio Spazzolato Brushed Steel	BT STL X D001	71,76	BT UNI X IN03



Corpo incasso doccia, 1 via
Concealed 1-way shower mixer

Finitura Finishing	Codice Code	€	Set esterno compatibile Compatible external set
Acciaio Spazzolato Brushed Steel	BT UNI X IN03	82,16	BT STL X D001

STILOX - 2 vie | STILOX - 2 ways

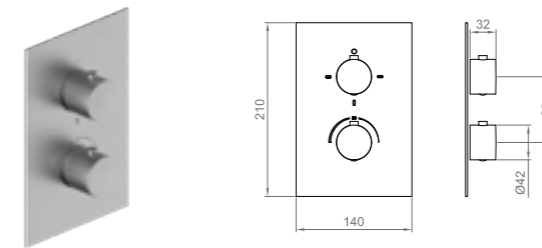


Set esterno per incasso doccia in acciaio inox, 2 vie: piastra rettangolare + leva + manopola deviatore. Da completare con incasso.

External set for concealed 2-way shower mixer in stainless steel: plate + handle + water diverter. To be completed with concealed body.

Finitura Finishing	Codice Code	€	Incasso compatibile Compatible concealed body
Acciaio Spazzolato Brushed Steel	BT STL X DO04	139,36	BT UNI X IN04 / IN07

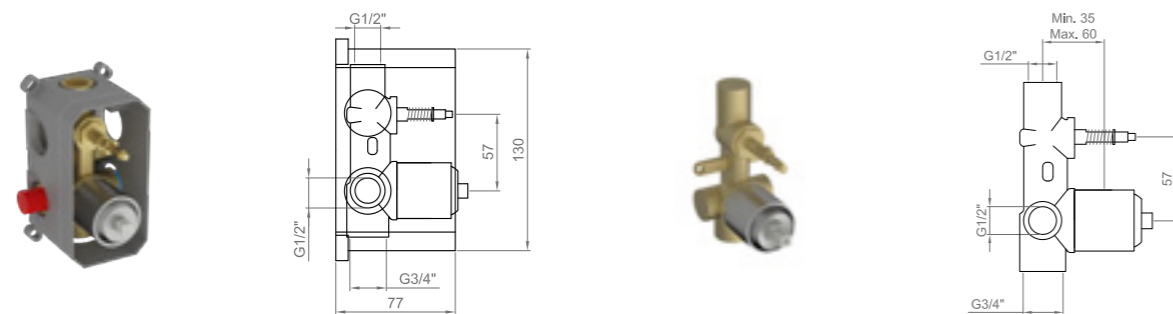
STILOX - termostatico | STILOX - thermostatic



Set esterno per incasso doccia termostatico in acciaio inox, 2/3 vie: piastra + manopola temperatura + manopola deviatore. Da completare con incasso.

External set for concealed thermostatic body in stainless steel, 2/3-way shower: plate + temperature handle + diverter handle. To be completed with concealed body.

Finitura Finishing	Numero vie Number of ways	Codice Code	€	Incasso compatibile Compatible concealed body
Acciaio Spazzolato Brushed Steel	2	BT STL X TR01	135,89	BT STL X IN01
Acciaio Spazzolato Brushed Steel	3	BT STL X TR02	144,08	BT STL X IN01



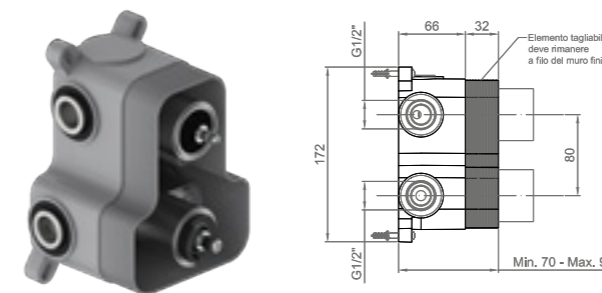
BT UNI X IN07

BT UNI X IN04

Corpo incasso doccia, 2 vie. Disponibile con o senza box per ispezione.

Concealed body for 2-way shower mixer. Available with or without box for service.

Finitura Finishing	Box	Codice Code	€	Set esterno compatibile Compatible external set
Acciaio Spazzolato Brushed Steel	X	BT UNI X IN07	186,16	BT STL X DO04
Acciaio Spazzolato Brushed Steel		BT UNI X IN04	144,56	BT STL X DO04

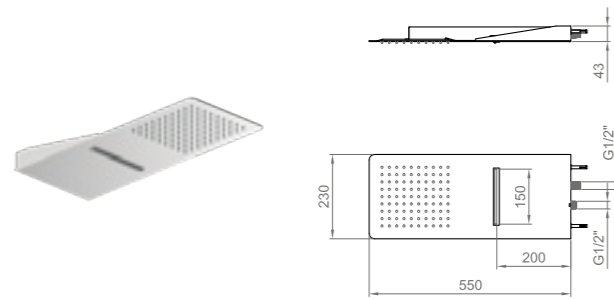


Box + corpo incasso doccia termostatico in acciaio inox, 2 o 3 vie + cover di protezione cantiere con livella integrata

Box + concealed body for 2 or 3-ways thermostatic shower mixer in stainless steel + protection cover with integrated level

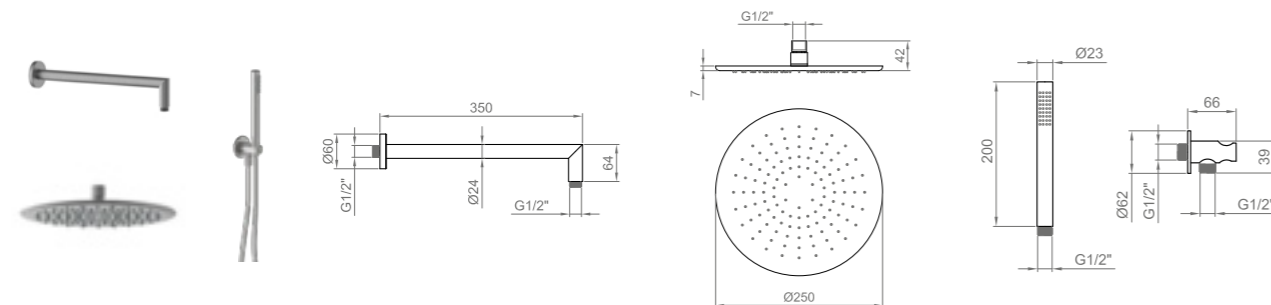
Finitura Finishing	Numero vie Number of ways	Codice Code	€	Set esterno compatibile Compatible external set
Acciaio Spazzolato Brushed Steel	2/3	BT STL X IN01	456,79	BT STL X TR01 / TR02

STILOX



Soffione in acciaio inox, ultrapiatto, con erogazione effetto **PIOGGIA/CASCATA** integrata e sistema di attacco a parete
Ultra flat stainless steel shower head with RAIN/WATERFALL supply, with wall mounting system

Dimensioni mm Dimension mm	Finitura Finishing	Codice Code	€
550x230	Acciaio Spazzolato Brushed Steel	BN STL X SF33	539,76

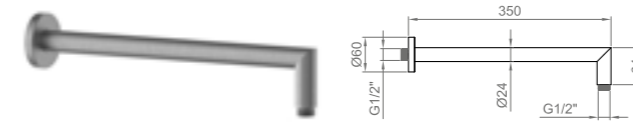


Soffione e braccio doccia in acciaio inox. Supporto fisso per doccetta con presa d'acqua integrata, flessibile in PVC antitorsione 1500 mm, doccetta in acciaio inox

Shower head and shower arm in stainless steel. Wall outlet with hand shower holder, 1500 mm anti-twist hose and stainless steel stick hand shower.

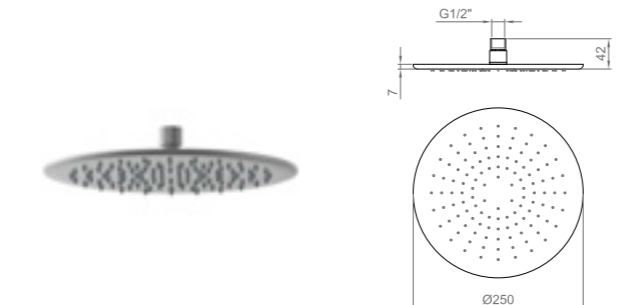
Dim. soffione mm Shower head size mm	Dim. braccio mm Shower arm's length mm	Finitura Finishing	Codice Code	€
Ø 250	L 350	Acciaio Spazzolato Brushed Steel	BN STL X KT21	319,43

STILOX



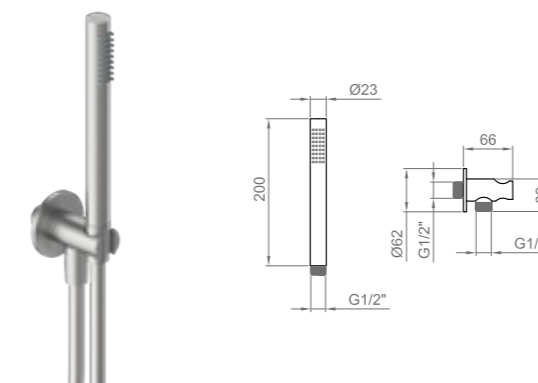
Braccio doccia 350 mm in acciaio inox
Stainless steel shower arm 350 mm

Dimensioni mm Dimension mm	Finitura Finishing	Codice Code	€
L 350	Acciaio Spazzolato Brushed Steel	BN STL X BR35	69,53



Soffione in acciaio inox
Stainless steel shower head

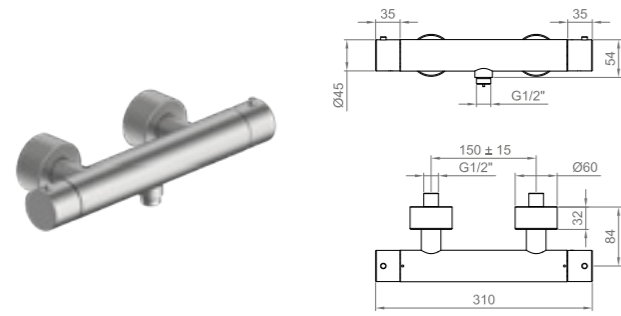
Dimensioni mm Dimension mm	Finitura Finishing	Codice Code	€
Ø 250	Acciaio Spazzolato Brushed Steel	BN STL X SF25	146,98



Supporto doccia fisso in acciaio inox con presa d'acqua integrata.
Flessibile in PVC antitorsione (1500mm).
Doccetta in acciaio Inox
Fixed stainless steel wall outlet with hand shower holder.
PVC anti-twist hose (1500mm) and stainless steel hand shower

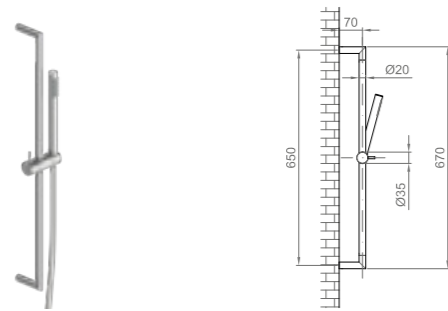
Finitura Finishing	Codice Code	€
Acciaio Spazzolato Brushed Steel	BN STL X KT22	119,20

STILOX



Miscelatore esterno doccia termostatico in acciaio inox
Wall mounted thermostatic mixer for shower in stainless steel

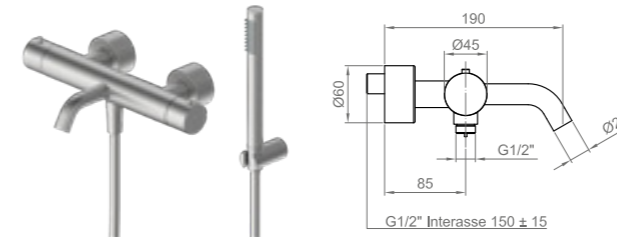
Finitura Finishing	Codice Code	€
Acciaio Spazzolato Brushed Steel	BT STL X TR03	2377,52



Asta doccia tonda in acciaio inox. Flessibile in PVC antitorsione (1500mm).
Doccetta in acciaio inox
Round stainless steel shower rail
PVC anti-twist hose (1500mm)
Brushed stainless steel hand shower

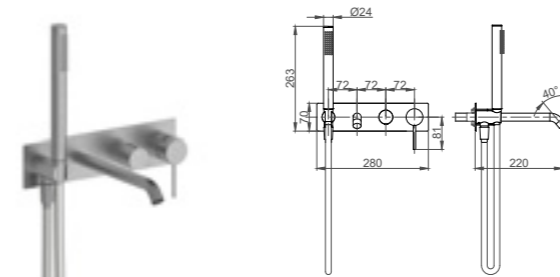
Finitura Finishing	Codice Code	€
Acciaio Spazzolato Brushed Steel	BN STL X AS41	310,46

STILOX



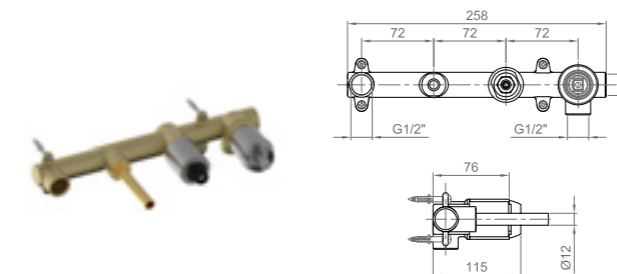
Miscelatore termostatico esterno vasca in acciaio inox. In dotazione flessibile in PVC antitorsione, doccetta e supporto per doccetta.
Wall mounted thermostatic bath mixer in stainless steel with PVC anti-twist hose, hand shower and hand shower holder.

Finitura Finishing	Codice Code	€
Acciaio Spazzolato Brushed Steel	BT STL X VA01	2945,33



Set esterno per incasso vasca.
Da completare con incasso.
External set for concealed bathtub mixer. To be completed with concealed body.

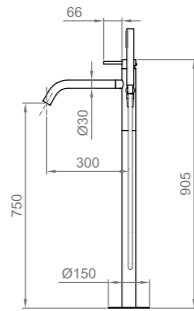
Finitura Finishing	Codice Code	€	Incasso compatibile Compatible concealed body
Acciaio Spazzolato Brushed Steel	BT STL X VA08	379,60	BT UNI X IN10



Corpo incasso vasca
Concealed body for bathtub mixer

Finitura Finishing	Codice Code	€	Set esterno compatibile Compatible external set
Acciaio Spazzolato Brushed Steel	BT UNI X IN10	297,44	BT STL X VA08

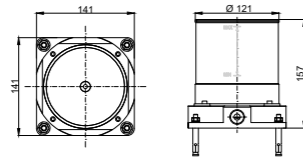
STILOX



Miscelatore da terra per vasca in acciaio inox. In dotazione flessibile antitorsione in PVC 1500 mm e doccia. Solo parte esterna. Da completare con incasso.

Standing bath mixer in stainless steel with 1500 mm anti-twist PVC hose and handshower. External part only. To be completed with concealed body.

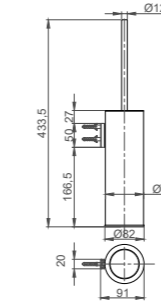
Finitura Finishing	Codice Code	€	Incasso compatibile Compatible concealed body
Acciaio Spazzolato Brushed Steel	BT STL X VA06	1976,00	BT UNI X IN12



Corpo incasso per colonna da terra per vasca
Concealed body for standing bath mixer

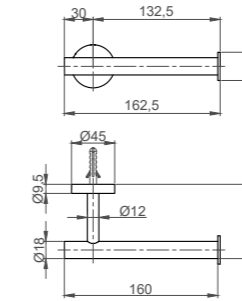
Codice Code	€	Set esterno compatibile Compatible external set
BT UNI X IN12	265,20	BT STL X VA06

STILOX



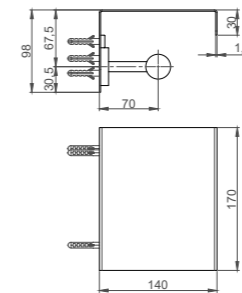
Portascopino a parete
Wall-mounted brush holder

Finitura Finishing	Codice Code	€
Acciaio Spazzolato Brushed Steel	BH ACS X SC01	186,16



Porta rotolo
Roll holder

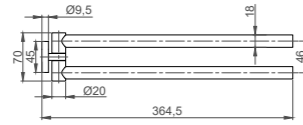
Finitura Finishing	Codice Code	€
Acciaio Spazzolato Brushed Steel	BH ACS X CA01	92,56



Porta rotolo con coperchio
Roll holder with lid

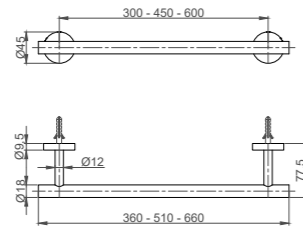
Finitura Finishing	Codice Code	€
Acciaio Spazzolato Brushed Steel	BH ACS X CA02	139,36

STILOX



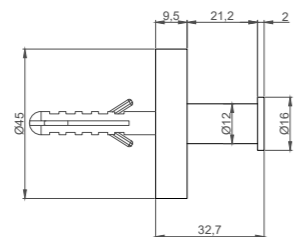
Porta asciugamani a snodo
Swivel towel holder

Finitura Finishing	Codice Code	€
Acciaio Spazzolato Brushed Steel	BH ACS X SA03	180,96



Porta asciugamani
Towel holder

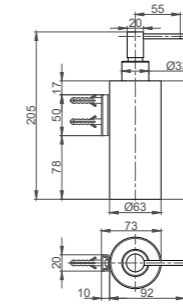
Dimensioni mm Dimension mm	Finitura Finishing	Codice Code	€
L. 360	Acciaio Spazzolato Brushed Steel	BH ACS X SA02	118,56
L. 510	Acciaio Spazzolato Brushed Steel	BH ACS X SA04	145,60
L. 660	Acciaio Spazzolato Brushed Steel	BH ACS X SA01	180,96



Appendiabiti
Hook

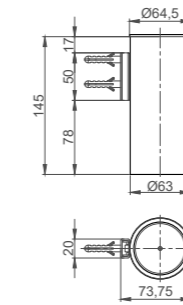
Finitura Finishing	Codice Code	€
Acciaio Spazzolato Brushed Steel	BH ACS X AP01	40,56

STILOX



Portasapone a parete
Wall-mounted soap dispenser

Finitura Finishing	Codice Code	€
Acciaio Spazzolato Brushed Steel	BH ACS X DI01	175,76



Portabicchiere a parete
Wall-mounted toothbrush holder

Finitura Finishing	Codice Code	€
Acciaio Spazzolato Brushed Steel	BH ACS X PP01	81,12



VIKTOR

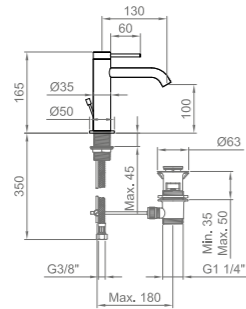
FINITURA | FINISHING



Cromo
Chromed

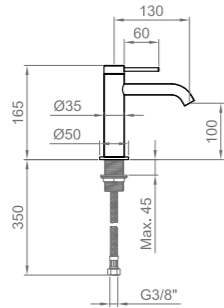


VIKTOR



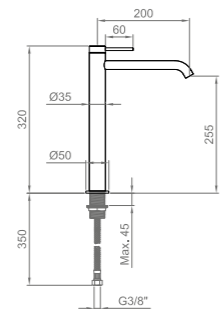
Miscelatore lavabo con piletta di scarico
Basin mixer with drain

Finitura Finishing	Codice Code	€
Cromo Chrome	BT VIK C LA02	95,84



Miscelatore lavabo senza piletta di scarico
Basin mixer without drain

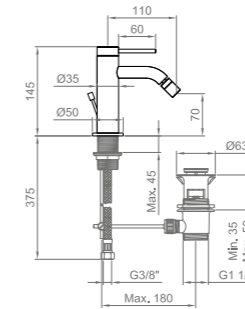
Finitura Finishing	Codice Code	€	Piletta Consigliata Recommended drain
Cromo Chrome	BT VIK C LA01	87,43	BT SCA C VR51



Miscelatore lavabo alto senza piletta di scarico
Basin mixer with high spout, no drain

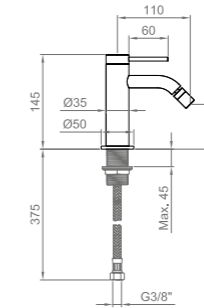
Finitura Finishing	Codice Code	€	Piletta Consigliata Recommended drain
Cromo Chrome	BT VIK C LA03	118,04	BT SCA C VR51

VIKTOR



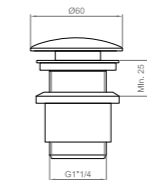
Miscelatore bidet con piletta di scarico,
aeratore orientabile
Bidet mixer with drain and swivelling aerator

Finitura Finishing	Codice Code	€
Cromo Chrome	BT VIK C BI02	95,84



Miscelatore bidet senza piletta di scarico,
aeratore orientabile
Bidet mixer without drain and swivelling aerator

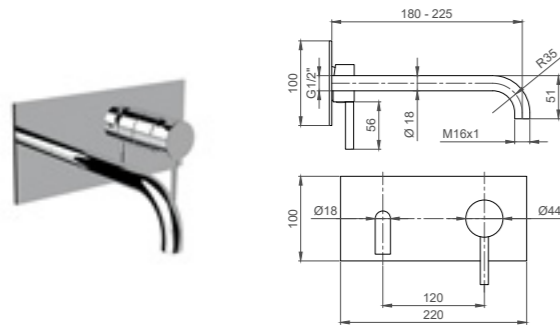
Finitura Finishing	Codice Code	€	Piletta Consigliata Recommended drain
Cromo Chrome	BT VIK C BI01	87,43	BT SCA C VR51



Piletta tonda 1" 1/4 click clack. Compatibile con
lavabi senza troppo pieno
1" 1/4 click clack waste. Compatible with basins without
overflow.

Finitura Finishing	Codice Code	€
Cromo Chrome	BT SCA C VR51	21,28

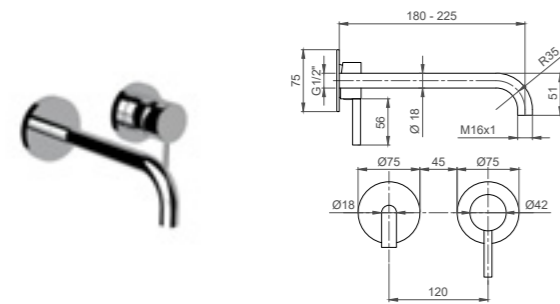
VIKTOR



Set esterno per miscelatore lavabo a parete: piastra unica rettangolare. Da completare con incasso.

External set for wall-mounted basin mixer: single rectangular plate. To be completed with concealed body.

L bocca mm Spout length mm	Finitura Finishing	Codice Code	€	Piletta Consigliata Recommended drain	Incasso compatibile Compatible concealed body
180	Cromo Chrome	BT VIK C LA04	110,79	BT SCA C VR51	BT UNI C IN05 / IN14
225	Cromo Chrome	BT VIK C LA07	137,40	BT SCA C VR51	BT UNI C IN05 / IN14



Set esterno per miscelatore lavabo a parete: due piastre tonde separate. Da completare con incasso.

External set for wall-mounted basin mixer: two round plates. To be completed with concealed body.

Il sistema a piastre separate obbliga la piastrellatura totale del box annullandone tutti i benefici di ispezione e pulizia

The 2-plate system makes it so that the box must be completely tiled, eliminating all the benefits of inspection and cleaning

L bocca mm Spout length mm	Finitura Finishing	Codice Code	€	Piletta Consigliata Recommended drain	Incasso compatibile Compatible concealed body
180	Cromo Chrome	BT VIK C LA05	147,79	BT SCA C VR51	BT UNI C IN05 / IN14
225	Cromo Chrome	BT VIK C LA08	178,33	BT SCA C VR51	BT UNI C IN05 / IN14

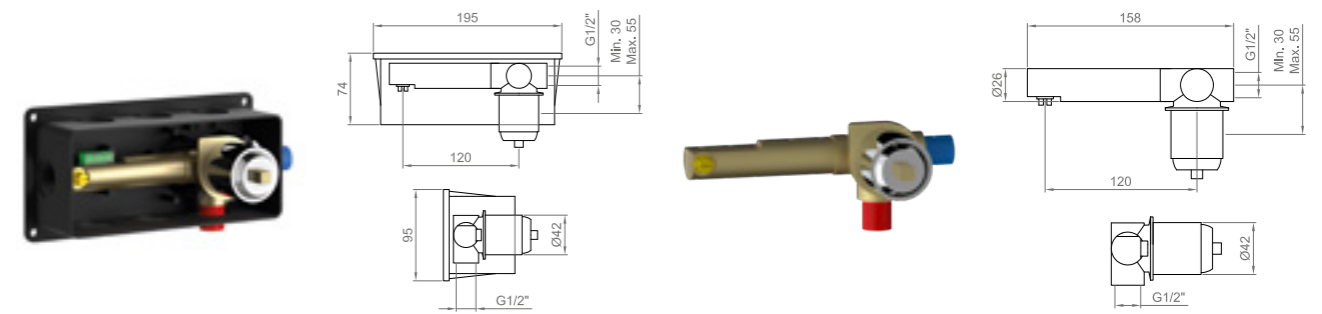


Piletta tonda 1" 1/4 click clack. Compatibile con lavabi senza troppo pieno

1" 1/4 click clack waste. Compatible with basins without overflow.

Finitura Finishing	Codice Code	€
Cromo Chrome	BT SCA C VR51	21,28

VIKTOR



BT UNI C IN05

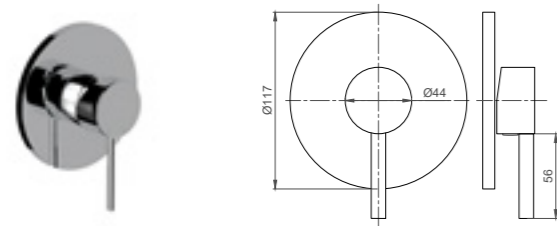
BT UNI C IN14

Corpo incasso lavabo UNIVERSALE. Disponibile con o senza box per ispezione.

UNIVERSAL concealed body for body for basin mixer. Available with or without box for service.

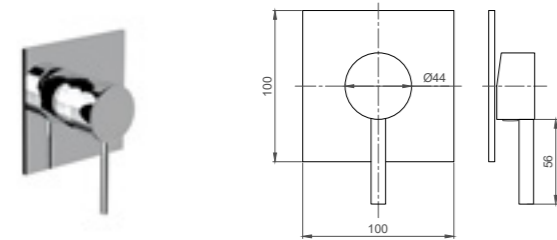
Finitura Finishing	Box	Codice Code	€	Set esterno compatibile Compatible external set
Cromo Chrome	X	BT UNI C IN05	93,60	BT VIK C LA04 / LA05 / LA07 / LA08
Cromo Chrome		BT UNI C IN14	78,00	BT VIK C LA04 / LA05 / LA07 / LA08

VIKTOR - 1 via | VIKTOR - 1 way



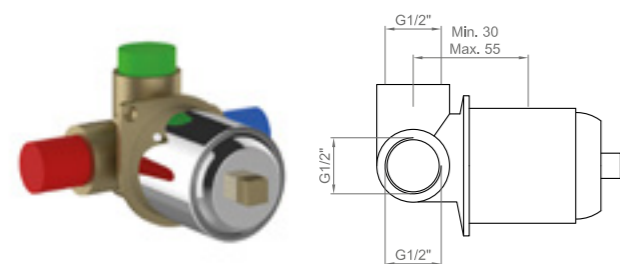
Set esterno per incasso doccia, 1 via: piastra tonda + leva. Da completare con incasso
 External set for concealed 1-way shower mixer: round plate + handle. To be completed with concealed body.

Finitura Finishing	Codice Code	€	Incasso compatibile Compatible concealed body
Cromo Chrome	BT VIK C IN02	21,52	BT UNI C IN03



Set esterno per incasso doccia, 1 via: piastra quadra + leva. Da completare con incasso.
 External set for concealed 1-way shower mixer: square plate + handle. To be completed with concealed body.

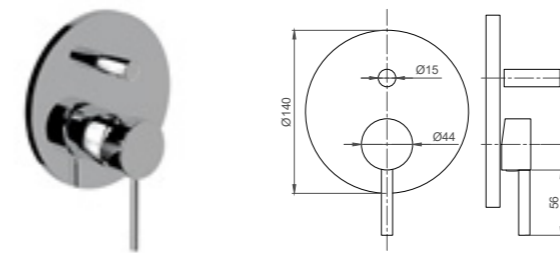
Finitura Finishing	Codice Code	€	Incasso compatibile Compatible concealed body
Cromo Chrome	BT VIK C IN03	35,21	BT UNI C IN03



Corpo incasso doccia UNIVERSALE, 1 via
 UNIVERSAL concealed body for 1-way shower mixer

Finitura Finishing	Codice Code	€	Set esterno compatibile Compatible external set
Cromo Chrome	BT UNI C IN03	36,40	BT VIK C IN02 / IN03

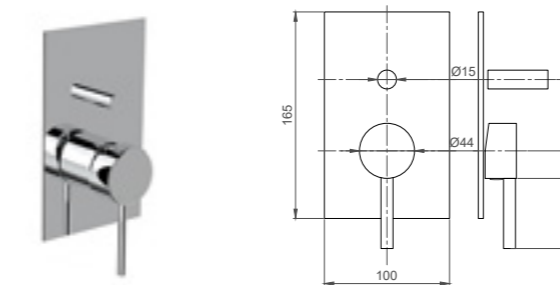
VIKTOR - 2 vie | VIKTOR - 2 ways



Set esterno per incasso doccia, 2 vie: piastra tonda + leva + manopola deviatore. Da completare con incasso.
 External set for UNIVERSAL concealed body for 2-way shower mixer, round plate. To be completed with concealed body.

External set for UNIVERSAL concealed body for 2-way shower mixer, round plate. To be completed with concealed body.

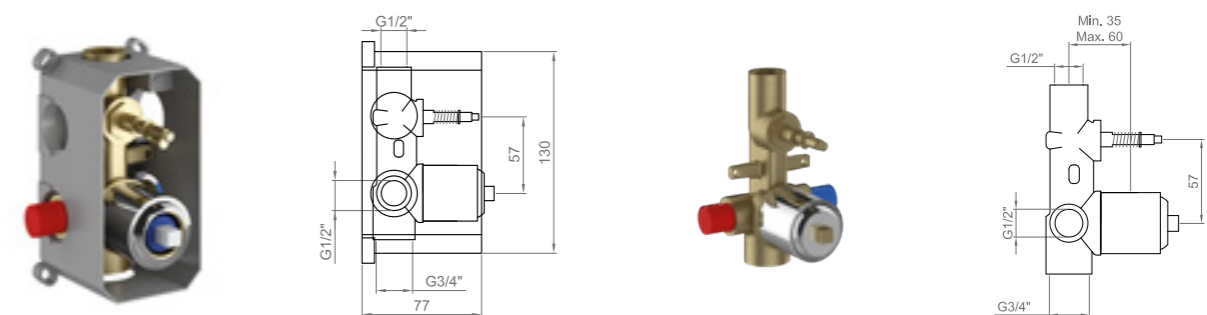
Finitura Finishing	Codice Code	€	Incasso compatibile Compatible concealed body
Cromo Chrome	BT VIK C IN04	36,89	BT UNI C IN04



Set esterno per incasso doccia, 2 vie: piastra rettangolare + leva + manopola deviatore. Da completare con incasso.
 External set for concealed 2-way shower mixer, rectangular plate. To be completed with concealed body.

External set for concealed 2-way shower mixer, rectangular plate. To be completed with concealed body.

Finitura Finishing	Codice Code	€	Incasso compatibile Compatible concealed body
Cromo Chrome	BT VIK C IN05	51,04	BT UNI C IN04 / IN07



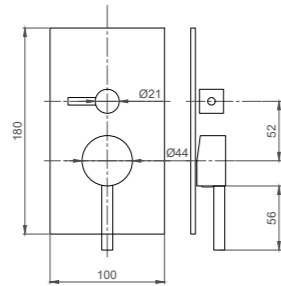
BT UNI C IN07

BT UNI C IN04

Corpo incasso doccia UNIVERSALE, 2 vie. Disponibile con o senza box per ispezione.
 UNIVERSAL concealed body for 2-way shower mixer. Available with or without box for service.

Finitura Finishing	Box	Codice Code	€	Set esterno compatibile Compatible external set
Cromo Chrome	X	BT UNI C IN07	72,80	BT VIK C IN05
Cromo Chrome		BT UNI C IN04	62,40	BT VIK C IN04 / IN05

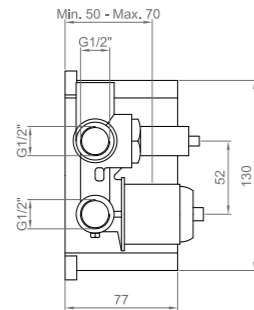
VIKTOR - 3 vie | **VIKTOR - 3 ways**



Set esterno per incasso doccia, 3 vie: piastra rettangolare + leva + manopola deviatore. Da completare con incasso.

External set for concealed 3-way shower mixer, rectangular plate. To be completed with concealed body.

Finitura Finishing	Codice Code	€	Incasso compatibile Compatible concealed body
Cromo Chrome	BT VIK C IN01	74,11	BT UNI C IN06

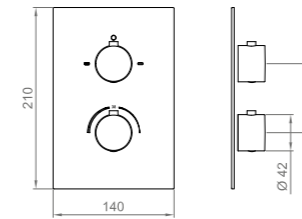
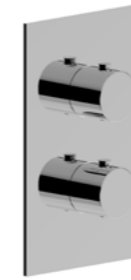


Box per ispezione + corpo incasso doccia UNIVERSALE, 3 vie

Box + UNIVERSAL concealed body for 3-way shower mixer

Finitura Finishing	Codice Code	€	Set esterno compatibile Compatible external set
Cromo Chrome	BT UNI C IN06	104,00	BT VIK C IN01

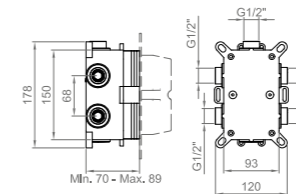
VIKTOR - termostatico | **VIKTOR - thermostatic**



Set esterno per incasso termostatico, 2/3 vie. Da completare con incasso.

External set for thermostatic concealed body 2/3 ways. To be completed with concealed body.

Finitura Finishing	Numero vie Number of ways	Codice Code	€	Incasso compatibile Compatible concealed body
Cromo Chrome	2	BT TRM C IN08	68,54	BT UNI C IN11
Cromo Chrome	3	BT TRM C IN10	68,83	BT UNI C IN11

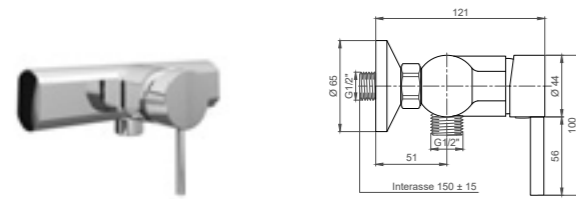


Box per ispezione + corpo incasso termostatico universale 2/3 vie

Box + concealed body for thermostatic mixer 2/3 ways

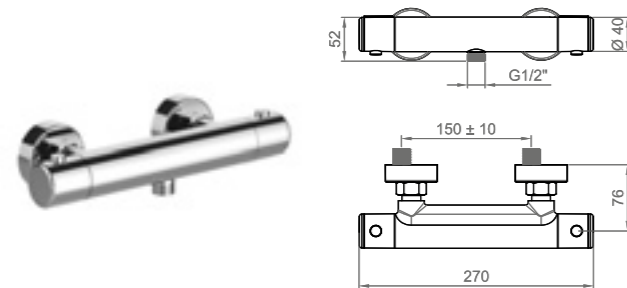
Finitura Finishing	Numero vie Number of ways	Codice Code	€	Set esterno compatibile Compatible external set
Cromo Chrome	2/3	BT UNI C IN11	287,62	BT TRM C IN08 / IN10

VIKTOR



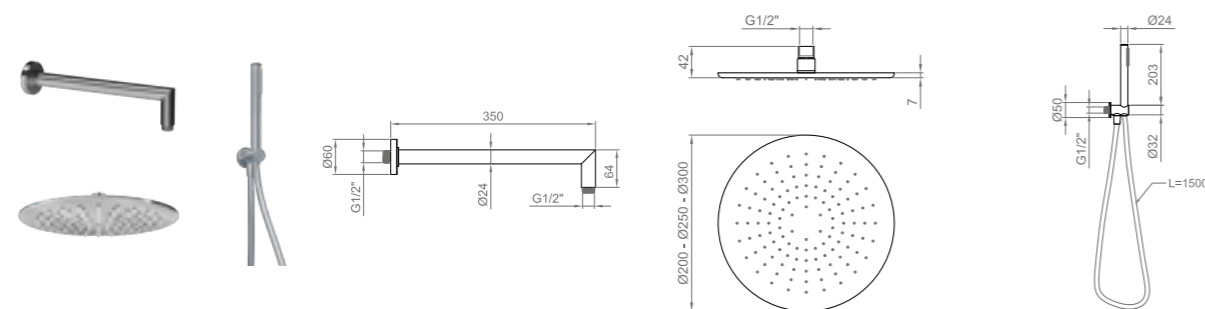
Miscelatore esterno doccia
Wall mounted shower mixer

Finitura Finishing	Codice Code	€
Cromo Chrome	BT VIK C D003	108,91



Miscelatore esterno doccia termostatico
Wall mounted thermostatic shower mixer

Finitura Finishing	Codice Code	€
Cromo Chrome	BT TRM C ES07	156,00

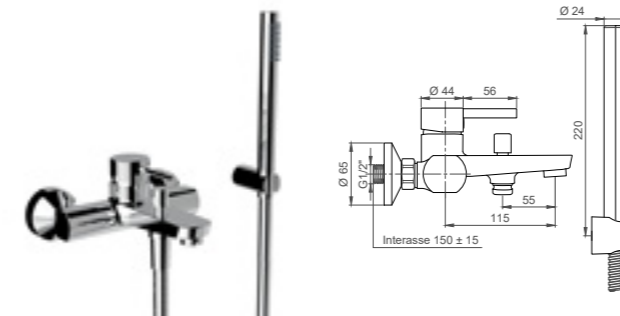


Soffione in acciaio inox e braccio doccia. Supporto doccia fisso con presa acqua integrata, flessibile in PVC antitorsione 1500 mm, doccetta.

Stainless steel shower head with shower arm. Wall outlet with hand shower holder, 1500 mm PVC anti-twist hose, hand shower.

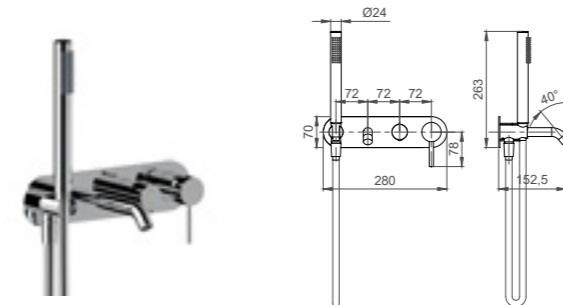
Dim. soffione mm Shower head size mm	Dim. braccio mm Shower arm's length mm	Finitura Finishing	Codice Code	€
Ø 200	L 350	Cromo Chrome	BN KIS C 0013	153,57
Ø 250	L 350	Cromo Chrome	BN KIS C 0014	171,11
Ø 300	L 350	Cromo Chrome	BN KIS C 0015	192,64

VIKTOR



Miscelatore esterno vasca. In dotazione flessibile a doppia aggraffatura, doccetta e supporto per doccetta.
Wall mounted bath mixer with double interlock flexible hose, hand shower and hand shower holder.

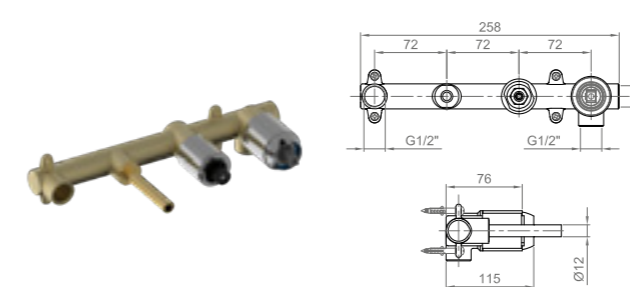
Finitura Finishing	Codice Code	€
Cromo Chrome	BT VIK C VA02	163,35



Set esterno per incasso vasca. Da completare con incasso.

External set for UNIVERSAL concealed body for bathtub mixer. To be completed with concealed body.

Finitura Finishing	Codice Code	€	Incasso compatibile Compatible concealed body
Cromo Chrome	BT VIK C VA07	230,77	BT UNI C IN10



Corpo incasso vasca UNIVERSALE
UNIVERSAL concealed body for bathtub mixer

Finitura Finishing	Codice Code	€	Set esterno compatibile Compatible external set
Cromo Chrome	BT UNI C IN10	133,80	BT VIK C VA07



VERSILIA

FINITURA | FINISHING



Cromo
Chromed

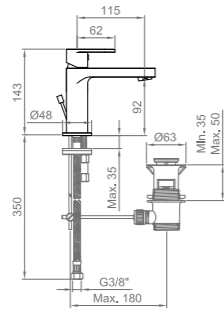


Nero Opaco
Black Matt



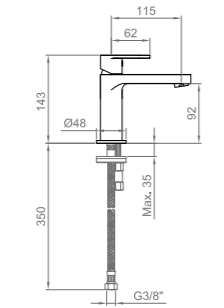
← TORNA ALL'INDICE
BACK TO INDEX

VERSILIA



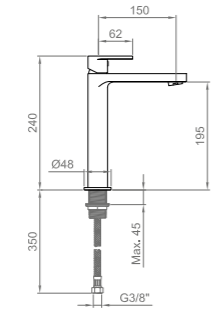
Miscelatore lavabo con piletta di scarico
Basin mixer with drain

Finitura Finishing	Codice Code	€
Cromo Chrome	BT VER C LA01	93,60
Nero Opaco Black Matt	BT VER K LA01	124,80



Miscelatore lavabo senza piletta di scarico
Basin mixer without drain

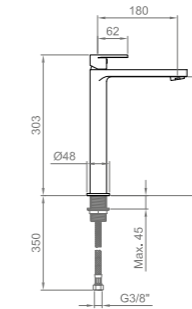
Finitura Finishing	Codice Code	€	Piletta Consigliata Recommended drain
Cromo Chrome	BT VER C LA02	93,60	BT SCA C VR66



Miscelatore lavabo medio senza piletta di scarico
Basin mixer with medium spout, no drain

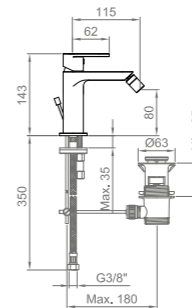
Finitura Finishing	Codice Code	€	Piletta Consigliata Recommended drain
Cromo Chrome	BT VER C LA08	185,12	BT SCA C VR66

VERSILIA



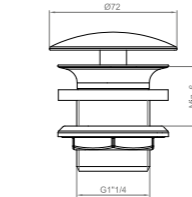
Miscelatore lavabo alto senza piletta di scarico
Basin mixer with high spout, no drain

Finitura Finishing	Codice Code	€	Piletta Consigliata Recommended drain
Cromo Chrome	BT VER C LA03	145,60	BT SCA C VR66
Nero Opaco Black Matt	BT VER K LA03	176,80	BT SCA K VR66



Miscelatore bidet con piletta di scarico,
aeratore orientabile
Bidet mixer with drain and swivelling aerator

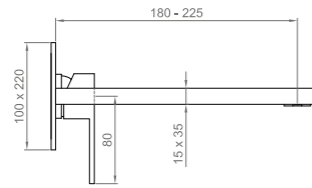
Finitura Finishing	Codice Code	€
Cromo Chrome	BT VER C BI01	93,60
Nero Opaco Black Matt	BT VER K BI01	124,80



Piletta tonda 1" 1/4 a scarico libero. Compatibile
con lavabi senza troppo pieno
1" 1/4 round waste with free flow. Compatible with basins
without overflow.

Finitura Finishing	Codice Code	€
Cromo Chrome	BT SCA C VR66	34,20
Nero Opaco Black Matt	BT SCA K VR66	54,08

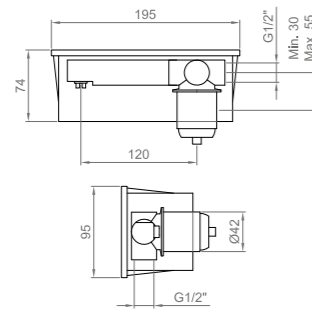
VERSILIA



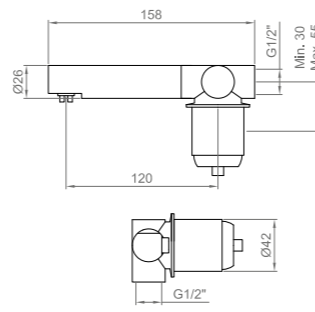
Set esterno con piastra unica rettangolare per miscelatore lavabo a parete. Da completare con incasso.

External set for wall-mounted basin mixer: single rectangular plate. To be completed with concealed body.

L bocca mm L spout mm	Finitura Finishing	Codice Code	€	Piletta Consigliata Recommended drain	Incasso compatibile Compatible concealed body
180	Cromo Chrome	BT VER C LA11	179,64	BT SCA C VR66	BT UNI C IN05 / IN14
180	Nero Opaco Black Matt	BT VER K LA13	202,80	BT SCA K VR66	BT UNI K IN05 / IN14
225	Cromo Chrome	BT VER C LA12	208,61	BT SCA C VR66	BT UNI C IN05 / IN14
225	Nero Opaco Black Matt	BT VER K LA14	234,00	BT SCA K VR66	BT UNI K IN05 / IN14



BT UNI C IN05 - BT UNI K IN05

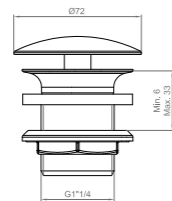


BT UNI C IN14 - BT UNI K IN14

Corpo incasso lavabo UNIVERSALE. Disponibile con o senza box per ispezione.

UNIVERSAL concealed body for body for basin mixer. Available with or without box for service.

Finitura Finishing	Box	Codice Code	€	Set esterno compatibile Compatible external set
Cromo Chrome	X	BT UNI C IN05	93,60	BT VER C LA11 / LA12
Nero Opaco Black Matt	X	BT UNI K IN05	109,20	BT VER K LA13 / LA14
Cromo Chrome		BT UNI C IN14	78,00	BT VER C LA11 / LA12
Nero Opaco Black Matt		BT UNI K IN14	93,60	BT VER K LA13 / LA14

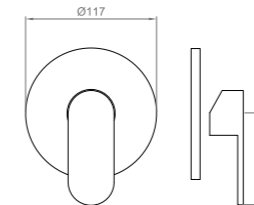


Piletta tonda 1" 1/4 a scarico libero. Compatibile con lavabi senza troppo pieno

1" 1/4 round waste with free flow. Compatible with basins without overflow.

Finitura Finishing	Codice Code	€
Cromo Chrome	BT SCA C VR66	34,20
Nero Opaco Black Matt	BT SCA K VR66	54,08

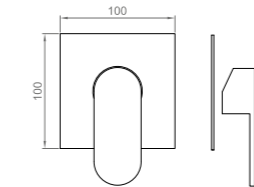
VERSILIA - 1 via | VERSILIA - 1 way



Set esterno per incasso doccia, 1 via: piastra tonda + leva. Da completare con incasso.

External set for concealed 1-way shower mixer: round plate + handle. To be completed with concealed body.

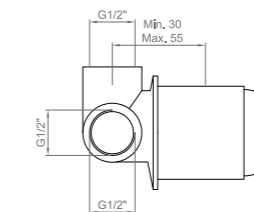
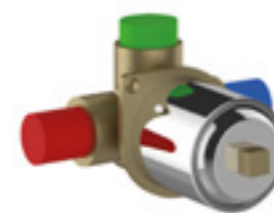
Finitura Finishing	Codice Code	€	Incasso compatibile Compatible concealed body
Cromo Chrome	BT VER C IN05	28,68	BT UNI C IN03
Nero Opaco Black Matt	BT VER K IN08	79,44	BT UNI K IN03



Set esterno per incasso doccia, 1 via: piastra quadra + leva. Da completare con incasso.

External set for concealed 1-way shower mixer: square plate + handle. To be completed with concealed body.

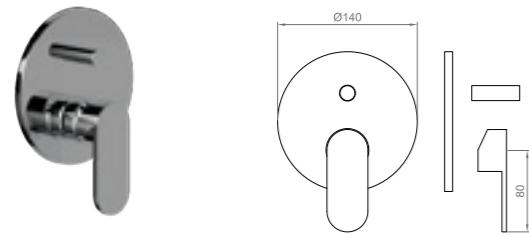
Finitura Finishing	Codice Code	€	Incasso compatibile Compatible concealed body
Cromo Chrome	BT VER C IN02	41,49	BT UNI C IN03



Corpo incasso doccia UNIVERSALE, 1 via
UNIVERSAL concealed body for 1-way shower mixer

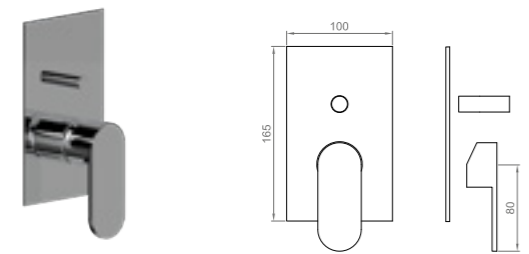
Finitura Finishing	Codice Code	€	Set esterno compatibile Compatible external set
Cromo Chrome	BT UNI C IN03	36,40	BT VER C IN05 / IN02
Nero Opaco Black Matt	BT UNI K IN03	62,40	BT VER K IN08

VERSILIA - 2 vie | VERSILIA - 2 ways



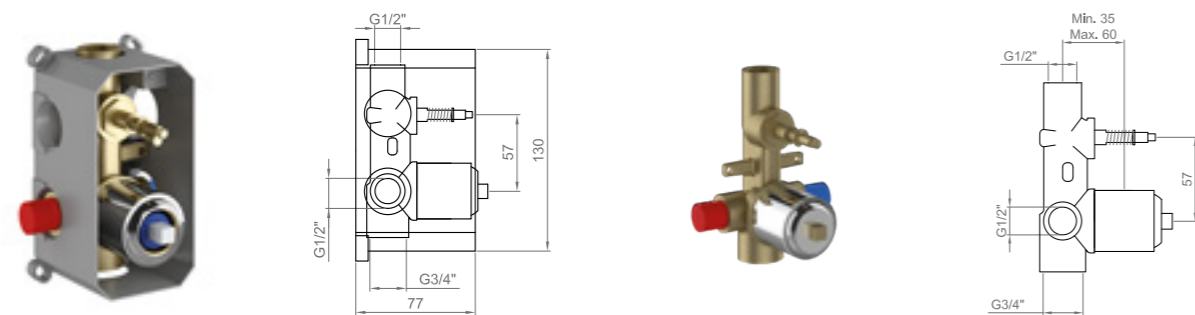
Set esterno per incasso doccia, 2 vie. Da completare con incasso.
External set for UNIVERSAL concealed body for 2-way shower mixer. To be completed with concealed body.

Finitura Finishing	Codice Code	€	Incasso compatibile Compatible concealed body
Cromo Chrome	BT VER C IN06	39,32	BT UNI C IN04
Nero Opaco Black Matt	BT VER K IN09	62,40	BT UNI K IN04



Set esterno per incasso doccia, 2 vie. Da completare con incasso.
External set for UNIVERSAL concealed body for 2-way shower mixer. To be completed with concealed body.

Finitura Finishing	Codice Code	€	Incasso compatibile Compatible concealed body
Cromo Chrome	BT VER C IN04	58,02	BT UNI C IN04 / IN07



BT UNI C IN07

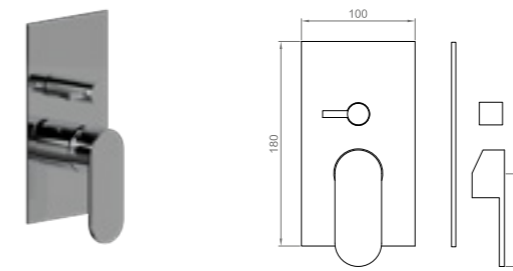
BT UNI C IN04 - BT UNI K IN04

Corpo incasso doccia UNIVERSALE, 2 vie. Disponibile con o senza box per ispezione.

UNIVERSAL concealed body for 2-way shower mixer. Available with or without box for service.

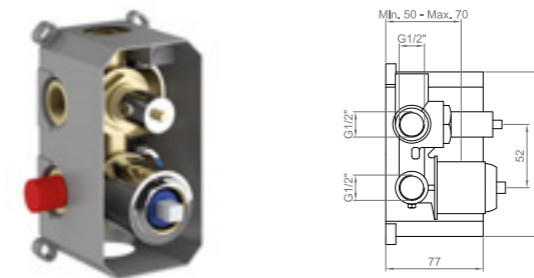
Finitura Finishing	Box	Codice Code	€	Set esterno compatibile Compatible external set
Cromo Chrome	X	BT UNI C IN07	72,80	BT VER C IN04
Cromo Chrome		BT UNI C IN04	62,40	BT VER C IN06 / IN04
Nero Opaco Black Matt		BT UNI K IN04	83,20	BT VER K IN09

VERSILIA - 3 vie | VERSILIA - 3 ways



Set esterno per incasso doccia, 3 vie: piastra quadra + leva + manopola deviatore. Da completare con incasso.
External set for UNIVERSAL concealed body for 3-way shower mixer: square plate + handle + water diverter. To be completed with concealed body.

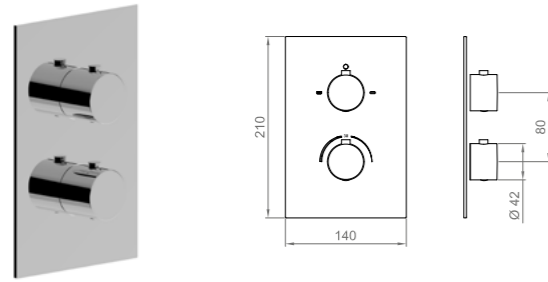
Finitura Finishing	Codice Code	€	Incasso compatibile Compatible concealed body
Cromo Chrome	BT VER C IN07	85,12	BT UNI C IN06



Box per ispezione + corpo incasso doccia UNIVERSALE, 3 vie
Box + UNIVERSAL concealed body for 3-way shower mixer

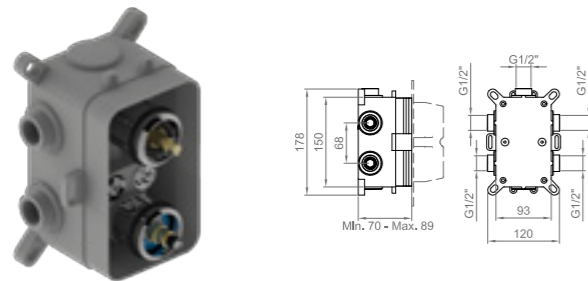
Finitura Finishing	Codice Code	€	Set esterno compatibile Compatible external set
Cromo Chrome	BT UNI C IN06	104,00	BT VER C IN07

VERSILIA - termostatico | VERSILIA - thermostatic



Set esterno per incasso termostatico, 2/3 vie.
Da completare con incasso.
External set for thermostatic concealed body 2/3 ways round. To be completed with concealed body.

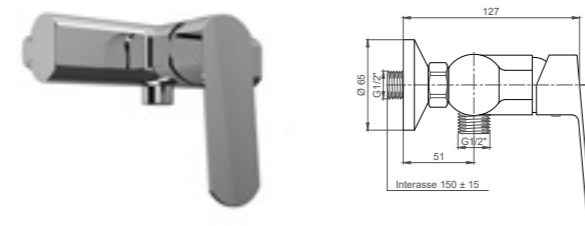
Finitura Finishing	Numero vie Number of ways	Codice Code	€	Incasso compatibile Compatible concealed body
Cromo Chrome	2	BT TRM C IN08	68,54	BT UNI C IN11
Nero Opaco Black Matt	2	BT TRM K IN08	81,53	BT UNI K IN11
Cromo Chrome	3	BT TRM C IN10	68,83	BT UNI C IN11
Nero Opaco Black Matt	3	BT TRM K IN10	81,53	BT UNI K IN11



Box per ispezione + corpo incasso termostatico universale 2/3 vie
Box + concealed body for thermostatic mixer 2/3 ways - chromed Finishing

Finitura Finishing	Numero vie Number of ways	Codice Code	€	Set esterno compatibile Compatible external set
Cromo Chrome	2/3	BT UNI C IN11	287,62	BT TRM C IN08 / IN10
Nero Opaco Black Matt	2/3	BT UNI K IN11	297,62	BT TRM K IN08 / IN10

VERSILIA



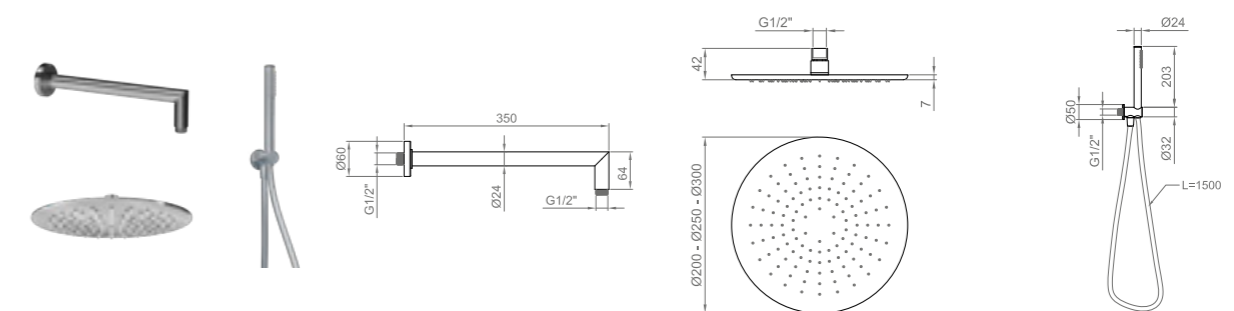
Miscelatore esterno doccia
Wall mounted shower mixer

Finitura Finishing	Codice Code	€
Cromo Chrome	BT VER C D004	118,86



Miscelatore esterno doccia termostatico
Wall mounted thermostatic shower mixer

Finitura Finishing	Codice Code	€
Cromo Chrome	BT TRM C ES07	156,00

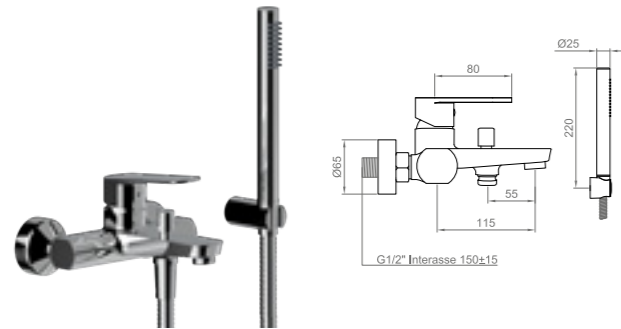


Soffione in acciaio inox e braccio doccia. Supporto doccia fisso con presa acqua integrata, flessibile in PVC antitorsione 1500 mm, doccetta.

Stainless steel shower head with shower arm. Wall outlet with hand shower holder, 1500 mm PVC anti-twist hose, hand shower.

Dim. soffione mm Shower head size mm	Dim. braccio mm Shower arm's length mm	Finitura Finishing	Codice Code	€
Ø 200	L 350	Cromo Chrome	BN KIS C 0013	153,57
Ø 250	L 350	Cromo Chrome	BN KIS C 0014	171,11
Ø 250	L 350	Nero Opaco Black Matt	BN KIS K 0014	217,25
Ø 300	L 350	Cromo Chrome	BN KIS C 0015	192,64

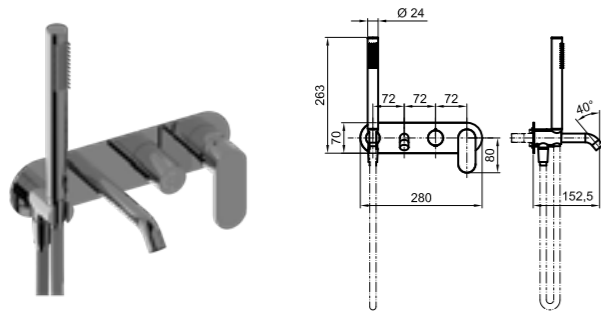
VERSILIA



Miscelatore esterno vasca. In dotazione flessibile a doppia aggraffatura, doccia e supporto per doccia.

Wall mounted bath mixer with double interlock flexible hose, hand shower and hand shower holder.

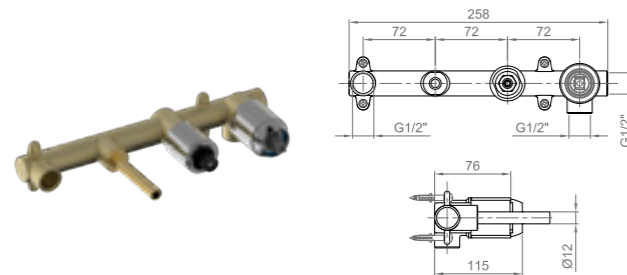
Finitura Finishing	Codice Code	€
Cromo Chrome	BT VER C VA02	167,09



Set esterno per incasso vasca. Da completare con incasso.

External set for UNIVERSAL concealed body for bathtub mixer.

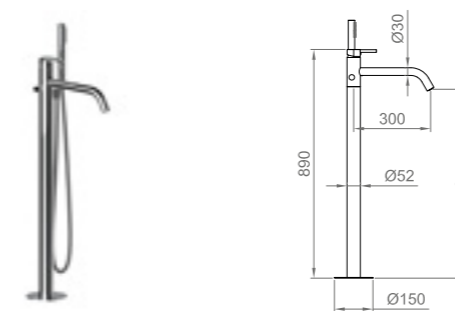
Finitura Finishing	Codice Code	€	Incasso compatibile Compatible concealed body
Cromo Chrome	BT VER C VA08	258,76	BT UNI C IN10
Nero Opaco Black Matt	BT VER K VA08	319,81	BT UNI K IN10



Corpo incasso vasca UNIVERSALE
UNIVERSAL concealed body for bathtub mixer

Finitura Finishing	Codice Code	€	Set esterno compatibile Compatible external set
Cromo Chrome	BT UNI C IN10	133,80	BT VER C VA08
Nero Opaco Black Matt	BT UNI K IN10	145,48	BT VER K VA08

VERSILIA

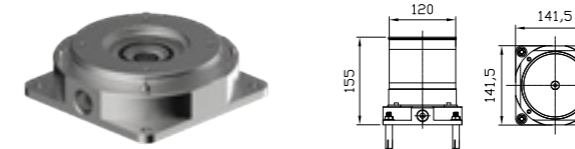


Miscelatore da terra per vasca. In dotazione flessibile antitorsione in PVC 1500 mm e doccia.

Da completare con incasso.

Standing bath mixer with 1500 mm anti-twist PVC hose and handshower. To be completed with concealed body.

Finitura Finishing	Codice Code	€	Incasso compatibile Compatible concealed body
Cromo Chrome	BT VER C VA07	888,48	BT UNI X IN12
Nero Opaco Black Matt	BT VER K VA07	1112,02	BT UNI X IN12



Corpo incasso per colonna da terra per vasca
Concealed body for standing bath mixer

Codice Code	€	Set esterno compatibile Compatible external set
BT UNI X IN12	265,20	BT VER C/K VA07



ITALIA R

FINITURA | FINISHING



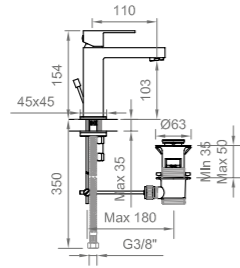
Cromo
Chromed



Nero Opaco
Black Matt

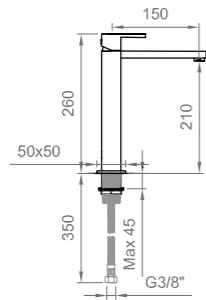


ITALIA R



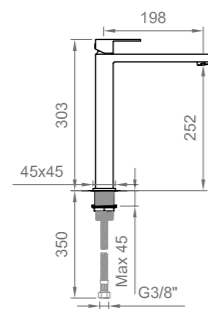
Miscelatore lavabo con piletta di scarico
Basin mixer with drain

Finitura Finishing	Codice Code	€
Cromo Chrome	BT ITR C LAF1	104,00
Nero Opaco Black Matt	BT ITR K LAF1	124,80



Miscelatore lavabo medio senza piletta di scarico
Basin mixer with medium spout, no drain

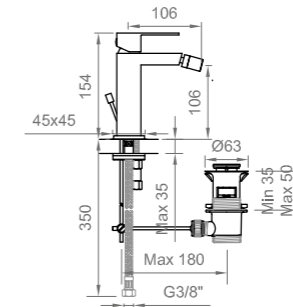
Finitura Finishing	Codice Code	€	Piletta Consigliata Recommended drain
Cromo Chrome	BT ITR C LA16	200,76	BT SCA C VR66



Miscelatore lavabo alto senza piletta di scarico
Basin mixer with high spout, no drain

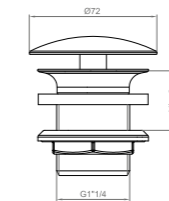
Finitura Finishing	Codice Code	€	Piletta Consigliata Recommended drain
Cromo Chrome	BT ITR C LAF5	166,40	BT SCA C VR66
Nero Opaco Black Matt	BT ITR K LAF5	187,20	BT SCA K VR66

ITALIA R



Miscelatore bidet con piletta di scarico,
aeratore orientabile
Bidet mixer with drain and swivelling aerator

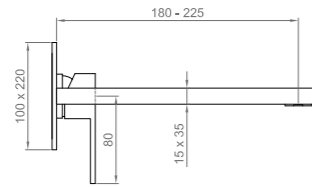
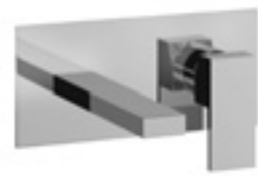
Finitura Finishing	Codice Code	€
Cromo Chrome	BT ITR C BIF1	104,00
Nero Opaco Black Matt	BT ITR K BIF1	124,80



Piletta tonda 1" 1/4 a scarico libero. Compatibile
con lavabi senza troppo pieno
1" 1/4 round waste with free flow. Compatible with basins
without overflow.

Finitura Finishing	Codice Code	€
Cromo Chrome	BT SCA C VR66	34,20
Nero Opaco Black Matt	BT SCA K VR66	54,08

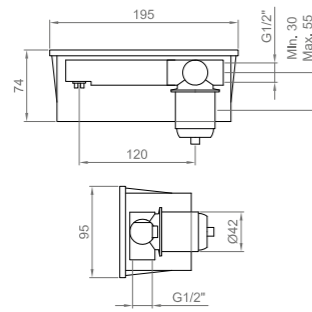
ITALIA R



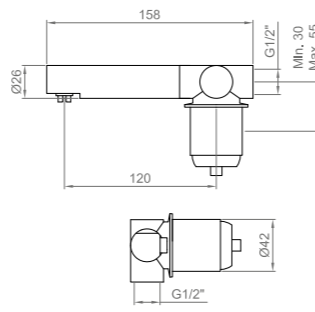
Set esterno per miscelatore lavabo a parete: piastra unica rettangolare + bocca + leva. Da completare con incasso.

External set for wall-mounted basin mixer: single rectangular plate + spout + handle.

L bocca mm L spout mm	Finitura Finishing	Codice Code	€	Piletta Consigliata Recommended drain	Incasso compatibile Compatible concealed body
180	Cromo Chrome	BT ITR C LA19	156,00	BT SCA C VR66	BT UNI C IN05 / IN14
180	Nero Opaco Black Matt	BT ITR K LA21	218,40	BT SCA K VR66	BT UNI K IN05 / IN14
225	Cromo Chrome	BT ITR C LA20	166,40	BT SCA C VR66	BT UNI C IN05 / IN14
225	Nero Opaco Black Matt	BT ITR K LA22	228,80	BT SCA K VR66	BT UNI K IN05 / IN14



BT UNI C IN05 - BT UNI K IN05

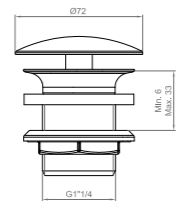


BT UNI C IN14 - BT UNI K IN14

Corpo incasso lavabo UNIVERSALE. Disponibile con o senza box per ispezione.

UNIVERSAL concealed body for body for basin mixer. Available with or without box for service.

Finitura Finishing	Box	Codice Code	€	Set esterno compatibile Compatible external set
Cromo Chrome	X	BT UNI C IN05	93,60	BT ITR C LA19 / LA20
Nero Opaco Black Matt	X	BT UNI K IN05	109,20	BT ITR K LA21 / LA22
Cromo Chrome		BT UNI C IN14	78,00	BT ITR C LA19 / LA20
Nero Opaco Black Matt		BT UNI K IN14	93,60	BT ITR K LA21 / LA22

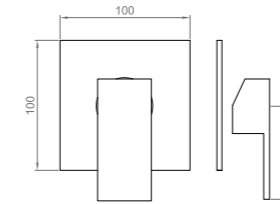


Piletta tonda 1" 1/4 a scarico libero. Compatibile con lavabi senza troppo pieno

1" 1/4 round waste with free flow. Compatible with basins without overflow.

Finitura Finishing	Codice Code	€
Cromo Chrome	BT SCA C VR66	34,20
Nero Opaco Black Matt	BT SCA K VR66	54,08

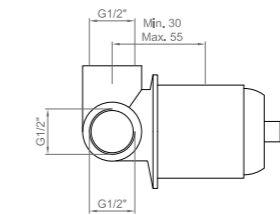
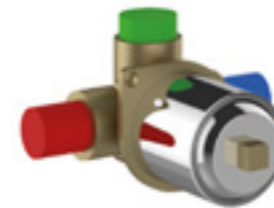
ITALIA R - 1 via | ITALIA R - 1 way



Set esterno per incasso doccia UNIVERSALE, 1 via: piastra + leva. Da completare con incasso.

External set for UNIVERSAL concealed body for 1-way shower mixer: plate + handle. To be completed with concealed body.

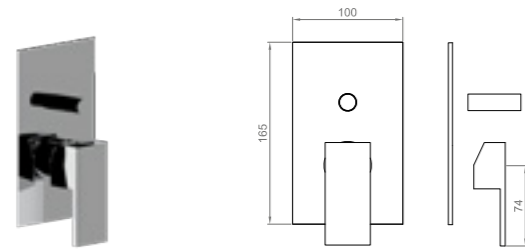
Finitura Finishing	Codice Code	€	Incasso compatibile Compatible concealed body
Cromo Chrome	BT ITR C IN02	28,68	BT UNI C IN03
Nero Opaco Black Matt	BT ITR K IN08	79,44	BT UNI K IN03



Corpo incasso doccia UNIVERSALE, 1 via
UNIVERSAL concealed body for 1-way shower mixer

Finitura Finishing	Codice Code	€	Set esterno compatibile Compatible external set
Cromo Chrome	BT UNI C IN03	36,40	BT ITR C IN02
Nero Opaco Black Matt	BT UNI K IN03	62,40	BT ITR K IN08

ITALIA R - 2 vie | ITALIA R - 2 ways

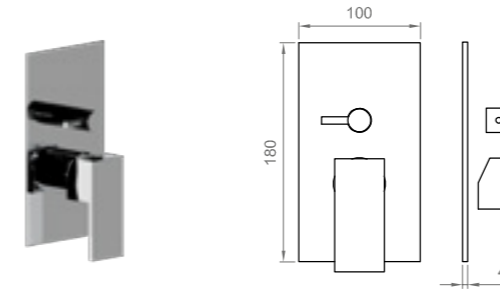


Set esterno per incasso doccia UNIVERSALE, 2 vie: piastra + leva + manopola deviatore. Da completare con incasso.

External set for UNIVERSAL concealed body for 2-way shower mixer: plate + handle + water diverter. To be completed with concealed body.

Finitura Finishing	Codice Code	€	Incasso compatibile Compatible concealed body
Cromo Chrome	BT ITR C IN04	58,42	BT UNI C IN04/07
Nero Opaco Black Matt	BT ITR K IN07	124,80	BT UNI K IN04

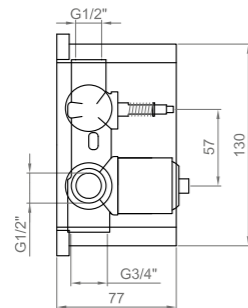
ITALIA R - 3 vie | ITALIA R - 3 ways



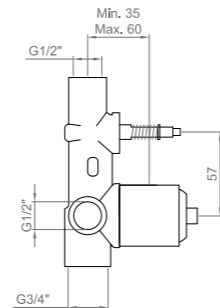
Set esterno per incasso doccia UNIVERSALE, 3 vie: piastra quadra + leva + manopola deviatore. Da completare con incasso.

External set for UNIVERSAL concealed body for 3-way shower mixer: square plate + handle + water diverter. To be completed with concealed body.

Finitura Finishing	Codice Code	€	Incasso compatibile Compatible concealed body
Cromo Chrome	BT ITR C IN05	85,33	BT UNI C IN06



BT UNI C IN07

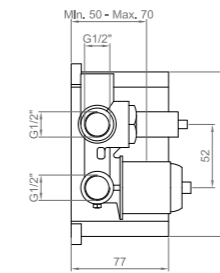


BT UNI C IN04 - BT UNI K IN04

Corpo incasso doccia UNIVERSALE, 2 vie. Disponibile con o senza box per ispezione.

UNIVERSAL concealed body for 2-way shower mixer. Available with or without box for service.

Finitura Finishing	Box	Codice Code	€	Set esterno compatibile Compatible external set
Cromo Chrome	x	BT UNI C IN07	72,80	BT ITR C IN04
Cromo Chrome		BT UNI C IN04	62,40	BT ITR C IN04
Nero Opaco Black Matt		BT UNI K IN04	83,20	BT ITR K IN07

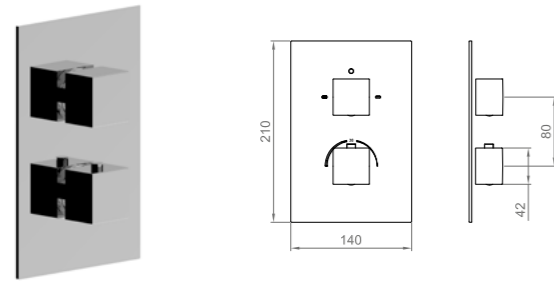


Box per ispezione + corpo incasso doccia UNIVERSALE, 3 vie

Box + UNIVERSAL concealed body for 3-way shower mixer

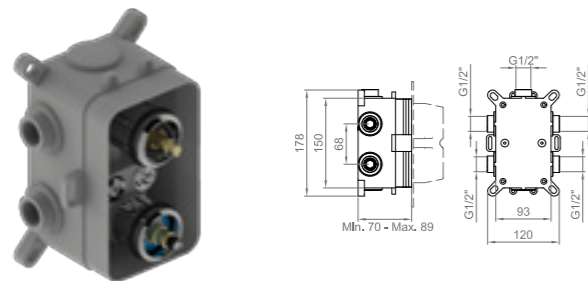
Finitura Finishing	Codice Code	€	Set esterno compatibile Compatible external set
Cromo Chrome	BT UNI C IN06	104,00	BT ITR C IN05

ITALIA R - termostatico | ITALIA R - thermostatic



Set esterno per incasso termostatico universale, 2 vie. Da completare con incasso.
External set for thermostatic concealed body 2 ways. To be completed with concealed body.

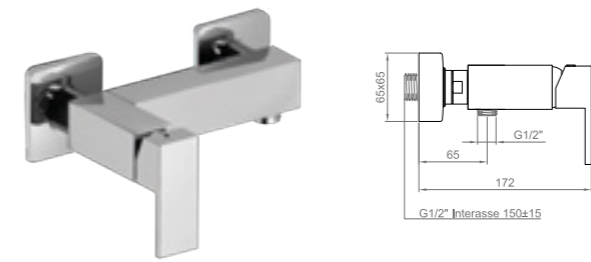
Finitura Finishing	Numero vie Number of ways	Codice Code	€	Incasso compatibile Compatible concealed body
Cromo Chrome	2	BT TRM C IN09	81,32	BT UNI C IN11
Nero Opaco Black Matt	2	BT TRM K IN09	97,31	BT UNI K IN11
Cromo Chrome	3	BT TRM C IN11	81,32	BT UNI C IN11
Nero Opaco Black Matt	3	BT TRM K IN11	97,31	BT UNI K IN11



Box per ispezione + corpo incasso termostatico universale 2/3 vie
Box + concealed body for thermostatic mixer 2/3 ways

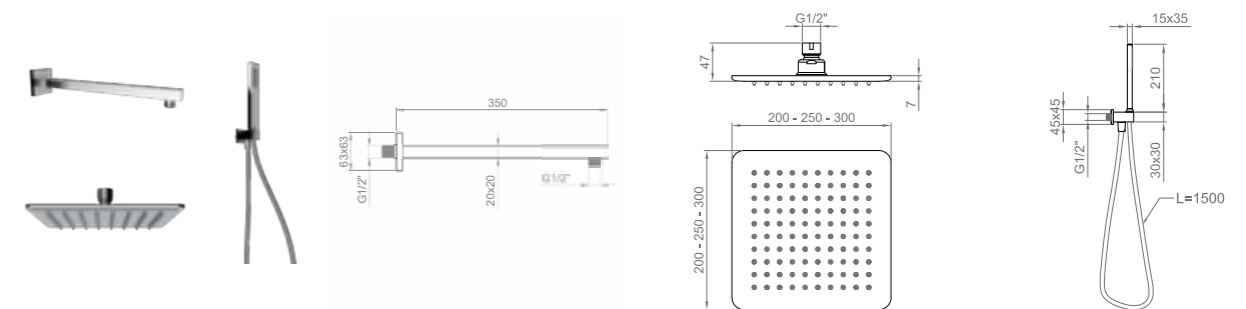
Finitura Finishing	Numero vie Number of ways	Codice Code	€	Set esterno compatibile Compatible external set
Cromo Chrome	2/3	BT UNI C IN11	287,62	BT TRM C IN09 / IN11
Nero Opaco Black Matt	2/3	BT UNI K IN11	297,62	BT TRM K IN09 / IN11

ITALIA R



Miscelatore esterno doccia con attacco da 1/2"
Wall mounted shower mixer with 1/2" connection

Finitura Finishing	Codice Code	€
Cromo Chrome	BT ITR C DO11	373,02

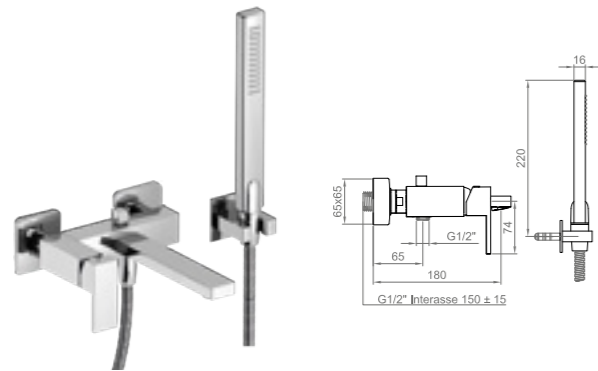


Soffione in acciaio inox e braccio doccia. Supporto doccia fisso con presa acqua integrata, flessibile in PVC antitorsione 1500 mm, doccetta.

Stainless steel shower head with shower arm. Wall outlet with hand shower holder, 1500 mm PVC anti-twist hose, hand shower.

Dim. soffione mm Shower head size mm	Dim. braccio mm Shower arm's length mm	Finitura Finishing	Codice Code	€
200x200	L 350	Cromo Chrome	BN KIS C 0010	180,93
250x250	L 350	Cromo Chrome	BN KIS C 0011	201,90
250x250	L 350	Nero Opaco Black Matt	BN KIS K 0011	253,14
300x300	L 350	Cromo Chrome	BN KIS C 0012	222,70

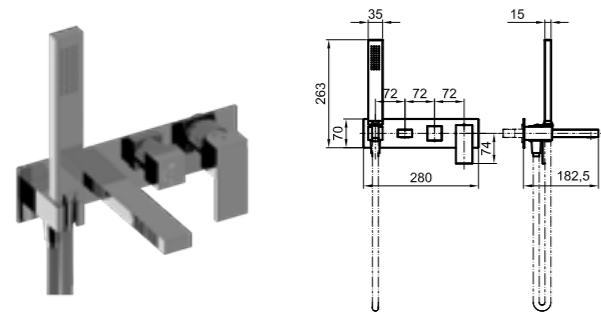
ITALIA R



Miscelatore esterno vasca. In dotazione flessibile a doppia aggraffatura, doccetta e supporto per doccetta.

Wall mounted bath mixer with double interlock flexible hose, hand shower and hand shower holder.

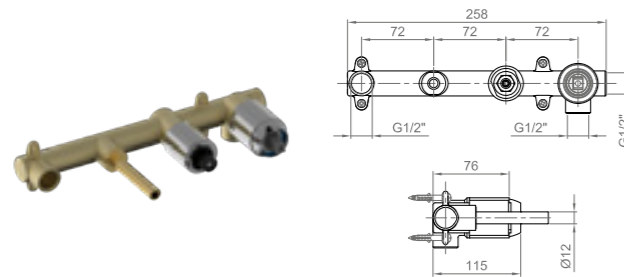
Finitura Finishing	Codice Code	€
Cromo Chrome	BT ITR C VA02	587,68



Set esterno per incasso vasca. Da completare con incasso

External set for UNIVERSAL concealed body for bathtub mixer. To be completed with concealed body.

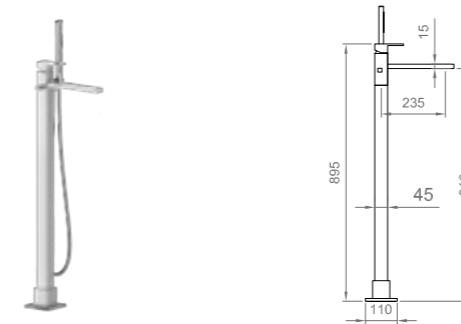
Finitura Finishing	Codice Code	€	Incasso compatibile Compatible concealed body
Cromo Chrome	BT ITR C VA08	301,71	BT UNI C IN10
Nero Opaco Black Matt	BT ITR K VA08	379,95	BT UNI K IN10



Corpo incasso vasca UNIVERSALE
UNIVERSAL concealed body for bathtub mixer

Finitura Finishing	Codice Code	€	Set esterno compatibile Compatible external set
Cromo Chrome	BT UNI C IN10	133,80	BT ITR C VA08
Nero Opaco Black Matt	BT UNI K IN10	145,48	BT ITR K VA08

ITALIA R

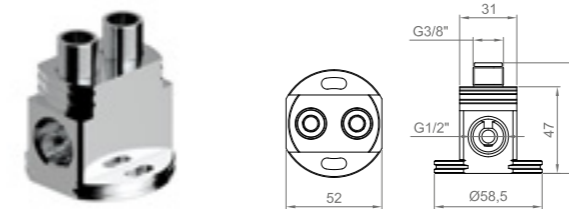


Miscelatore da terra per vasca. In dotazione flessibile antitorsione in PVC 1500 mm e doccetta.

Da completare con incasso.

Standing bath mixer with 1500 mm anti-twist PVC hose and handshower. To be completed with concealed body.

Finitura Finishing	Codice Code	€	Incasso compatibile Compatible concealed body
Cromo Chrome	BT ITR C VA05	1681,10	BT UNI C IN 13
Nero Opaco Black Matt	BT ITR K VA05	1758,24	BT UNI C IN 13



Corpo incasso per colonna da terra per vasca
Concealed body for standing bath mixer

Codice Code	€	Set esterno compatibile Compatible external set
BT UNI C IN13	123,60	BT ITR C/K VA05



ECOSTYLE

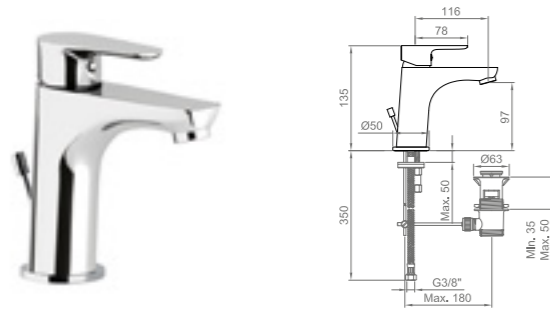
FINITURA | FINISHING



Cromo
Chromed

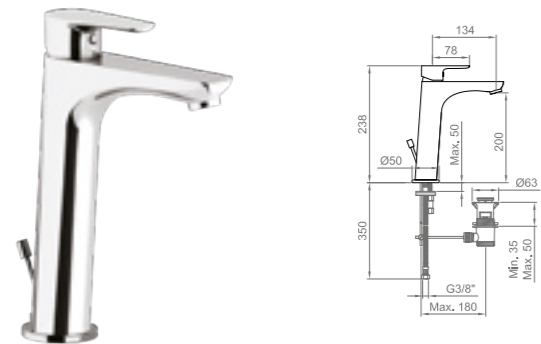


ECOSTYLE



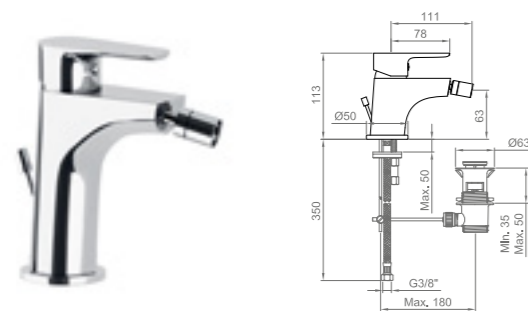
Miscelatore lavabo con piletta di scarico
Basin mixer with drain

Finitura Finishing	Codice Code	€
Cromo Chrome	BT EST C LA01	70,20



Miscelatore lavabo medio con piletta di scarico
Chrome-plated basin mixer with medium spout, with drain

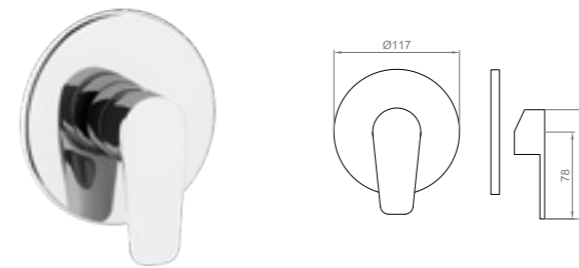
Finitura Finishing	Codice Code	€
Cromo Chrome	BT EST C LA02	161,63



Miscelatore bidet con piletta di scarico,
aeratore orientabile
Bidet mixer with drain and swivelling aerator

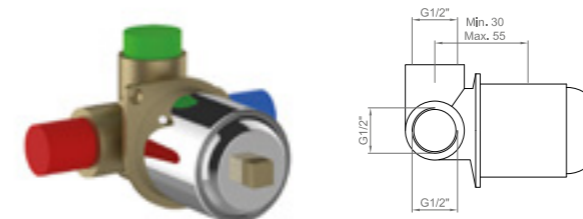
Finitura Finishing	Codice Code	€
Cromo Chrome	BT EST C BI01	70,20

ECOSTYLE - 1 via | ECOSTYLE - 1 way



Set esterno per incasso doccia, 1 via: piastra +
leva. Da completare con incasso.
External set for concealed 1-way shower mixer: plate +
handle. To be completed with concealed body.

Finitura Finishing	Codice Code	€	Incasso compatibile Compatible concealed body
Cromo Chrome	BT EST C IN01	22,79	BT UNI C IN03



Corpo incasso doccia UNIVERSALE, 1 via
UNIVERSAL concealed body for 1-way shower mixer

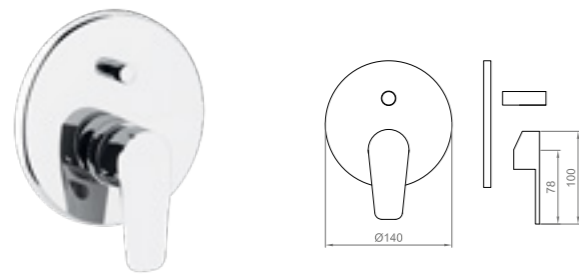
Finitura Finishing	Codice Code	€	Set esterno compatibile Compatible external set
Cromo Chrome	BT UNI C IN03	36,40	BT EST C IN01



Miscelatore incasso doccia, 1 via. Incasso
incluso.
Concealed 1-way shower mixer. Concealed included.

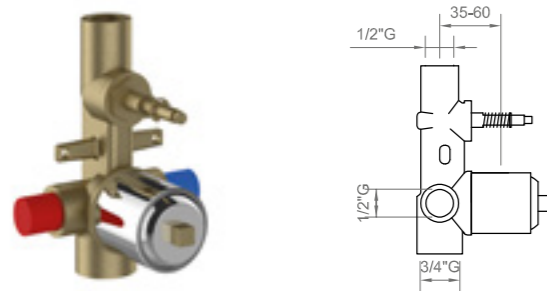
Finitura Finishing	Codice Code	€
Cromo Chrome	BT EST C D001	60,04

ECOSTYLE - 2 vie | ECOSTYLE - 2 ways



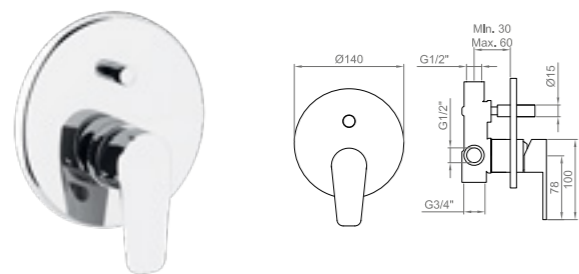
Set esterno per incasso doccia, 2 vie: piastra + leva + manopola deviatore. Da completare con incasso.
 External set for concealed 2-way shower: plate + handle + water diverter. To be completed with concealed body.

Finitura Finishing	Codice Code	€	Incasso compatibile Compatible concealed body
Cromo Chrome	BT EST C IN03	34,47	BT UNI C IN04



Corpo incasso doccia UNIVERSALE, 2 vie
 UNIVERSAL concealed body for 2-way shower mixer

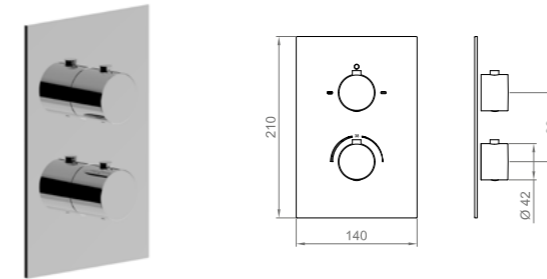
Finitura Finishing	Codice Code	€	Set esterno compatibile Compatible external set
Cromo Chrome	BT UNI C IN04	62,40	BT EST C IN03



Miscelatore incasso doccia, 2 vie. Incasso incluso.
 Concealed 2-way shower mixer. Concealed included.

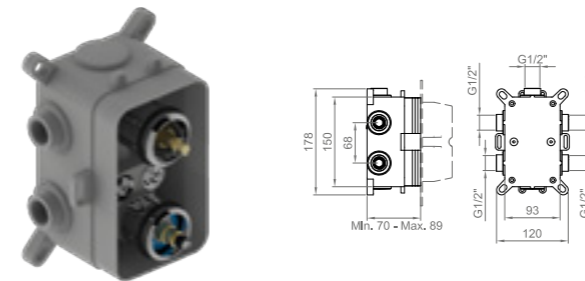
Finitura Finishing	Codice Code	€
Cromo Chrome	BT EST C D002	107,14

ECOSTYLE - termostatico | ECOSTYLE - thermostatic



Set esterno per incasso termostatico, 2/3 vie.
 Da completare con incasso.
 External set for thermostatic concealed body 2/3 ways. To be completed with concealed body.

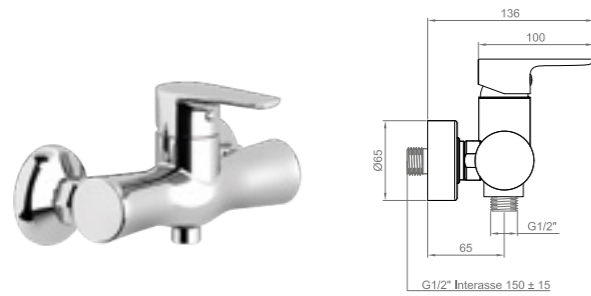
Finitura Finishing	Numero vie Number of ways	Codice Code	€	Incasso compatibile Compatible concealed body
Cromo Chrome	2	BT TRM C IN08	68,54	BT UNI C IN11
Cromo Chrome	3	BT TRM C IN10	68,83	BT UNI C IN11



Box per ispezione + corpo incasso termostatico universale 2/3 vie
 Box + concealed body for thermostatic mixer 2/3 ways - chromed Finishing

Finitura Finishing	Numero vie Number of ways	Codice Code	€	Set esterno compatibile Compatible external set
Cromo Chrome	2/3	BT UNI C IN11	287,62	BT TRM C IN08 / IN10

ECOSTYLE



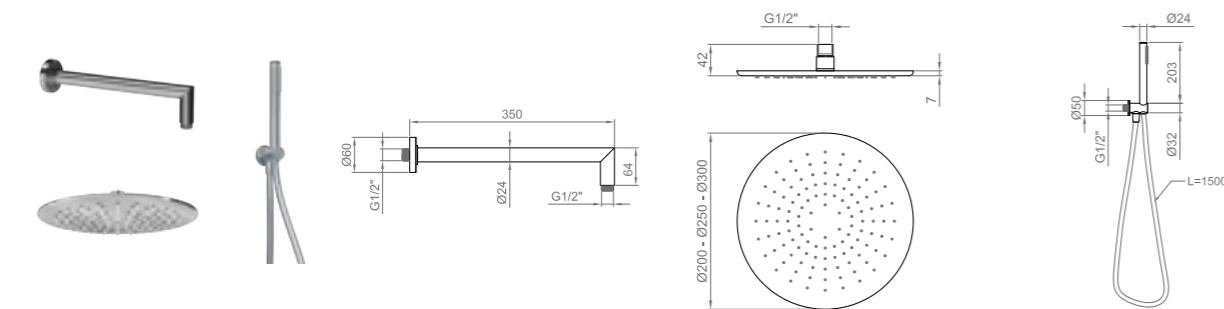
Miscelatore esterno doccia
Wall mounted shower mixer

Finitura Finishing	Codice Code	€
Cromo Chrome	BT EST C D003	70,20



Miscelatore esterno doccia termostatico
Wall mounted thermostatic shower mixer, safety button

Finitura Finishing	Codice Code	€
Cromo Chrome	BT TRM C ES07	156,00

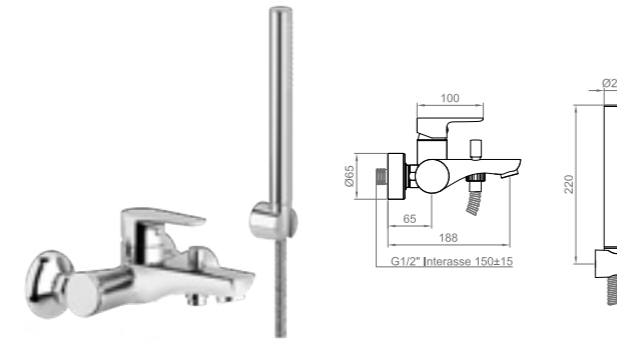


Soffione in acciaio inox e braccio doccia. Supporto doccia fisso con presa acqua integrata, flessibile in PVC antitorsione 1500 mm, doccia.

Stainless steel shower head with shower arm. Wall outlet with hand shower holder, 1500 mm PVC anti-twist hose, hand shower.

Dim. soffione mm Shower head size mm	Dim. braccio mm Shower arm's length mm	Finitura Finishing	Codice Code	€
Ø 200	L 350	Cromo Chrome	BN KIS C 0013	153,57
Ø 250	L 350	Cromo Chrome	BN KIS C 0014	171,11
Ø 300	L 350	Cromo Chrome	BN KIS C 0015	192,64

ECOSTYLE



Miscelatore esterno vasca. In dotazione flessibile a doppia aggraffatura, doccia e supporto per doccia.

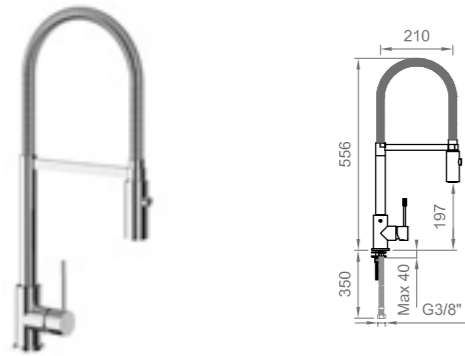
Wall mounted bath mixer with double interlock flexible hose, hand shower and hand shower holder.

Finitura Finishing	Codice Code	€
Cromo Chrome	BT EST C VA02	151,31



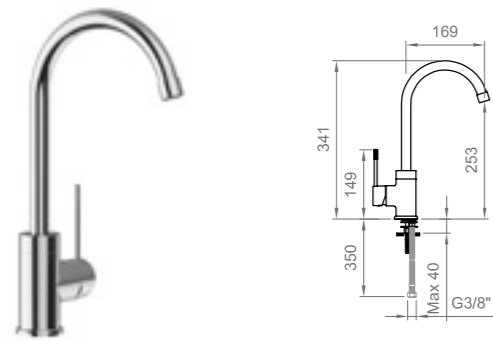
CUCINA **KITCHEN TAPS**

CUCINA | KITCHEN TAP



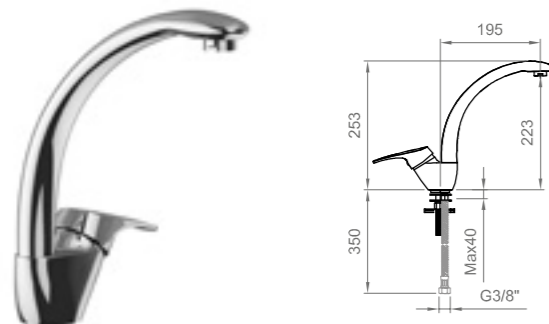
Miscelatoreavello orientabile con doccetta in ABS, 2 getti - Cartuccia Ø 35 mm
 ABS swivel spout sink mixer with 2-jet spray
 Cartridge Ø 35 mm

Finitura Finishing	Codice Code	€
Cromo Chrome	BT KIM C LA08	212,16



Miscelatoreavello orientabile.
 Cartuccia Ø 40 mm
 Swivel spout sink mixer
 Cartridge Ø 40 mm

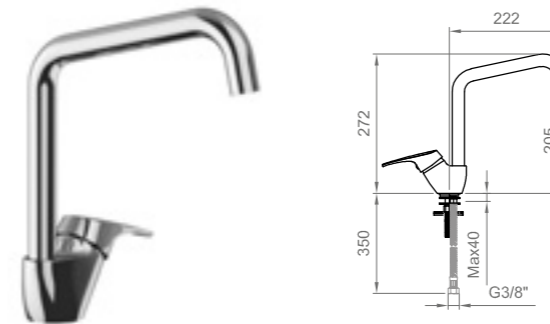
Finitura Finishing	Codice Code	€
Cromo Chrome	BT KIM C LA04	70,20



Miscelatoreavello orientabile.
 Cartuccia Ø 40 mm
 Swivel spout sink mixer
 Cartridge Ø 40 mm

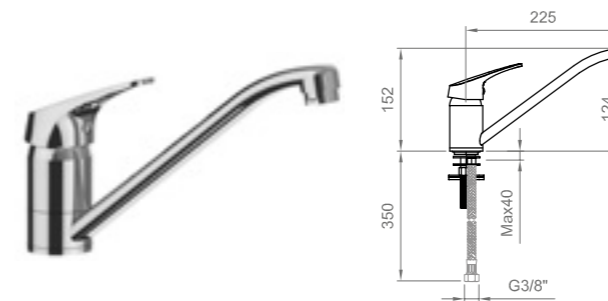
Finitura Finishing	Codice Code	€
Cromo Chrome	BT KIM C LA07	67,60

CUCINA | KITCHEN TAP



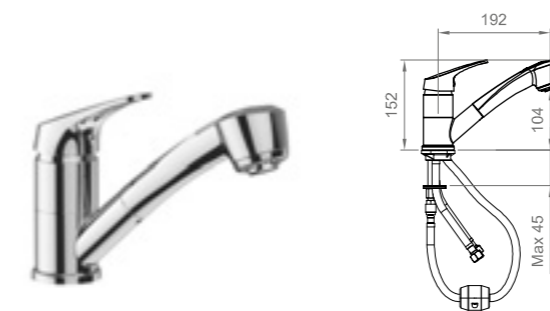
Miscelatoreavello orientabile
 Cartuccia Ø 40 mm
 Swivel spout sink mixer
 Cartridge Ø 40 mm

Finitura Finishing	Codice Code	€
Cromo Chrome	BT KIM C LA06	72,80



Miscelatoreavello monoforo con bocca orientabile
 Cartuccia Ø 40 mm
 Single-hole swivel spout sink mixer.
 Cartridge Ø 40 mm

Finitura Finishing	Codice Code	€
Cromo Chrome	BT KIM C LA05	67,60



Miscelatoreavello orientabile con bocca estraibile, 2 getti in ABS - Cartuccia Ø 40 mm
 Swivel spout sink mixer, with 2-jet ABS pull-out spray.
 Cartridge Ø 40 mm

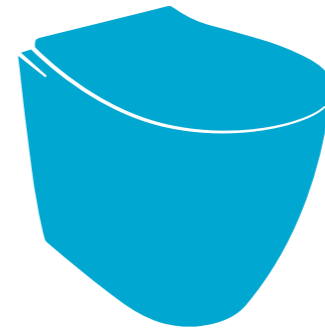
Finitura Finishing	Codice Code	€
Cromo Chrome	BT KIM C LA03	78,00

SANITARI, SEDILI, DOCCETTA
SANITARIA
WC AND BIDET, SEATS AND WC SHOWER KIT

KITE | 197

SURF | 203

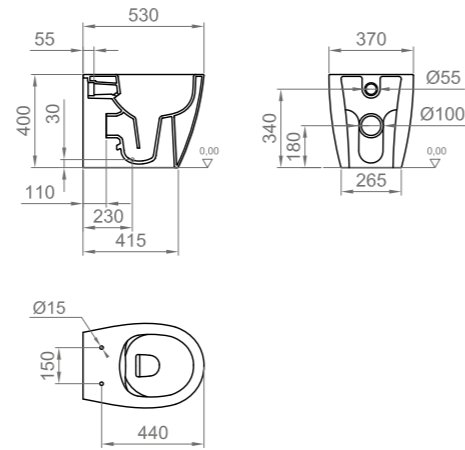
WAVE | 209



KITE



KITE

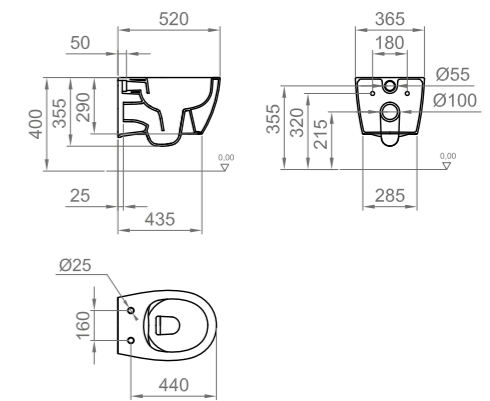


Vaso a terra in vetrochina, installazione filo parete. Rimless, risciacquo a partire da 4L.
Kit per il fissaggio incluso, sedile non incluso.

Vitreous china floor-mounted WC, back to wall, rimless, water flush up to 4 Ltr.
Fixing kit included, seat not included

Finitura Finishing	Codice Code	€	Sedile abbinato Compatible seat
Bianco Lucido Glossy White	BC KTE L VASO	239,48	BS KTE L 0003
Bianco Opaco White Matt	BC KTE O VASO	422,44	BS KTE O 0001
Nero Opaco Black Matt	BC KTE K VASO	458,72	BS KTE K 0001

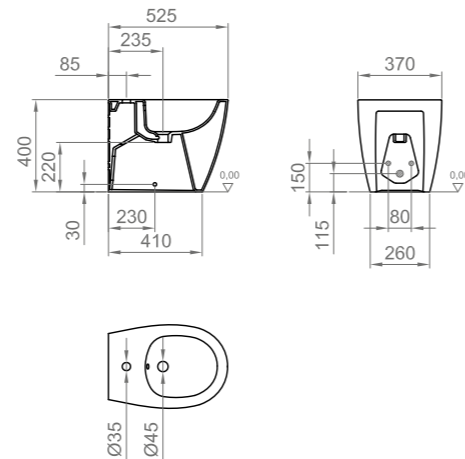
KITE



Vaso sospeso in vetrochina, installazione filo parete Rimless, risciacquo a partire da 4L.
Kit per il fissaggio incluso, sedile non incluso.

Vitreous china wall-mounted WC, back to wall, rimless, water flush up to 4 Ltr.
Fixing kit included, seat not included

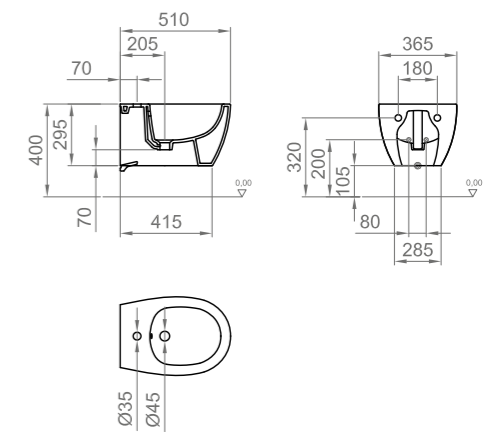
Finitura Finishing	Codice Code	€	Sedile abbinato Compatible seat
Bianco Lucido Glossy White	BC KTE L VASO 0001	239,48	BS KTE L 0003
Bianco Opaco White Matt	BC KTE O VASO 0001	422,44	BS KTE O 0001
Nero Opaco Black Matt	BC KTE K VASO 0001	458,72	BS KTE K 0001



Bidet a terra in vetrochina, installazione filo parete con troppo pieno, foro per rubinetteria.
Kit per il fissaggio incluso.

Vitreous china floor-mounted bidet, back to wall with overflow, mixer hole.
Fixing kit included.

Finitura Finishing	Codice Code	€
Bianco Lucido Glossy White	BC KTE L BIDE	239,48
Bianco Opaco White Matt	BC KTE O BIDE	422,44
Nero Opaco Black Matt	BC KTE K BIDE	458,72

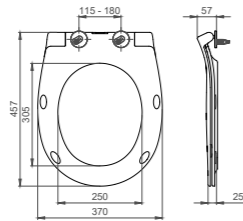


Bidet sospeso in vetrochina, installazione filo parete con troppo pieno, foro per rubinetteria.
Kit per il fissaggio incluso.

Vitreous china wall-mounted bidet, back to wall with overflow, mixer hole.
Fixing kit included.

Finitura Finishing	Codice Code	€
Bianco Lucido Glossy White	BC KTE L BIDE 0001	239,48
Bianco Opaco White Matt	BC KTE O BIDE 0001	422,44
Nero Opaco Black Matt	BC KTE K BIDE 0001	458,72

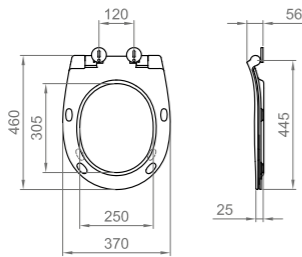
KITE - SEDILI | KITE - SEAT



Sedile in termoindurente con chiusura soft-close e sgancio rapido

Slim thermoset seat, with soft-close and quick release system

Finitura Finishing	Codice Code	€	Vaso abbinato Compatible WC
Bianco Lucido Glossy White	BS KTE L 0003	129,43	BC KTE L VASO / BC KTE L VASO 0001

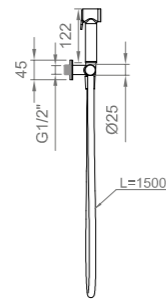


Sedile in termoindurente con chiusura soft-close e sgancio rapido

Slim thermoset seat, with soft-close and quick release system

Finitura Finishing	Codice Code	€	Vaso abbinato Compatible WC
Bianco Opaco White Matt	BS KTE O 0001	171,75	BC KTE O VASO / BC KTE O VASO 0001
Nero Opaco Black Matt	BS KTE K 0001	189,89	BC KTE K VASO / BC KTE K VASO 0001

DOCGETTA SANITARIA | WC SHOWER KIT



Kit in ottone con presa d'acqua e rubinetto on/off integrato. Flessibile antitorsione 1500 mm. Doccetta Sanitaria.

Shower kit with water outlet and integrated on/off mixer. 1500 mm anti-twist hose. Hand shower

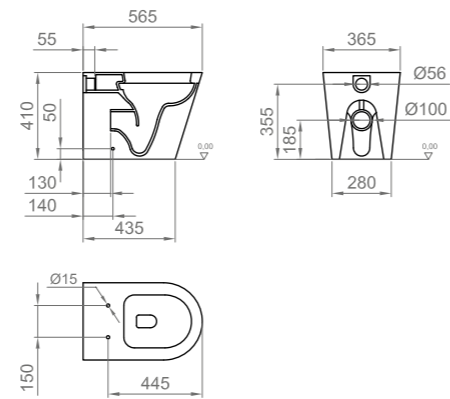
Finitura Finishing	Codice Code	€
Cromo Chrome	BN KIT C KI51	118,22





SURF

SURF

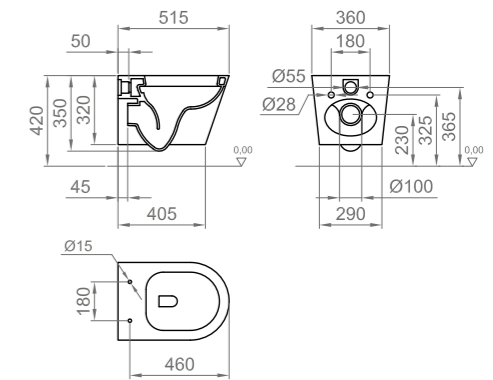


Vaso a terra in vetrochina, installazione filo parete. Rimless, risciacquo a partire da 4L.
Kit per il fissaggio incluso, sedile non incluso.

Vitreous china floor-mounted WC, back to wall, rimless, water flush up to 4 ltr. Fixing kit included, seat not included

Finitura Finishing	Codice Code	€	Sedile abbinato Compatible seat
Bianco Lucido Glossy White	BC SUR L VASO 0003	275,00	BS SUR L 0003

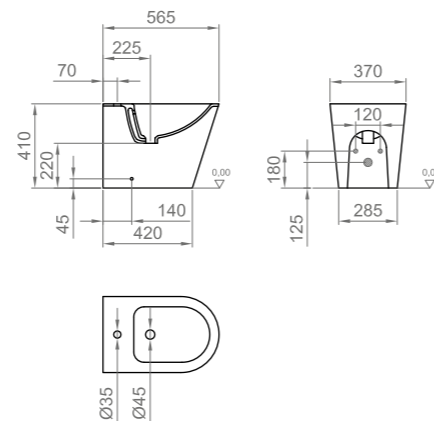
SURF



Vaso sospeso in vetrochina, installazione filo parete. Rimless, risciacquo a partire da 4L.
Kit per il fissaggio incluso, sedile non incluso

Vitreous china wall-mounted WC, back to wall, rimless, water flush up to 4 ltr. Fixing kit included, seat not included

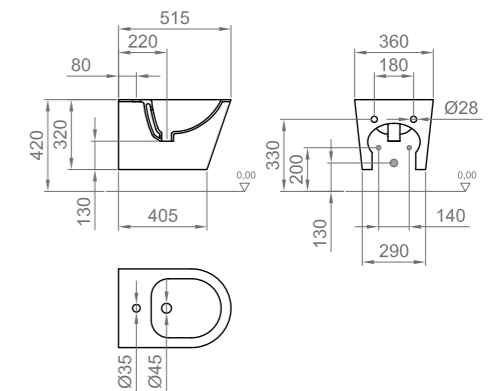
Finitura Finishing	Codice Code	€	Sedile abbinato Compatible seat
Bianco Lucido Glossy White	BC SUR L VASO 0004	275,00	BS SUR L 0003



Bidet a terra in vetrochina, installazione filo parete. Con troppo pieno, foro per rubinetteria.
Kit per il fissaggio incluso.

Vitreous china floor-mounted bidet, back to wall, with overflow, mixer hole. Fixing kit included

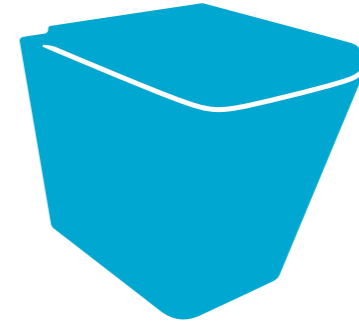
Finitura Finishing	Codice Code	€
Bianco Lucido Glossy White	BC SUR L BIDE 0003	275,00



Bidet sospeso in vetrochina, installazione filo parete con troppo pieno, foro per rubinetteria.
Kit per il fissaggio incluso.

Vitreous china wall-mounted bidet, back to wall with overflow, mixer hole. Fixing kit included.

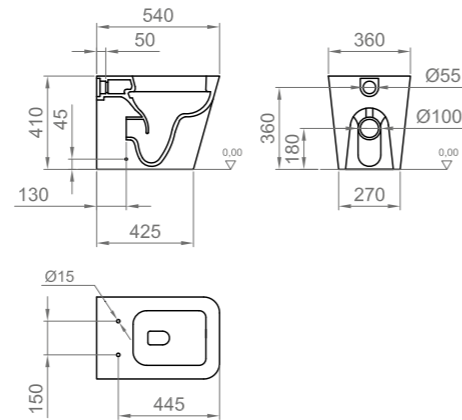
Finitura Finishing	Codice Code	€
Bianco Lucido Glossy White	BC SUR L BIDE 0004	275,00



WAVE



WAVE

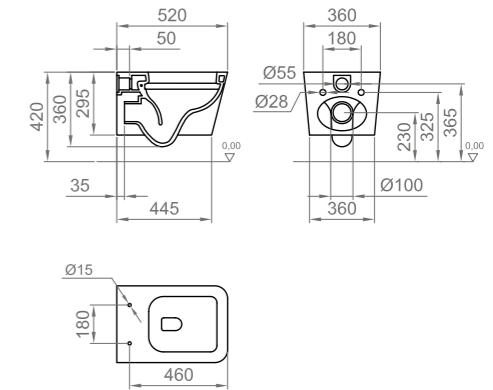


Vaso a terra in vetrochina, installazione filo parete.
Rimless, risciacquo a partire da 4l.
Kit per il fissaggio incluso, sedile non incluso.

Vitreous china floor-mounted WC, back to wall, rimless, water flush up to 4 ltr.
Fixing kit included, seat not included

Finitura Finishing	Codice Code	€	Sedile abbinato Compatible seat
Bianco Lucido Glossy White	BC WAV L VASO 0003	275,00	BS WAV L 0003

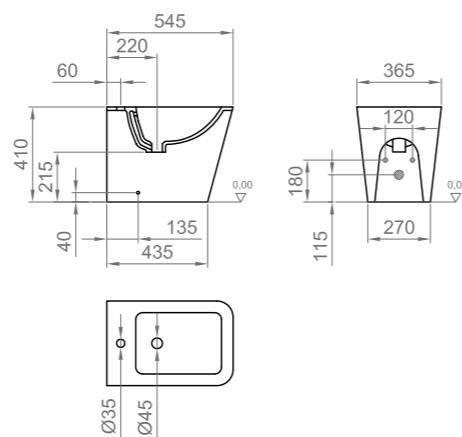
WAVE



Vaso sospeso in vetrochina, installazione filo parete.
Rimless, risciacquo a partire da 4l.
Kit per il fissaggio incluso, sedile non incluso.

Vitreous china wall-mounted WC, back to wall, rimless, water flush up to 4 ltr.
Fixing kit included, seat not included

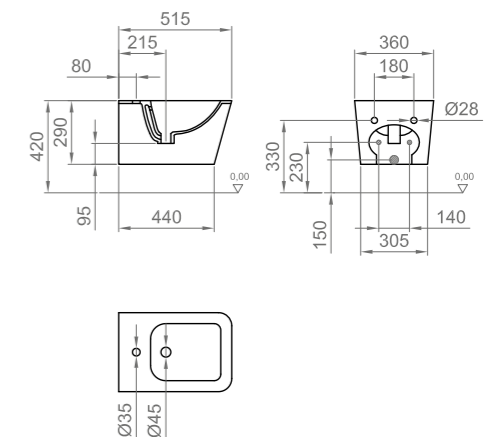
Finitura Finishing	Codice Code	€	Sedile abbinato Compatible seat
Bianco Lucido Glossy White	BC WAV L VASO 0004	275,00	BS WAV L 0003



Bidet a terra in vetrochina, installazione filo parete, Con troppo pieno, foro per rubinetteria.
Kit per il fissaggio incluso.

Vitreous china floor-mounted bidet, back to wall, with overflow, mixer hole.
Fixing kit included

Finitura Finishing	Codice Code	€
Bianco Lucido Glossy White	BC WAV L BIDE 0003	275,00



Bidet sospeso in vetrochina, installazione filo parete con troppo pieno, foro per rubinetteria.
Kit per il fissaggio incluso.

Vitreous china wall-mounted bidet, back to wall with overflow, mixer hole.
Fixing kit included.

Finitura Finishing	Codice Code	€
Bianco Lucido Glossy White	BC WAV L BIDE 0004	275,00

LAVABI E ACCESSORI

BASINS AND ACCESSORIES

LAVABI D'APPOGGIO

COUNTERTOP BASINS

MUSA 218

OLIMPIA 222

CUBA 226

LAVABI SOSPESI

FLOATING BASINS

MALIBU 227

MOON 230

LAVABI DA MOBILE

FURNITURE BASINS

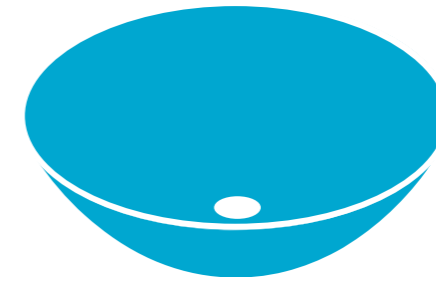
PLANET 231

ACCESSORI

ACCESSORIES

PILETTE
WASTES 234

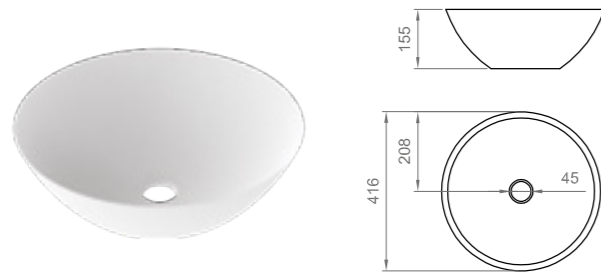
SIFONI
TRAPS 236



LAVABI D'APPOGGIO COUNTERTOP BASINS

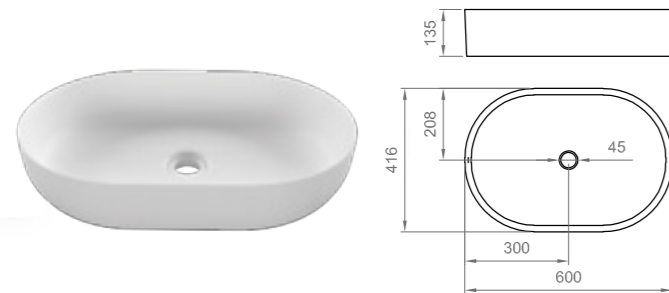


MUSA



Lavabo in ceramica, senza troppo pieno
Ceramic basin, without overflow

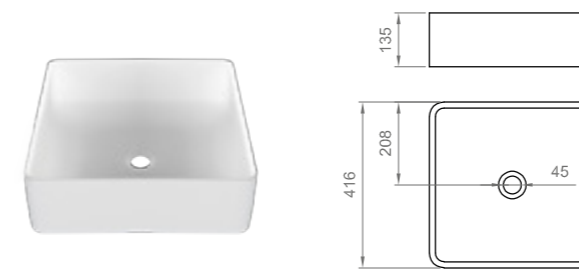
Misure mm Dimension mm	Finitura Finishing	Codice Code	€
Ø 416	Bianco Lucido Glossy White	BL CER L MUSA 0001	106,70
Ø 416	Bianco Opaco White Matt	BL CER O MUSA 0001	191,40
Ø 416	Basalto Opaco Basalt Matt	BL CER B MUSA 0001	191,40
Ø 416	Cappuccino Opaco Cappucino Matt	BL CER P MUSA 0001	191,40
Ø 416	Nero Opaco Black Matt	BL CER N MUSA 0001	191,40



Lavabo in ceramica, senza troppo pieno
Ceramic basin, without overflow

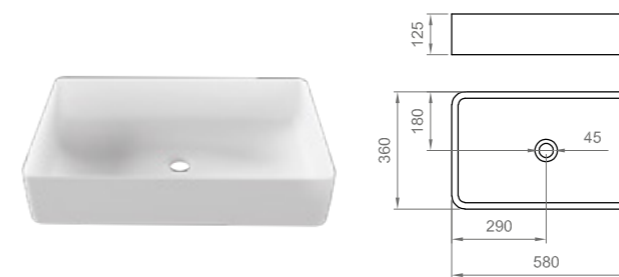
Misure mm Dimension mm	Finitura Finishing	Codice Code	€
600x416	Bianco Lucido Glossy White	BL CER L MUSA 0002	134,20
600x416	Bianco Opaco White Matt	BL CER O MUSA 0002	240,90
600x416	Basalto Opaco Basalt Matt	BL CER B MUSA 0002	240,90
600x416	Cappuccino Opaco Cappucino Matt	BL CER P MUSA 0002	240,90
0600x416	Nero Opaco Black Matt	BL CER N MUSA 0002	240,90

MUSA



Lavabo in ceramica, senza troppo pieno
Ceramic basin, without overflow

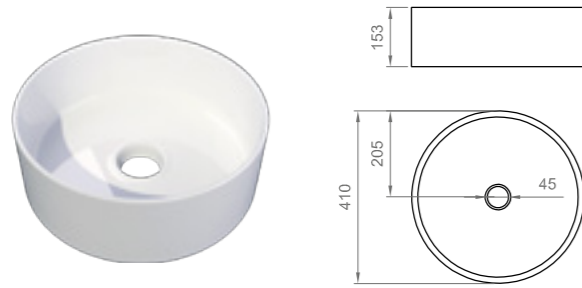
Misure mm Dimension mm	Finitura Finishing	Codice Code	€
416x416	Bianco Lucido Glossy White	BL CER L MUSA 0011	148,50
416x416	Bianco Opaco White Matt	BL CER O MUSA 0011	248,60
416x416	Basalto Opaco Basalt Matt	BL CER B MUSA 0011	248,60
416x416	Cappuccino Opaco Cappucino Matt	BL CER P MUSA 0011	248,60
416x416	Nero Opaco Black Matt	BL CER N MUSA 0011	248,60



Lavabo in ceramica, senza troppo pieno
Ceramic basin, without overflow

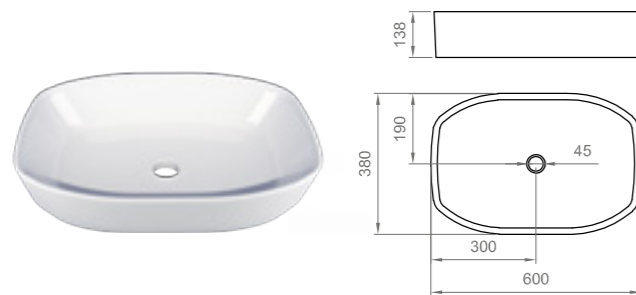
Misure mm Dimension mm	Finitura Finishing	Codice Code	€
580x360	Bianco Lucido Glossy White	BL CER L MUSA 0012	155,10
580x360	Bianco Opaco White Matt	BL CER O MUSA 0012	261,80
580x360	Basalto Opaco Basalt Matt	BL CER B MUSA 0012	261,80
580x360	Cappuccino Opaco Cappucino Matt	BL CER P MUSA 0012	261,80
580x360	Nero Opaco Black Matt	BL CER N MUSA 0012	261,80

MUSA



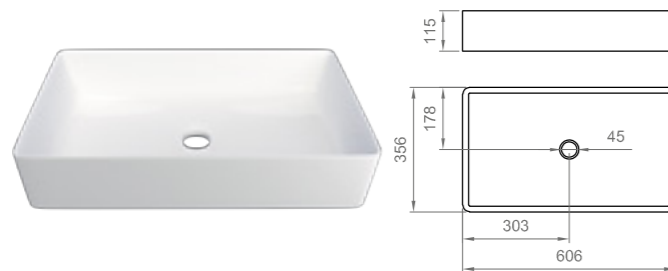
Lavabo in ceramica, senza troppo pieno
Ceramic basin, without overflow

Misure mm Dimension mm	Finitura Finishing	Codice Code	€
Ø 410	Bianco Lucido Glossy White	BL CER L MUSA 0005	119,90
Ø 410	Bianco Opaco White Matt	BL CER O MUSA 0005	201,30



Lavabo in ceramica, senza troppo pieno
Ceramic basin, without overflow

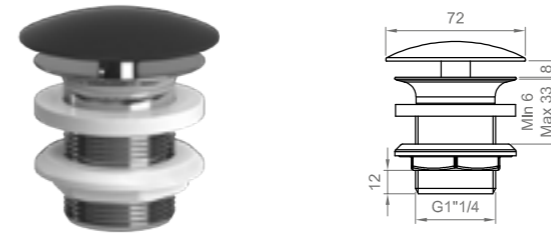
Misure mm Dimension mm	Finitura Finishing	Codice Code	€
600x380	Bianco Lucido Glossy White	BL CER L MUSA 0003	202,40
600x380	Bianco Opaco White Matt	BL CER O MUSA 0003	337,70



Lavabo in ceramica, senza troppo pieno
Ceramic basin, without overflow

Misure mm Dimension mm	Finitura Finishing	Codice Code	€
606X356	Bianco Lucido Glossy White	BL CER L MUSA 0004	170,50
606X356	Bianco Opaco White Matt	BL CER O MUSA 0004	320,10

MUSA - PILETTE | MUSA - WASTE



Piletta tonda 1" 1/4 click clack con calotta in ceramica e possibilità di configurarla a scarico libero. Compatibile con lavabi senza troppo pieno
1" 1/4 pop-up waste with ceramic cap and free flow option. Compatible with basins without overflow.

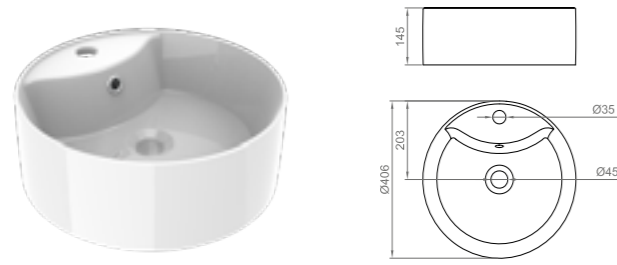
Finitura Finishing	Codice Code	€
Bianco Lucido Glossy White	BT SCA L VR67	36,40
Bianco Opaco White Matt	BT SCA O VR67	36,40
Basalto Opaco Basalt Matt	BT SCA B VR67	36,40
Cappuccino Opaco Cappucino Matt	BT SCA P VR67	36,40
Nero Opaco Black Matt	BT SCA N VR67	36,40



Piletta tonda 1" 1/4 click clack. Compatibile con lavabi senza troppo pieno
1" 1/4 pop-up waste. Compatible with basins without overflow.

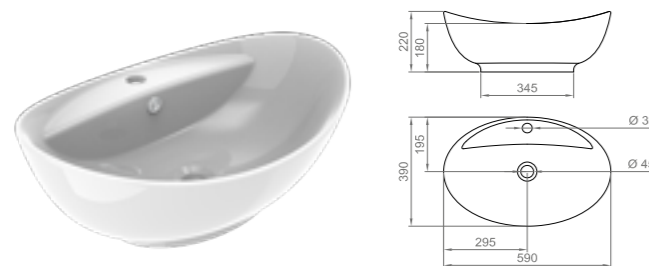
Finitura Finishing	Codice Code	€
Cromo Chrome	BT SCA C VR66	34,20
Nero Opaco Black Matt	BT SCA K VR66	54,08

OLIMPIA



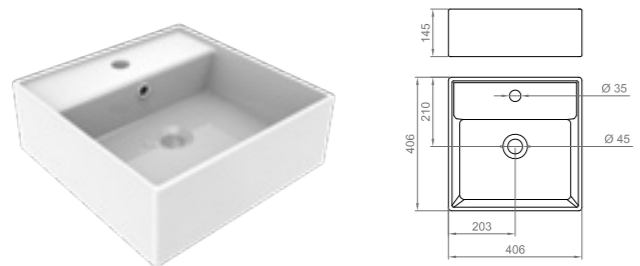
Lavabo in ceramica, con troppo pieno e foro per miscelatore
Ceramic basin with integrated overflow and mixer hole

Misure mm Dimension mm	Finitura Finishing	Codice Code	€
Ø 406	Bianco Lucido Glossy White	BL CER L OLIM 0001	108,90



Lavabo in ceramica, con troppo pieno e foro per miscelatore
Ceramic basin with integrated overflow and mixer hole

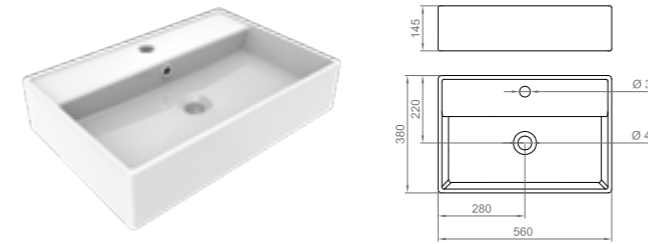
Misure mm Dimension mm	Finitura Finishing	Codice Code	€
590x390	Bianco Lucido Glossy White	BL CER L OLIM 0002	125,40



Lavabo in ceramica, con troppo pieno e foro per miscelatore
Ceramic basin with integrated overflow and mixer hole

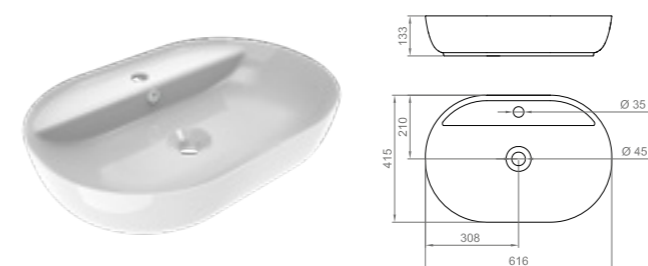
Misure mm Dimension mm	Finitura Finishing	Codice Code	€
406x406	Bianco Lucido Glossy White	BL CER L OLIM 0003	108,90

OLIMPIA



Lavabo in ceramica, con troppo pieno e foro per miscelatore
Ceramic basin with integrated overflow and mixer hole

Misure mm Dimension mm	Finitura Finishing	Codice Code	€
560x380	Bianco Lucido Glossy White	BL CER L OLIM 0004	172,70



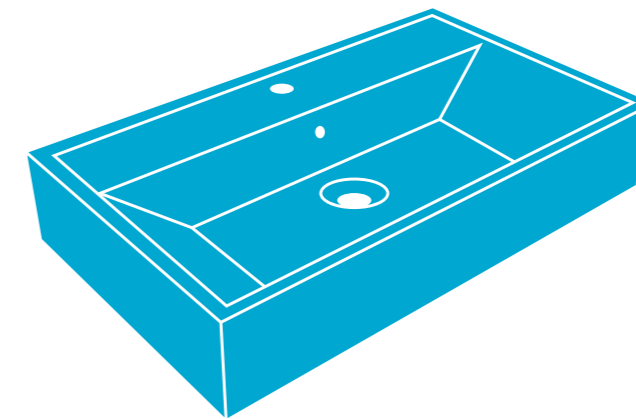
Lavabo in ceramica, con troppo pieno e foro per miscelatore
Ceramic basin with integrated overflow and mixer hole

Misure mm Dimension mm	Finitura Finishing	Codice Code	€
616x415	Bianco Lucido Glossy White	BL CER L OLIM 0005	152,90



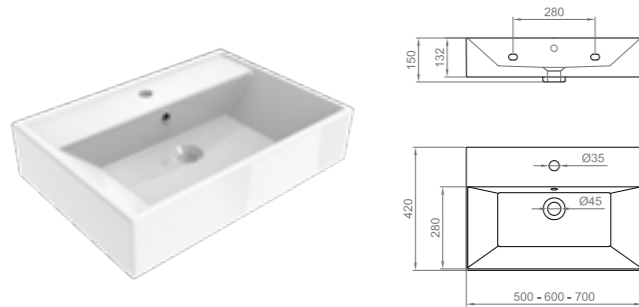
Piletta tonda 1" 1/4 click clack. Compatibile con lavabi con troppo pieno
1" 1/4 pop-up waste. Compatible with basins with overflow.

Finitura Finishing	Codice Code	€
Cromo Chrome	BT SCA C VR50	22,89



LAVABI SOSPESI FLOATING BASINS

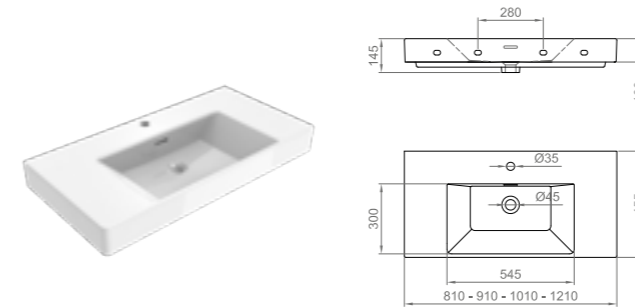


CUBA

Lavabo in ceramica con vasca centrale, con troppo pieno e foro per miscelatore

Ceramic basin, central bowl, integrated overflow and mixer hole

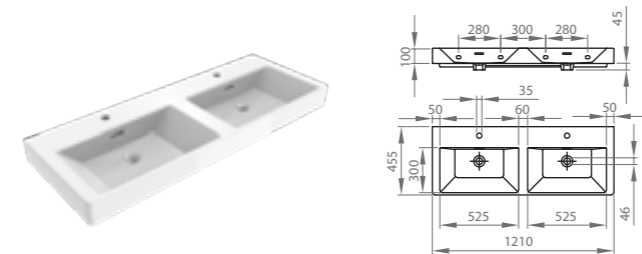
Misure mm Dimension mm	Finitura Finishing	Codice Code	€
500x420	Bianco Lucido Glossy White	BL CER L CUBA 0050	237,12
600x420	Bianco Lucido Glossy White	BL CER L CUBA 0060	269,36
700x420	Bianco Lucido Glossy White	BL CER L CUBA 0070	302,64

MALIBÙ

Lavabo in ceramica con vasca centrale, con troppo pieno e foro per miscelatore

Ceramic basin, central bowl, integrated overflow and mixer hole

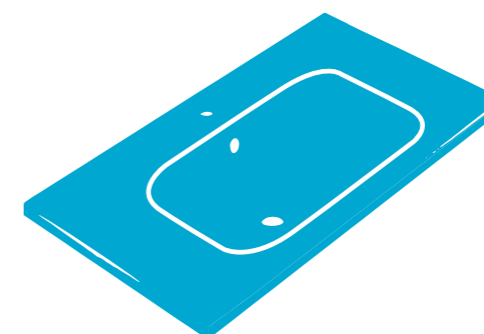
Misure mm Dimension mm	Finitura Finishing	Codice Code	€
810x455	Bianco Lucido Glossy White	BL CER L MALI 0080	343,20
910x455	Bianco Lucido Glossy White	BL CER L MALI 0090	371,28
1010x455	Bianco Lucido Glossy White	BL CER L MALI 0010	534,56
1210x455	Bianco Lucido Glossy White	BL CER L MALI 0012	605,28



Lavabo in ceramica con vasca doppia, con troppo pieno e foro per miscelatore

Ceramic basin, double bowl, with integrated overflow and mixer hole

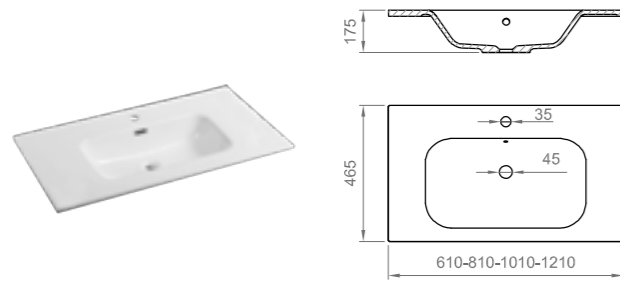
Misure mm Dimension mm	Finitura Finishing	Codice Code	€
1210x455	Bianco Lucido Glossy White	BL CER L MALI 0212	665,60



LAVABI DA MOBILE FURNITURE BASINS



MOON

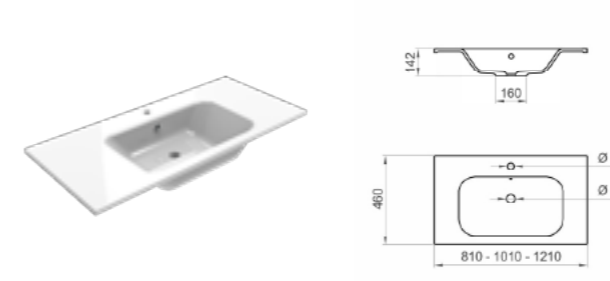


Lavabo in ceramica, 1 vasca,
con troppo pieno integrato e
foro per miscelatore

Ceramic basin, 1 bowl,
with integrated overflow and mixer hole

Misure mm Dimension mm	Finitura Finishing	Codice Code	€
610x465	Bianco Lucido Glossy White	BL CER L MOON 0001	134,20
810x465	Bianco Lucido Glossy White	BL CER L MOON 0002	180,40
1010x465	Bianco Lucido Glossy White	BL CER L MOON 0003	228,80
1210x465	Bianco Lucido Glossy White	BL CER L MOON 0004	408,10

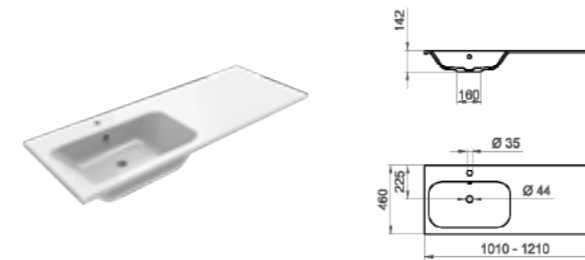
PLANET



Lavabo in composito di marmo, 1 vasca,
con troppo pieno integrato e
foro per miscelatore

Composite marble basin, 1 bowl,
with integrated overflow and mixer hole

Misure mm Dimension mm	Finitura Finishing	Codice Code	€
810x460	Bianco Opaco White Matt	BL MAR O PLAN 0001	282,88
1010x460	Bianco Opaco White Matt	BL MAR O PLAN 0002	332,80
1210x460	Bianco Opaco White Matt	BL MAR O PLAN 0006	436,80



Lavabo in composito di marmo, vasca laterale,
con troppo pieno integrato e
foro per miscelatore

Composite marble basin, lateral bowl,
with integrated overflow and mixer hole

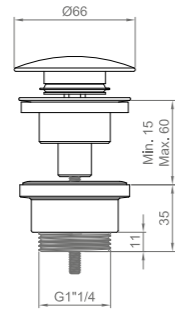
Misure mm Dimension mm	Finitura Finishing	Vasca Bowl	Codice Code	€
1010x460	Bianco Lucido Glossy White	SX	BL MAR L PLAN 0007	295,36
1010x460	Bianco Opaco White Matt	SX	BL MAR O PLAN 0007	332,80
1010x460	Bianco Lucido Glossy White	DX	BL MAR L PLAN 0008	295,36
1010x460	Bianco Opaco White Matt	DX	BL MAR O PLAN 0008	332,80
1210x460	Bianco Lucido Glossy White	SX	BL MAR L PLAN 0004	406,64
1210x460	Bianco Opaco White Matt	SX	BL MAR O PLAN 0004	436,80
1210x460	Bianco Lucido Glossy White	DX	BL MAR L PLAN 0005	406,64
1210x460	Bianco Opaco White Matt	DX	BL MAR O PLAN 0005	436,80



ACCESSORI **ACCESSORIES**

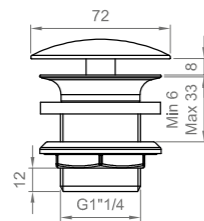


PILETTE | WASTE



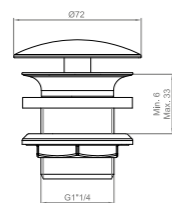
Piletta tonda 1" 1/4 click clack in acciaio inox configurabile a scarico libero. Compatibile con lavabi con/senza troppo pieno.
Stainless steel 1" 1/4 pop-up waste and free flow option. Compatible with basins with/without overflow.

Finitura Finishing	Codice Code	€
Acciaio Spazzolato Brushed Steel	BT STL X VR66	51,08



Piletta tonda 1" 1/4 click clack con calotta in ceramica e possibilità di configurarla a scarico libero. Compatibile con lavabi senza troppo pieno.
1" 1/4 pop-up waste with ceramic cap and free flow option. Compatible with basins without overflow.

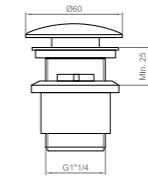
Finitura Finishing	Codice Code	€
Bianco Lucido Glossy White	BT SCA L VR67	36,40
Bianco Opaco White Matt	BT SCA O VR67	36,40
Basalto Opaco Basalt Matt	BT SCA B VR67	36,40
Cappuccino Opaco Cappucino Matt	BT SCA P VR67	36,40
Nero Opaco Black Matt	BT SCA N VR67	36,40



Piletta tonda 1"1/4 a scarico libero. Compatibile con lavabi senza troppo pieno.
1" 1/4 round waste with free flow. Compatible with basins without overflow.

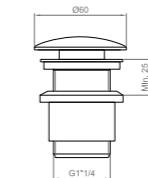
Finitura Finishing	Codice Code	€
Cromo Chrome	BT SCA C VR66	34,20
Nero Opaco Black Matt	BT SCA K VR66	54,08

PILETTE | WASTE



Piletta tonda 1" 1/4 click clack. Compatibile con lavabi con troppo pieno.
1" 1/4 pop-up waste. Compatible with basins with overflow.

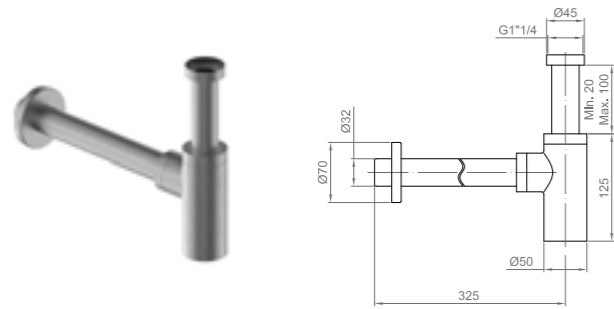
Finitura Finishing	Codice Code	€
Cromo Chrome	BT SCA C VR50	22,89



Piletta tonda 1" 1/4 click clack. Compatibile con lavabi senza troppo pieno.
1" 1/4 pop-up waste. Compatible with basins without overflow.

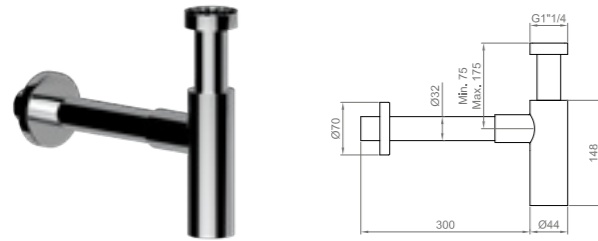
Finitura Finishing	Codice Code	€
Cromo Chrome	BT SCA C VR51	21,28

SIFONI | TRAP



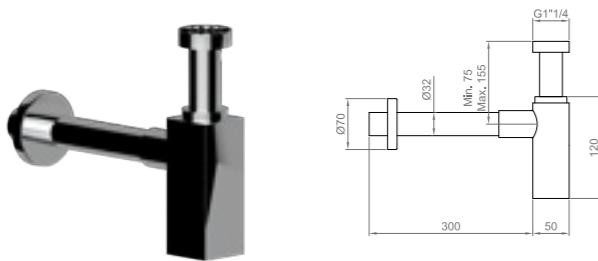
Sifone tondo 1"1/4 in acciaio inox
1"1/4 round bottle trap

Finitura Finishing	Codice Code	€
Acciaio Spazzolato Brushed Steel	BT STL X VR40	197,37



Sifone tondo 1" 1/4
1 1/4" round bottle trap

Finitura Finishing	Codice Code	€
Cromo Chrome	BT SCA C VR40	38,21
Nero Opaco Black Matt	BT SCA K VR40	54,68



Sifone quadrato 1" 1/4
1 1/4" square bottle trap

Finitura Finishing	Codice Code	€
Cromo Chrome	BT SCA C VR41	47,96
Nero Opaco Black Matt	BT SCA K VR41	75,65

SIFONI | TRAP



Sifone salvaspazio per mobile
Space-saving furniture trap

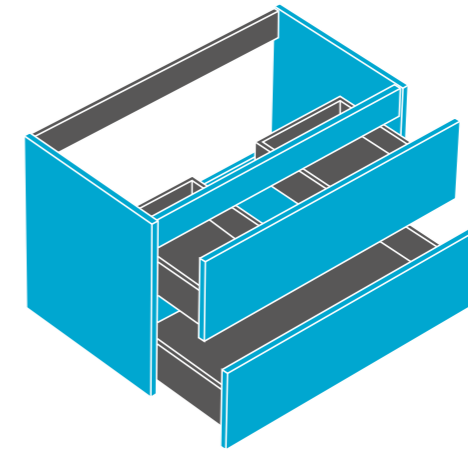
Finitura Finishing	Codice Code	€
Bianco White	BT SCA C VR42	25,55

MOBILI
FURNITURES

SMILE | 241

VITO | 247

TEO | 261



SMILE

SMILE

CARATTERISTICHE | TECHNICAL SPECS



Guide cassetto

Lo scorrimento su cuscinetti garantisce un comfort d'uso ottimale permettendo uno scorrimento ad alta precisione e un movimento leggero e armonioso.

Drawer guides

Drawers slide comfortably on ball-bearings, always opening and closing easily and perfectly.



Cassetto Soft-Close

I cassetti sono dotati di sistema Soft Close (chiusura ammortizzata) ad estrazione totale.

Soft-Close drawer

All the drawers are "Soft-Close" equipped and are fully extractable



Cassetto con sgancio rapido

Ogni cassetto è fornito di dispositivo di aggancio/sgancio rapido.

Quick release

All drawers have a quick release and coupling system.



Ante Soft Close

Le ante montano cerniere in metallo con Sistema Soft Close (chiusura ammortizzata) regolabili in altezza, larghezza e profondità.

Soft Close doors

All doors are mounted on metal hinges, with the Soft-Close system, and are adjustable (height/width/depth).



Compatibilità

Completa il mobile Smile con un lavabo da mobile

Quick release

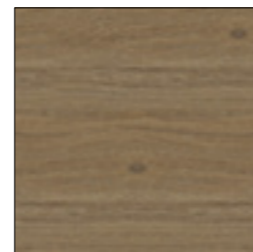
Complete the Smile furniture with a furniture basin

FINITURE | FINISHING



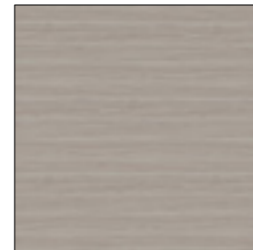
B

Bianco Frassinato | White Ash



N

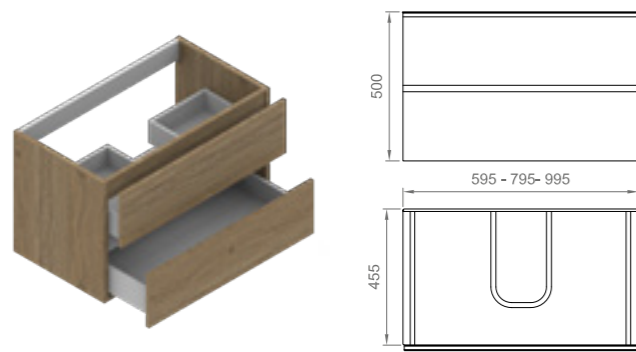
Rovere Chiaro | Light Oak



O

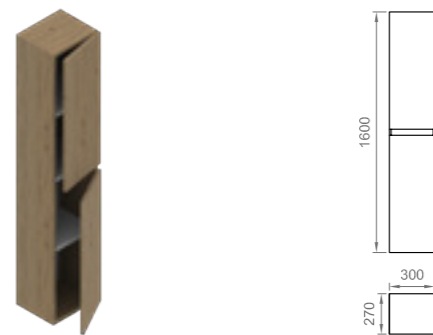
Olmo | Elm

SMILE



Base per lavabo da mobile, 2 cassetti
Furniture basin base, 2 drawers

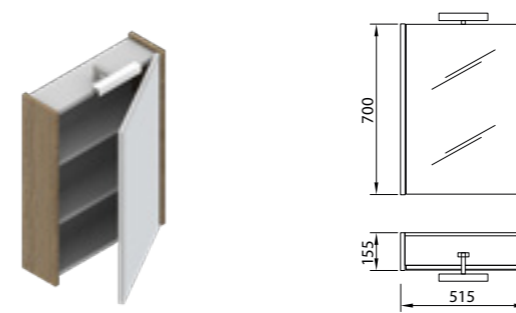
Dimensioni mm Dimension mm	Finitura Finishing	Codice Code	€
595x455x500	Bianco Frassinato White Ash	BE SMI B CASS 5950	406,64
595x455x500	Rovere Chiaro Light Oak	BE SMI N CASS 5950	406,64
595x455x500	Olmo Elm	BE SMI O CASS 5950	406,64
795x455x500	Bianco Frassinato White Ash	BE SMI B CASS 7950	462,80
795x455x500	Rovere Chiaro Light Oak	BE SMI N CASS 7950	462,80
795x455x500	Olmo Elm	BE SMI O CASS 7950	462,80
995x455x500	Bianco Frassinato White Ash	BE SMI B CASS 9950	509,60
995x455x500	Rovere Chiaro Light Oak	BE SMI N CASS 9950	509,60
995x455x500	Olmo Elm	BE SMI O CASS 9950	509,60



Colonna con due ante, reversibile
Tall cabinet with two reversible doors

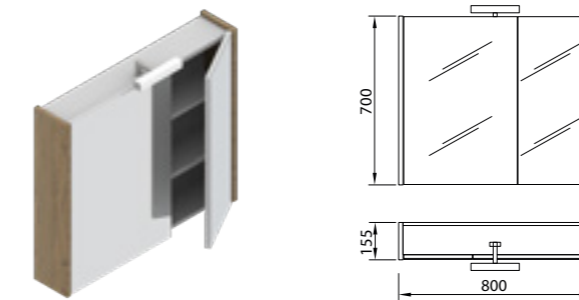
Dimensioni mm Dimension mm	Finitura Finishing	Codice Code	€
300x270x1600	Bianco Frassinato White Ash	BE SMI B PENS 1630	358,80
300x270x1600	Rovere Chiaro Light Oak	BE SMI N PENS 1630	358,80
300x270x1600	Olmo Elm	BE SMI O PENS 1630	358,80

SMILE



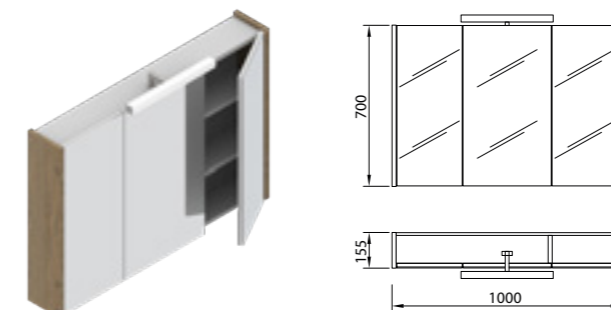
Specchio contenitore con 1 anta battente
e lampada a LED
Mirror cabinet, 1 door with light

Dimensioni mm Dimension mm	Finitura Finishing	Codice Code	€
515x155x700	Bianco Frassinato White Ash	BE SMI B SPEC 5171	297,44
515x155x700	Rovere Chiaro Light Oak	BE SMI N SPEC 5171	297,44
515x155x700	Olmo Elm	BE SMI O SPEC 5171	297,44



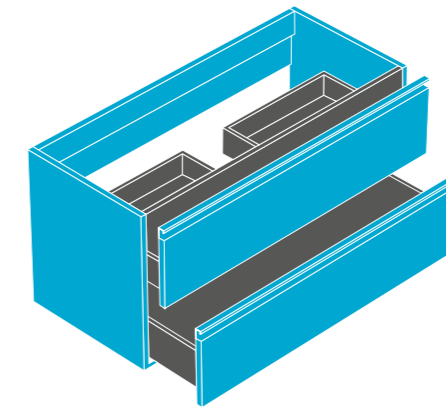
Specchio contenitore con 2 ante battenti
e lampada a LED
Mirror cabinet, 2 doors with light

Dimensioni mm Dimension mm	Finitura Finishing	Codice Code	€
800x155x700	Bianco Frassinato White Ash	BE SMI B SPEC 8072 0100	364,00
800x155x700	Rovere Chiaro Light Oak	BE SMI N SPEC 8072 0100	364,00
800x155x700	Olmo Elm	BE SMI O SPEC 8072 0100	364,00



Specchio contenitore con 3 ante battenti
e lampada a LED
Mirror cabinet, 3 doors with light

Dimensioni mm Dimension mm	Finitura Finishing	Codice Code	€
1000x155x700	Bianco Frassinato White Ash	BE SMI B SPEC 1073 0100	452,40
1000x155x700	Rovere Chiaro Light Oak	BE SMI N SPEC 1073 0100	452,40
1000x155x700	Olmo Elm	BE SMI O SPEC 1073 0100	452,40



VITO

VITO

CARATTERISTICHE | TECHNICAL SPECS



Guide cassetto

Lo scorrimento su cuscinetti garantisce un comfort d'uso ottimale permettendo uno scorrimento ad alta precisione e un movimento leggero e armonioso.

Drawer guides

Drawers slide comfortably on ball-bearings, always opening and closing easily and perfectly.



Cassetto Soft-Close

I cassetti sono dotati di sistema Soft Close (chiusura ammortizzata) ad estrazione totale.

Soft-Close drawer

All the drawers are "Soft-Close" equipped and are fully extractable



Cassetto con sgancio rapido

Ogni cassetto è fornito di dispositivo di aggancio/sgancio rapido.

Quick release

All drawers have a quick release and coupling system.



Ante Soft Close

Le ante montano cerniere in metallo con Sistema Soft Close (chiusura ammortizzata) regolabili in altezza, larghezza e profondità.

Soft Close doors

All doors are mounted on metal hinges, with the Soft-Close system, and are adjustable (height/width/depth).



Apertura a gola metallica

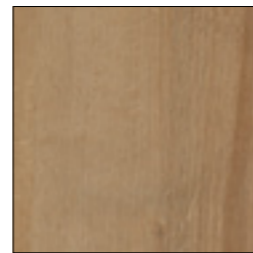
Metallic groove opening

FINITURE | FINISHING



O

Bianco Opaco | Matt White

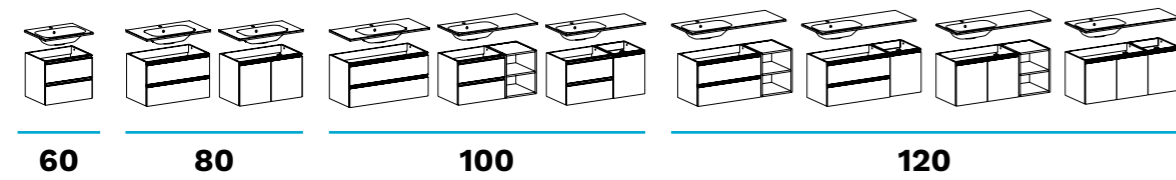


R

Rovere | Oak

VITO

SOLUZIONI CON LAVABO DA MOBILE | FURNITURE BASIN SOLUTIONS



MOBILI | FURNITURE

- Bianco opaco | Matt white
- Rovere | Oak

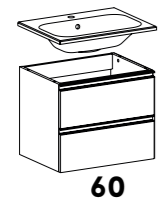
LAVABI | BASINS

- Bianco lucido | Glossy white
- Bianco opaco | Matt white

OPZIONI | OPTIONS

- ⊕ Disponibile Destro | Right available

COMPOSIZIONI DA 60CM | 60CM CONFIGURATIONS



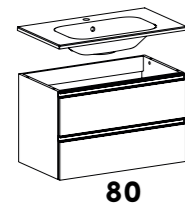
BASE DUE CASSETTI |
2-drawers base
BEVITOCASS6054
BEVITRCASS6054



LAVABO | Basin
BLCERLMOON001
BLMARLPLAN0003

Vasca Centrale | Central bowl

COMPOSIZIONI DA 80CM | 80CM CONFIGURATIONS

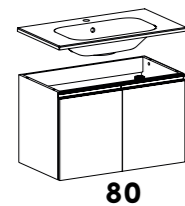


BASE DUE CASSETTI |
2-drawers base
BEVITOCASS8054
BEVITRCASS8054



LAVABO | Basin
BLCERLMOON002
BLMAROPLAN0001

Vasca Centrale | Central bowl



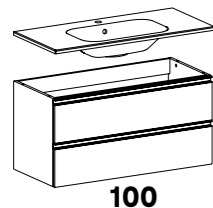
BASE DUE ANTE | 2-Door base
BEVITOBAA8054
BEVITRBAAN8054



LAVABO | Basin
BLCERLMOON002
BLMAROPLAN0001

Vasca Centrale | Central bowl

COMPOSIZIONI DA 100CM | 100CM CONFIGURATIONS



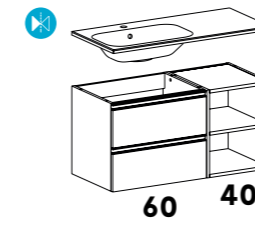
BASE DUE CASSETTI |
2-drawers base
BEVITOCASS1054
BEVITRCASS1054



LAVABO | Basin
BLCERLMOON003
BLMAROPLAN0002

Vasca Centrale | Central bowl

VITO



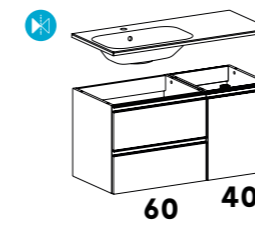
BASE DUE CASSETTI |
2-drawers base
BEVITOCASS6054
BEVITRCASS6054



VANO A GIORNO | open compartment
BEVITOVANO4054
BEVITRVANO4054



LAVABO | Basin
Vasca Sinistra | Left bowl
BLMARLPLAN0007
BLMAROPLAN0007
Vasca Destra | Right bowl
BLMARLPLAN0008
BLMAROPLAN0008



BASE DUE CASSETTI |
2-drawers base
BEVITOCASS6054
BEVITRCASS6054

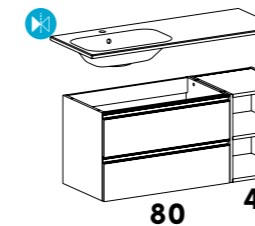


BASE UNA ANTA | 1-Door base
BEVITOBAA4054
BEVITRBAAN4054



LAVABO | Basin
Vasca Sinistra | Left bowl
BLMARLPLAN0007
BLMAROPLAN0007
Vasca Destra | Right bowl
BLMARLPLAN0008
BLMAROPLAN0008

COMPOSIZIONI DA 120CM | 120CM CONFIGURATIONS



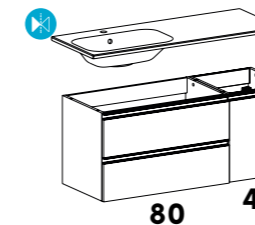
BASE DUE CASSETTI |
2-drawers base
BEVITOCASS8054
BEVITRCASS8054



VANO A GIORNO | open compartment
BEVITOVANO4054
BEVITRVANO4054



LAVABO | Basin
Vasca Sinistra | Left bowl
BLMARLPLAN0004
BLMAROPLAN0004
Vasca Destra | Right bowl
BLMARLPLAN0005
BLMAROPLAN0005



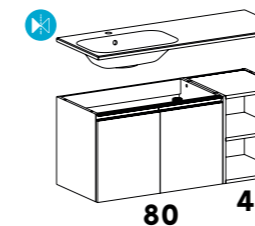
BASE DUE CASSETTI |
2-drawers base
BEVITOCASS8054
BEVITRCASS8054



BASE UNA ANTA | 1-Door base
BEVITOBAA4054
BEVITRBAAN4054



LAVABO | Basin
Vasca Sinistra | Left bowl
BLMARLPLAN0004
BLMAROPLAN0004
Vasca Destra | Right bowl
BLMARLPLAN0005
BLMAROPLAN0005



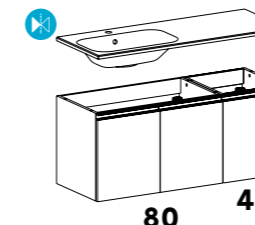
BASE DUE ANTE | 2-Door base
BEVITOBAA8054
BEVITRBAAN8054



VANO A GIORNO | open compartment
BEVITOVANO4054
BEVITRVANO4054



LAVABO | Basin
Vasca Sinistra | Left bowl
BLMARLPLAN0004
BLMAROPLAN0004
Vasca Destra | Right bowl
BLMARLPLAN0005
BLMAROPLAN0005



BASE DUE ANTE | 2-Door base
BEVITOBAA8054
BEVITRBAAN8054



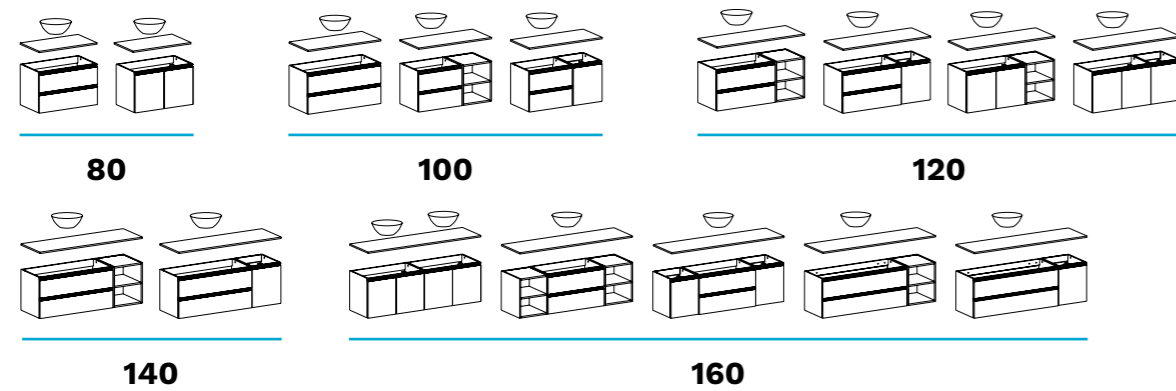
BASE UNA ANTA | 1-Door base
BEVITOBAA4054
BEVITRBAAN4054



LAVABO | Basin
Vasca Sinistra | Left bowl
BLMARLPLAN0004
BLMAROPLAN0004
Vasca Destra | Right bowl
BLMARLPLAN0005
BLMAROPLAN0005

VITO

SOLUZIONI CON LAVABO D'APPOGGIO | COUNTERTOP BASIN SOLUTIONS



MOBILI | FURNITURE

○ Bianco opaco | Matt white

● Rovere | Oak

LAVABI | BASINS

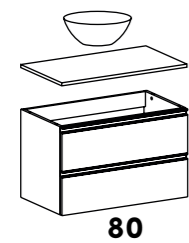
○ Bianco lucido | Glossy white

○ Bianco opaco | Matt white

OPZIONI | OPTIONS

▶ Disponibile Destro
Right available

COMPOSIZIONI DA 80CM | 80CM CONFIGURATIONS



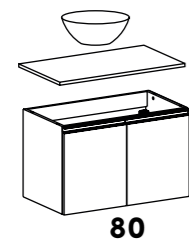
BASE DUE CASSETTI |
2-drawers base
BEVITOCASS8054
BEVITRCASS8054

+

TOP | Countertop
BEVITOTOPP8012
BEVITRTOPP8012

+

LAVABO | Basin
LAVABO D'APPOGGIO
Countertop basin
pag. 212



BASE DUE ANTE | 2-Door base
BEVITOBAAAN8054
BEVITRBAAN8054

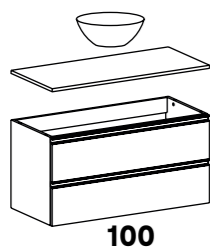
+

TOP | Countertop
BEVITOTOPP8012
BEVITRTOPP8012

+

LAVABO | Basin
LAVABO D'APPOGGIO
Countertop basin
pag. 212

COMPOSIZIONI DA 100CM | 100CM CONFIGURATIONS



BASE DUE CASSETTI |
2-drawers base
BEVITOCASS1054
BEVITRCASS1054

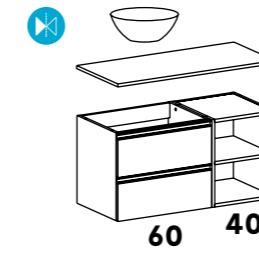
+

TOP | Countertop
BEVITOTOPP1012
BEVITRTOPP1012

+

LAVABO | Basin
LAVABO D'APPOGGIO
Countertop basin
pag. 212

VITO



BASE DUE CASSETTI |
2-drawers base
BEVITOCASS6054
BEVITRCASS6054

+

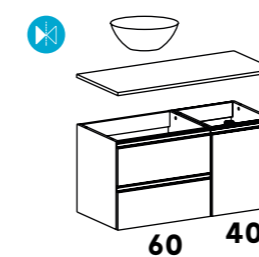
TOP | Countertop
BEVITOTOPP1012
BEVITRTOPP1012

+

VANO A GIORNO |
open compartment
BEVITOVANO4054
BEVITRVANO4054

+

LAVABO | Basin
LAVABO D'APPOGGIO
Countertop basin
pag. 212



BASE DUE CASSETTI |
2-drawers base
BEVITOCASS6054
BEVITRCASS6054

+

TOP | Countertop
BEVITOTOPP1012
BEVITRTOPP1012

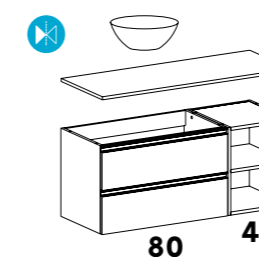
+

BASE UNA ANTA | 1-Door base
BEVITOBAAAN4054
BEVITRBAAN4054

+

LAVABO | Basin
LAVABO D'APPOGGIO
Countertop basin
pag. 212

COMPOSIZIONI DA 120CM | 120CM CONFIGURATIONS



BASE DUE CASSETTI |
2-drawers base
BEVITOCASS8054
BEVITRCASS8054

+

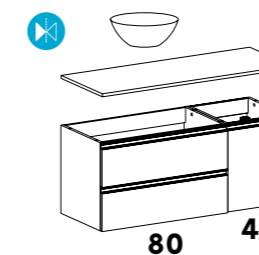
TOP | Countertop
BEVITOTOPP1212
BEVITRTOPP1212

+

VANO A GIORNO |
open compartment
BEVITOVANO4054
BEVITRVANO4054

+

LAVABO | Basin
LAVABO D'APPOGGIO
Countertop basin
pag. 212



BASE DUE CASSETTI |
2-drawers base
BEVITOCASS8054
BEVITRCASS8054

+

TOP | Countertop
BEVITOTOPP1212
BEVITRTOPP1212

+

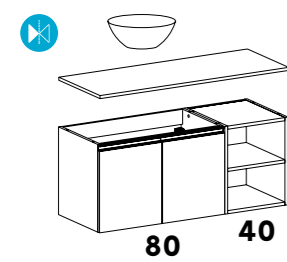
BASE UNA ANTA | 1-Door base
BEVITOBAAAN4054
BEVITRBAAN4054

+

LAVABO | Basin
LAVABO D'APPOGGIO
Countertop basin
pag. 212

VITO

COMPOSIZIONI DA 120CM | 120CM CONFIGURATIONS



BASE DUE ANTE | 2-Door base
 BEVITOBAAAN8054
 BEVITRBAAN8054

+

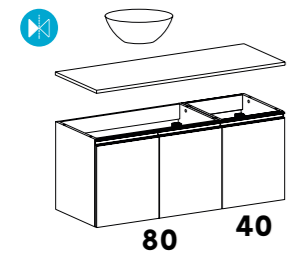
VANO A GIORNO | open compartment
 BEVITOVANO4054
 BEVITRVANO4054

+

TOP | Countertop
 BEVITOTOPP1212
 BEVITRTOPP1212

+

LAVABO | Basin
 LAVABO D'APPOGGIO
 Countertop basin
 pag. 212



BASE DUE ANTE | 2-Door base
 BEVITOBAAAN8054
 BEVITRBAAN8054

+

BASE UNA ANTA | 1-Door base
 BEVITOBAAAN4054
 BEVITRBAAN4054

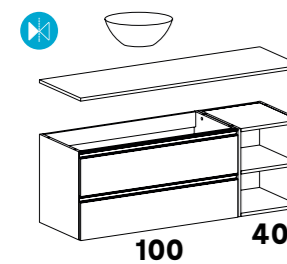
+

TOP | Countertop
 BEVITOTOPP1212
 BEVITRTOPP1212

+

LAVABO | Basin
 LAVABO D'APPOGGIO
 Countertop basin
 pag. 212

COMPOSIZIONI DA 140CM | 140CM CONFIGURATIONS



BASE DUE CASSETTI | 2-drawers base
 BEVITOCASS1054
 BEVITRCASS1054

+

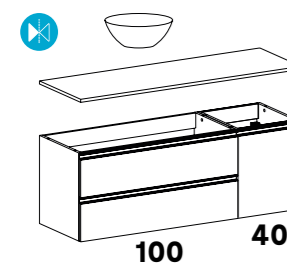
VANO A GIORNO | open compartment
 BEVITOVANO4054
 BEVITRVANO4054

+

TOP | Countertop
 BEVITOTOPP1412
 BEVITRTOPP1412

+

LAVABO | Basin
 LAVABO D'APPOGGIO
 Countertop basin
 pag. 212



BASE DUE CASSETTI | 2-drawers base
 BEVITOCASS1054
 BEVITRCASS1054

+

BASE UNA ANTA | 1-Door base
 BEVITOBAAAN4054
 BEVITRBAAN4054

+

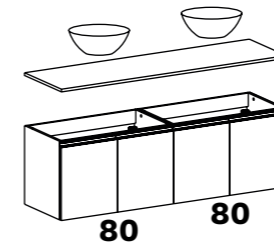
TOP | Countertop
 BEVITOTOPP1412
 BEVITRTOPP1412

+

LAVABO | Basin
 LAVABO D'APPOGGIO
 Countertop basin
 pag. 212

VITO

COMPOSIZIONI DA 160CM | 160CM CONFIGURATIONS



BASE DUE ANTE | 2-Door base
 BEVITOBAAAN8054
 BEVITRBAAN8054

+

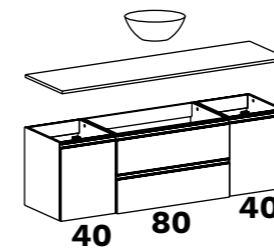
BASE DUE ANTE | 2-Door base
 BEVITOBAAAN8054
 BEVITRBAAN8054

+

TOP | Countertop
 BEVITOTOPP1612
 BEVITRTOPP1612

+

LAVABO (x2) | Basin (x2)
 LAVABO D'APPOGGIO
 Countertop basin
 pag. 212



BASE DUE CASSETTI | 2-drawers base
 BEVITOCASS8054
 BEVITRCASS8054

+

BASE UNA ANTA | 1-Door base
 BEVITOBAAAN4054
 BEVITRBAAN4054

+

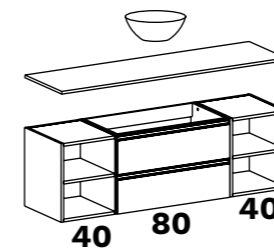
BASE UNA ANTA | 1-Door base
 BEVITOBAAAN4054
 BEVITRBAAN4054

+

TOP | Countertop
 BEVITOTOPP1612
 BEVITRTOPP1612

+

LAVABO | Basin
 LAVABO D'APPOGGIO
 Countertop basin
 pag. 212



BASE DUE CASSETTI | 2-drawers base
 BEVITOCASS8054
 BEVITRCASS8054

+

VANO A GIORNO | open compartment
 BEVITOVANO4054
 BEVITRVANO4054

+

VANO A GIORNO | open compartment
 BEVITOVANO4054
 BEVITRVANO4054

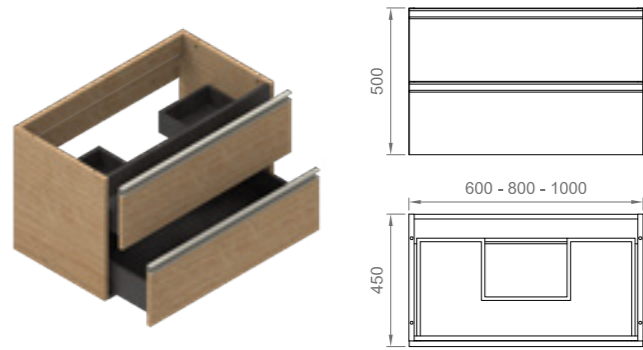
+

TOP | Countertop
 BEVITOTOPP1612
 BEVITRTOPP1612

+

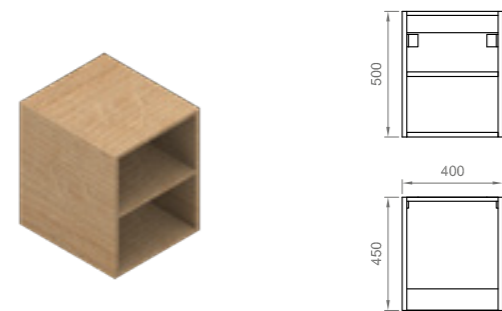
LAVABO | Basin
 LAVABO D'APPOGGIO
 Countertop basin
 pag. 212

VITO



Base per lavabo da mobile o d'appoggio, 2 cassetti
Furniture or countertop basin base, 2 drawers

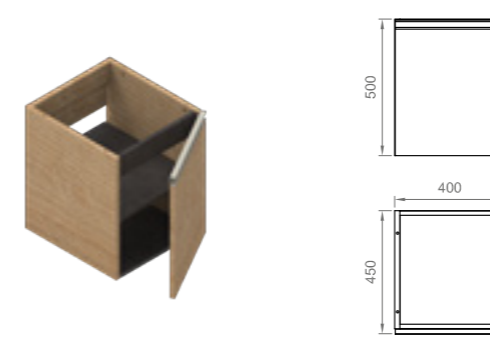
Dimensioni mm Dimension mm	Finitura Finishing	Codice Code	€
600x450x500	Bianco Opaco Matt White	BE VIT O CASS 6054	549,88
600x450x500	Rovere Oak	BE VIT R CASS 6054	400,40
800x450x500	Bianco Opaco Matt White	BE VIT O CASS 8054	604,66
800x450x500	Rovere Oak	BE VIT R CASS 8054	496,76
1000x450x500	Bianco Opaco Matt White	BE VIT O CASS 1054	664,40
1000x450x500	Rovere Oak	BE VIT R CASS 1054	530,60



Base con 2 vani a giorno
Base with two open compartments

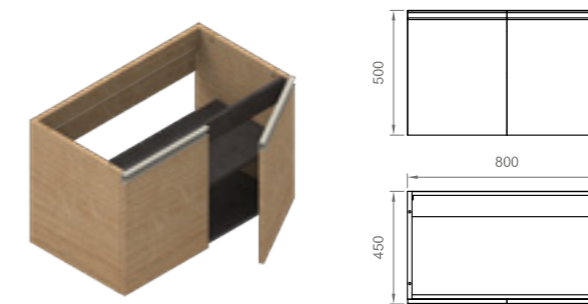
Dimensioni mm Dimension mm	Finitura Finishing	Codice Code	€
400x450x500	Bianco Opaco Matt White	BE VIT O VANO 4054	228,80
400x450x500	Rovere Oak	BE VIT R VANO 4054	174,83

VITO



Base con 1 anta reversibile
Base with reversible door

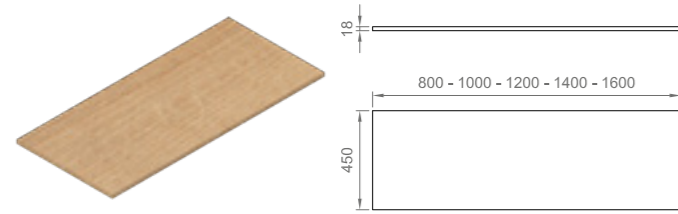
Dimensioni mm Dimension mm	Finitura Finishing	Codice Code	€
400x450x500	Bianco Opaco Matt White	BE VIT O BAAN 4054	298,40
400x450x500	Rovere Oak	BE VIT R BAAN 4054	197,60



Base per lavabo da mobile o d'appoggio, 2 ante
Furniture or countertop basin base, 2 doors

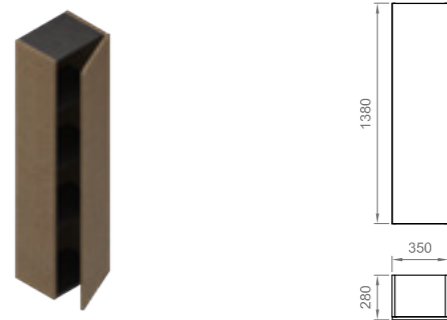
Dimensioni mm Dimension mm	Finitura Finishing	Codice Code	€
800x450x500	Bianco Opaco Matt White	BE VIT O BAAN 8054	400,03
800x450x500	Rovere Oak	BE VIT R BAAN 8054	296,40

VITO



Piano top per base con lavabo d'appoggio
Countertop for base with countertop basin

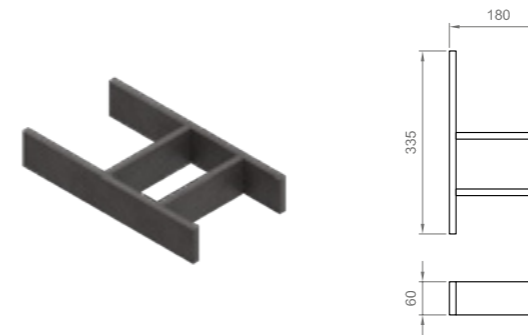
Dimensioni mm Dimension mm	Finitura Finishing	Codice Code	€
800x450x18	Bianco Opaco Matt White	BE VIT O TOPP 8012	125,54
800x450x18	Rovere Oak	BE VIT R TOPP 8012	83,20
1000x450x18	Bianco Opaco Matt White	BE VIT O TOPP 1012	129,79
1000x450x18	Rovere Oak	BE VIT R TOPP 1012	97,34
1200x450x18	Bianco Opaco Matt White	BE VIT O TOPP 1212	169,75
1200x450x18	Rovere Oak	BE VIT R TOPP 1212	119,60
1400x450x18	Bianco Opaco Matt White	BE VIT O TOPP 1412	239,20
1400x450x18	Rovere Oak	BE VIT R TOPP 1412	182,00
1600x450x18	Bianco Opaco Matt White	BE VIT O TOPP 1612	270,40
1600x450x18	Rovere Oak	BE VIT R TOPP 1612	208,00



Colonna con 1 anta reversibile
Tall cabinet with reversible door

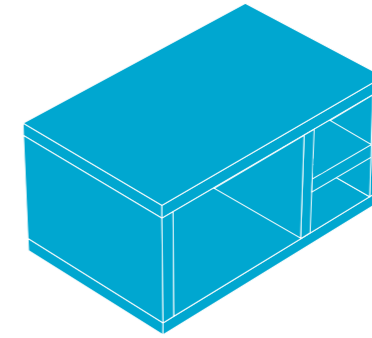
Dimensioni mm Dimension mm	Finitura Finishing	Codice Code	€
350x280x1380	Bianco Opaco Matt White	BE VIT O COLO 3513	494,52
350x280x1380	Rovere Oak	BE TEO R COLO 3513	383,76

VITO



Inserto divisorio per cassetto
Drawer divider insert

Dimensioni mm Dimension mm	Finitura Finishing	Codice Code	€
180x335x60	Grigio Antracite Antracite Grey	BE KIT L CASS	79,87



TEO

TEO

CARATTERISTICHE | TECHNICAL SPECS



Guide cassetto

Lo scorrimento su cuscinetti garantisce un comfort d'uso ottimale permettendo uno scorrimento ad alta precisione e un movimento leggero e armonioso.

Drawer guides

Drawers slide comfortably on ball-bearings, always opening and closing easily and perfectly.



Cassetto Soft-Close

I cassetti sono dotati di sistema Soft Close (chiusura ammortizzata) ad estrazione totale.

Soft-Close drawer

All the drawers are "Soft-Close" equipped and are fully extractable



Cassetto con sgancio rapido

Ogni cassetto è fornito di dispositivo di aggancio/sgancio rapido.

Quick release

All drawers have a quick release and coupling system.



Ante Soft Close

Le ante montano cerniere in metallo con Sistema Soft Close (chiusura ammortizzata) regolabili in altezza, larghezza e profondità.

Soft Close doors

All doors are mounted on metal hinges, with the Soft-Close system, and are adjustable (height/width/depth).



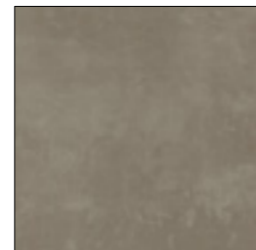
Maniglia metallica
Metallic handle

FINITURE | FINISHING



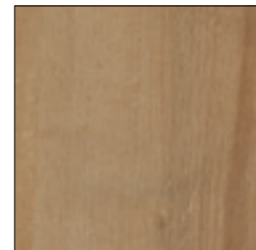
N

Grigio Nuvola | Cloud Grey



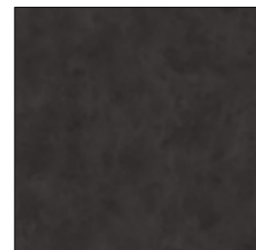
C

Grigio Cemento | Concrete Grey



R

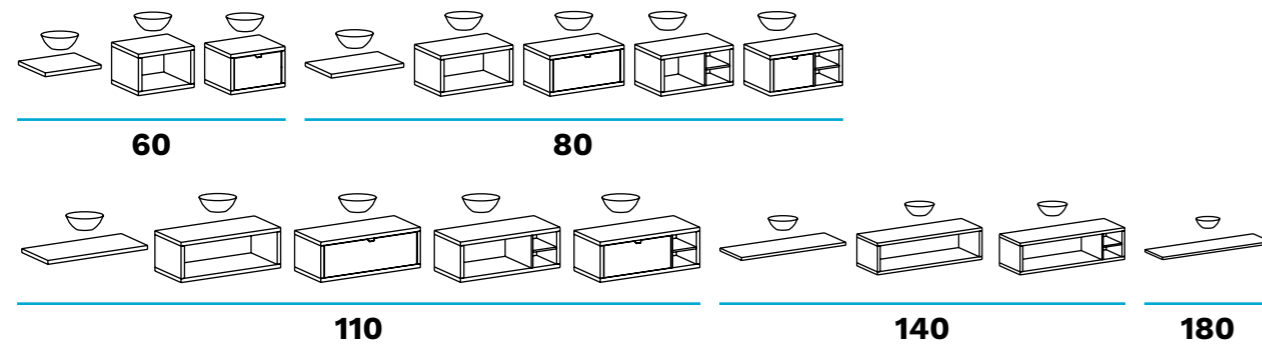
Rovere | Oak



A

Grigio Antracite | Anthracite Grey

TEO



MOBILI | FURNITURE

- Grigio nuvola | Cloud grey
- Grigio cemento | Concrete grey
- Rovere | Oak
- Grigio antracite | Anthracite grey

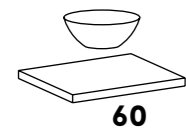
LAVABI | BASINS

- Bianco lucido | Glossy white
- Bianco opaco | Matt white

OPZIONI | OPTIONS

- Disponibile Destro
Right available

COMPOSIZIONI DA 60CM | 60CM CONFIGURATIONS



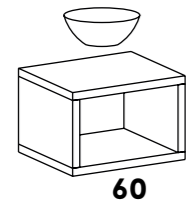
TOP | Countertop
BETEONTOPP6004
BETEOTOPP6004
BETEORTOPP6004

+

SUPPORTI TOP | Brackets
BETECSUPP

+

LAVABO | Basin
LAVABO D'APPOGGIO
Countertop basin
pag. 212



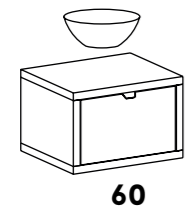
CONSOLLE | Console
BETEONCONS6040
BETECCONS6040
BETEORCONS6040

+

LAVABO | Basin
LAVABO D'APPOGGIO
Countertop basin
pag. 212

+

Disponibili gambe in finitura |
Legs available in Finishing
BETEO_GAMB



CONSOLLE | Console
BETEONCONS6040
BETECCONS6040
BETEORCONS6040

+

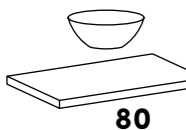
CASSETTO | Drawer
BETEONCASC6040
BETECCASC6040
BETEORCASC6040

+

LAVABO | Basin
LAVABO D'APPOGGIO
Countertop basin
pag. 212

Disponibili gambe in finitura |
Legs available in Finishing
BETEO_GAMB

COMPOSIZIONI DA 80CM | 80CM CONFIGURATIONS



TOP | Countertop
BETEONTOPP8004
BETEOTOPP8004
BETEORTOPP8004

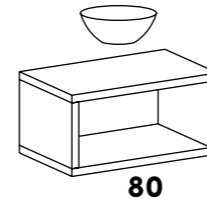
+

SUPPORTI TOP | Brackets
BETECSUPP

+

LAVABO | Basin
LAVABO D'APPOGGIO
Countertop basin
pag. 212

TEO



CONSOLLE | Console

BETEONCONS8040
BETECCONS8040
BETEORCONS8040

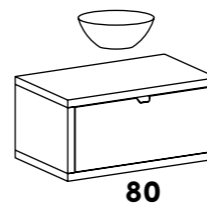
+

LAVABO | Basin

LAVABO D'APPOGGIO
Countertop basin
pag. 261

+

Disponibili gambe in finitura |
Legs available in Finishing
BETEO_GAMB



CONSOLLE | Console

BETEONCONS8040
BETECCONS8040
BETEORCONS8040

+

CASSETTO | Drawer

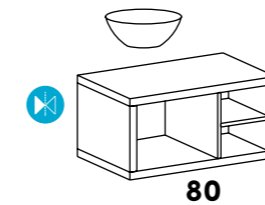
BETEONCASC8040
BETECCASC8040
BETEORCASC8040

+

LAVABO | Basin

LAVABO D'APPOGGIO
Countertop basin
pag. 212

Disponibili gambe in finitura |
Legs available in Finishing
BETEO_GAMB



CONSOLLE | Console

BETEONCONS8040
BETECCONS8040
BETEORCONS8040

+

INSERTO | Divider insert

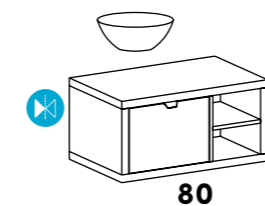
BETEONINSE
BETECCINSE
BETEORINSE
BETEOAINSE

+

LAVABO | Basin

LAVABO D'APPOGGIO
Countertop basin
pag. 212

Disponibili gambe in finitura |
Legs available in Finishing
BETEO_GAMB



CONSOLLE | Console

BETEONCONS8040
BETECCONS8040
BETEORCONS8040

+

CASSETTO | Drawer

BETEONCASC4440
BETECCASC4440
BETEORCASC4440

+

INSERTO | Divider insert

BETEONINSE
BETECCINSE
BETEORINSE
BETEOAINSE

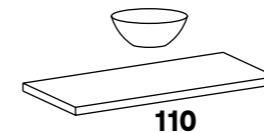
+

Disponibili gambe in finitura |
Legs available in Finishing
BETEO_GAMB

LAVABO | Basin

LAVABO D'APPOGGIO
Countertop basin
pag. 261

COMPOSIZIONI DA 110CM | 110CM CONFIGURATIONS



TOP | Countertop

BETEONTOPP1104
BETEOTOPP1104
BETEORTOPP1104

+

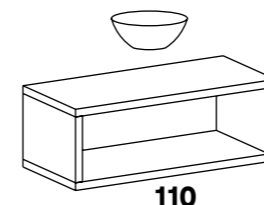
SUPPORTI TOP | Brackets

BETECSUPP

+

LAVABO | Basin

LAVABO D'APPOGGIO
Countertop basin
pag. 212



CONSOLLE | Console

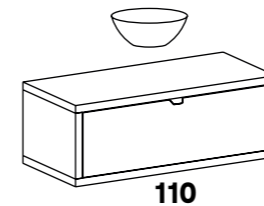
BETEONCONS1140
BETECCONS1140
BETEORCONS1140

+

LAVABO | Basin

LAVABO D'APPOGGIO
Countertop basin
pag. 212

Disponibili gambe in finitura |
Legs available in Finishing
BETEO_GAMB



CONSOLLE | Console

BETEONCONS1140
BETECCONS1140
BETEORCONS1140

+

CASSETTO | Drawer

BETEONCASC1140
BETECCASC1140
BETEORCASC1140

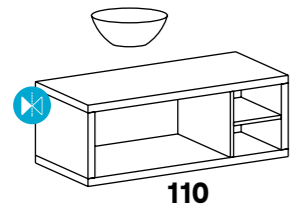
+

LAVABO | Basin

LAVABO D'APPOGGIO
Countertop basin
pag. 212

Disponibili gambe in finitura |
Legs available in Finishing
BETEO_GAMB

TEO



CONSOLLE | Console

BETEONCONS1140
BETECCONS1140
BETEORCONS1140

+

INSERTO | Divider insert

BETEONINSE
BETEOCINSE
BETEORINSE
BETEOAINSE

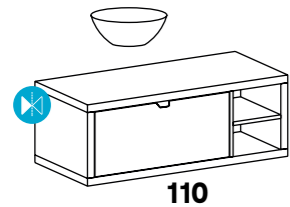
+

LAVABO | Basin

LAVABO D'APPOGGIO
Countertop basin
pag. 212

Disponibili gambe in finitura | Legs available in Finishing
BETEO_GAMB

110



CONSOLLE | Console

BETEONCONS1140
BETECCONS1140
BETEORCONS1140

+

CASSETTO | Drawer

BETEONCASC7440
BETECCASC7440
BETEORCASC7440

+

INSERTO | Divider insert

BETEONINSE
BETEOCINSE
BETEORINSE
BETEOAINSE

+

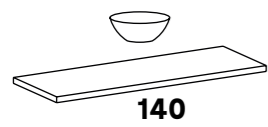
Disponibili gambe in finitura | Legs available in Finishing
BETEO_GAMB

LAVABO | Basin

LAVABO D'APPOGGIO
Countertop basin
pag. 212

110

COMPOSIZIONI DA 140CM | 140CM CONFIGURATIONS



TOP | Countertop

BETEONTOPP1404
BETEOTOPP1404
BETEORTOPP1404

+

SUPPORTI TOP | Brackets

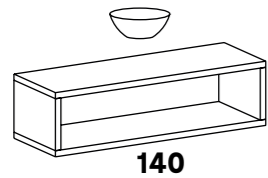
BETECSUPP

+

LAVABO | Basin

LAVABO D'APPOGGIO
Countertop basin
pag. 212

140



CONSOLLE | Console

BETEONCONS1440
BETECCONS1440
BETEORCONS1440

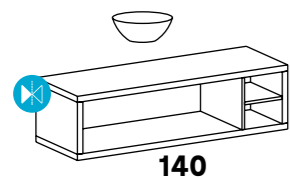
+

LAVABO | Basin

LAVABO D'APPOGGIO
da pagina 212

Disponibili gambe in finitura | Legs available in Finishing
BETEO_GAMB

140



CONSOLLE | Console

BETEONCONS1440
BETECCONS1440
BETEORCONS1440

+

INSERTO | Divider insert

BETEONINSE
BETEOCINSE
BETEORINSE
BETEOAINSE

+

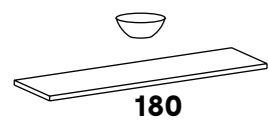
LAVABO | Basin

LAVABO D'APPOGGIO
Countertop basin
pag. 212

Disponibili gambe in finitura | Legs available in Finishing
BETEO_GAMB

140

COMPOSIZIONI DA 180CM | 180CM CONFIGURATIONS



TOP | Countertop

BETEONTOPP1804
BETEOTOPP1804
BETEORTOPP1804

+

SUPPORTI TOP | Brackets

BETECSUPP

+

LAVABO | Basin

LAVABO D'APPOGGIO
Countertop basin
pag. 212

180

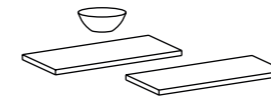
TEO

SOLUZIONI SUGGERITE DI PIANO CON LAVABO D'APPOGGIO (MISURE VARIABILI)
SUGGESTED SOLUTIONS WITH COUNTERTOP AND COUNTERTOP BASIN (VARIABLE MEASURES)



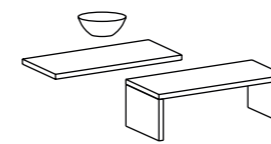
TOP (+ LAVABO)

Countertop (+Basin)



TOP (+ LAVABO) + TOP

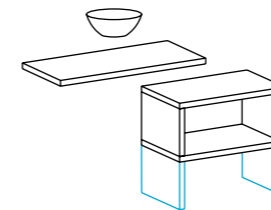
Countertop (+Basin) + Countertop



TOP (+ LAVABO) + TOP + GAMBE

Countertop (+Basin) + Countertop + Legs

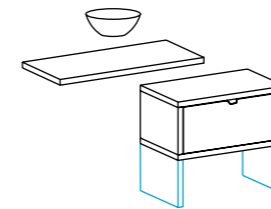
Disponibili gambe in finitura
Legs available in Finishing



TOP (+ LAVABO) + CONSOLLE

Countertop (+Basin) + Console

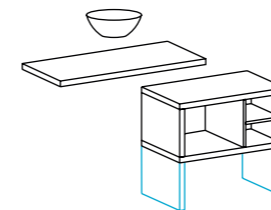
Disponibili gambe in finitura
Legs available in Finishing



TOP (+ LAVABO) + CONSOLLE + CASSETTO

Countertop (+Basin) + Console + Drawer

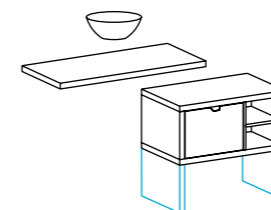
Disponibili gambe in finitura
Legs available in Finishing



TOP (+ LAVABO) + CONSOLLE + INSERTO

Countertop (+Basin) + Console + Divider Insert

Disponibili gambe in finitura
Legs available in Finishing

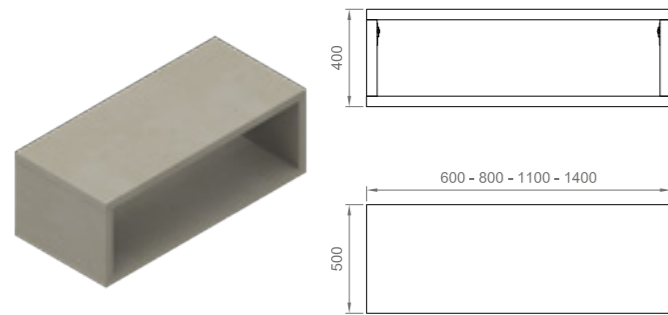


TOP (+ LAVABO) + CONSOLLE + INSERTO + CASSETTO

Countertop (+Basin) + Console + Divider Insert + Drawer

Disponibili gambe in finitura
Legs available in Finishing

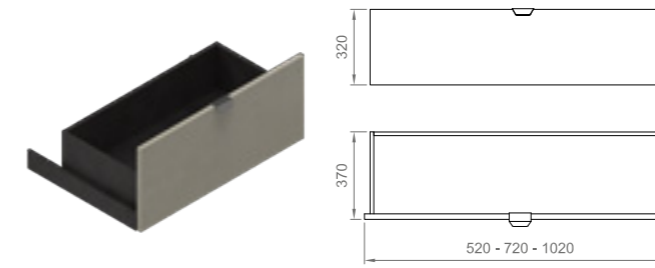
TEO



Consolle sospesa
Floating console

Dimensioni mm Dimension mm	Finitura Finishing	Codice Code	€
600x500x400	Grigio Nuvola Cloud Grey	BE TEO N CONS 6040	336,96
600x500x400	Grigio Cemento Concrete Grey	BE TEO C CONS 6040	336,96
600x500x400	Rovere Oak	BE TEO R CONS 6040	336,96
800x500x400	Grigio Nuvola Cloud Grey	BE TEO N CONS 8040	425,36
800x500x400	Grigio Cemento Concrete Grey	BE TEO C CONS 8040	425,36
800x500x400	Rovere Oak	BE TEO R CONS 8040	425,36
1100x500x400	Grigio Nuvola Cloud Grey	BE TEO N CONS 1140	448,24
1100x500x400	Grigio Cemento Concrete Grey	BE TEO C CONS 1140	448,24
1100x500x400	Rovere Oak	BE TEO R CONS 1140	448,24
1400x500x400	Grigio Nuvola Cloud Grey	BE TEO N CONS 1440	712,40
1400x500x400	Grigio Cemento Concrete Grey	BE TEO C CONS 1440	712,40
1400x500x400	Rovere Oak	BE TEO R CONS 1440	712,40

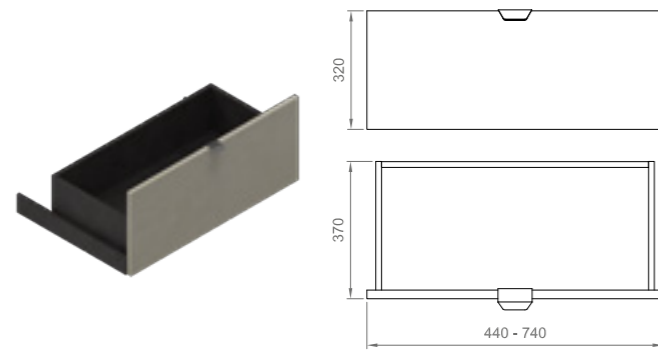
TEO



Cassetto per consolle
Console drawer

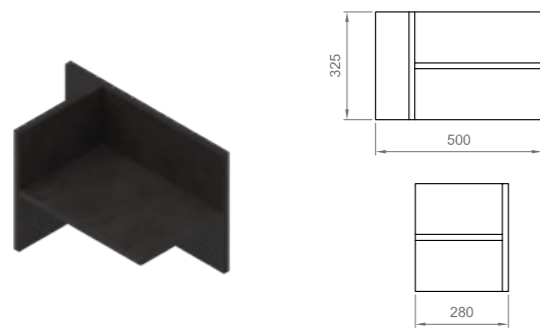
Dimensioni mm Dimension mm	Finitura Finishing	Codice Code	€
520x370x320	Grigio Nuvola Cloud Grey	BE TEO N CASC 6040	182,00
520x370x320	Grigio Cemento Concrete Grey	BE TEO C CASC 6040	182,00
520x370x320	Rovere Oak	BE TEO R CASC 6040	182,00
720x370x320	Grigio Nuvola Cloud Grey	BE TEO N CASC 8040	213,20
720x370x320	Grigio Cemento Concrete Grey	BE TEO C CASC 8040	213,20
720x370x320	Rovere Oak	BE TEO R CASC 8040	213,20
1020x370x320	Grigio Nuvola Cloud Grey	BE TEO N CASC 1140	244,40
1020x370x320	Grigio Cemento Concrete Grey	BE TEO C CASC 1140	244,40
1020x370x320	Rovere Oak	BE TEO R CASC 1140	244,40

TEO



Cassetto per consolle, compatibile con inserto per consolle
Console drawer, compatible with console divider insert

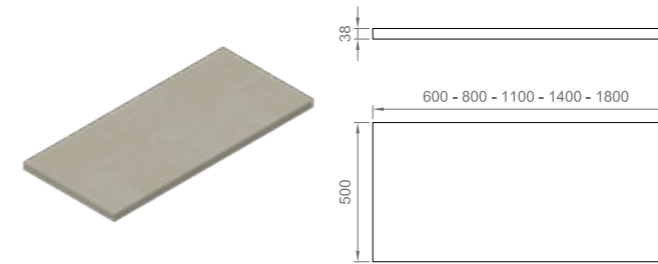
Dimensioni mm Dimension mm	Finitura Finishing	Codice Code	€
440x370x320	Grigio Nuvola Cloud Grey	BE TEO N CASC 4440	171,60
440x370x320	Grigio Cemento Concrete Grey	BE TEO C CASC 4440	171,60
440x370x320	Rovere Oak	BE TEO R CASC 4440	171,60
740x370x320	Grigio Nuvola Cloud Grey	BE TEO N CASC 7440	208,00
740x370x320	Grigio Cemento Concrete Grey	BE TEO C CASC 7440	208,00
740x370x320	Rovere Oak	BE TEO R CASC 7440	208,00



Inserto divisorio per consolle
Console divider insert

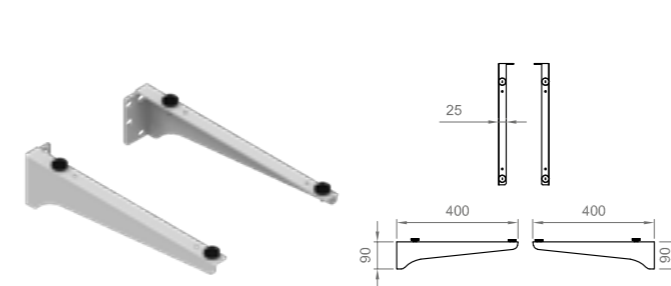
Dimensioni mm Dimension mm	Finitura Finishing	Codice Code	€
280x500x325	Grigio Nuvola Cloud Grey	BE TEO N INSE	88,40
280x500x325	Grigio Cemento Concrete Grey	BE TEO C INSE	88,40
280x500x325	Rovere Oak	BE TEO R INSE	88,40
280x500x325	Grigio Antracite Antracite Grey	BE TEO A INSE	88,40

TEO



Piano sospeso (staffe NON incluse)
Floating countertop (brackets NOT included)

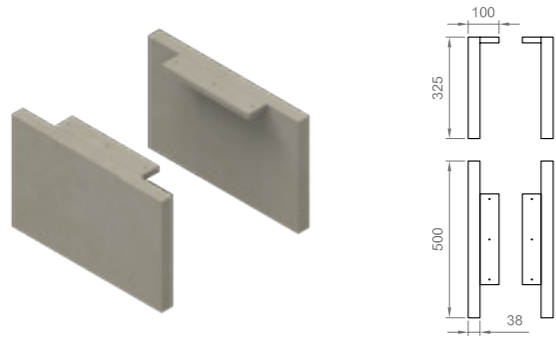
Dimensioni mm Dimension mm	Finitura Finishing	Codice Code	€
600x500x38	Grigio Nuvola Cloud Grey	BE TEO N TOPP 6004	102,96
600x500x38	Grigio Cemento Concrete Grey	BE TEO C TOPP 6004	102,96
600x500x38	Rovere Oak	BE TEO R TOPP 6004	102,96
800x500x38	Grigio Nuvola Cloud Grey	BE TEO N TOPP 8004	139,36
800x500x38	Grigio Cemento Concrete Grey	BE TEO C TOPP 8004	139,36
800x500x38	Rovere Oak	BE TEO R TOPP 8004	139,36
1100x500x38	Grigio Nuvola Cloud Grey	BE TEO N TOPP 1104	165,36
1100x500x38	Grigio Cemento Concrete Grey	BE TEO C TOPP 1104	165,36
1100x500x38	Rovere Oak	BE TEO R TOPP 1104	165,36
1400x500x38	Grigio Nuvola Cloud Grey	BE TEO N TOPP 1404	187,20
1400x500x38	Grigio Cemento Concrete Grey	BE TEO C TOPP 1404	187,20
1400x500x38	Rovere Oak	BE TEO R TOPP 1404	187,20
1800x500x38	Grigio Nuvola Cloud Grey	BE TEO N TOPP 1804	317,20
1800x500x38	Grigio Cemento Concrete Grey	BE TEO C TOPP 1804	317,20
1800x500x38	Rovere Oak	BE TEO R TOPP 1804	317,20



Coppia staffe regolabili L 400 mm per piani sospesi
Pair of 400 mm adjustable brackets for floating Countertops

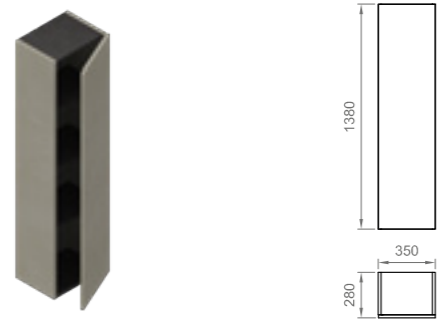
Codice Code	€
BE TEO C SUPP	110,98

TEO



Coppia di gambe per consolle o per piano
sospeso
Pair of legs for console or floating countertop

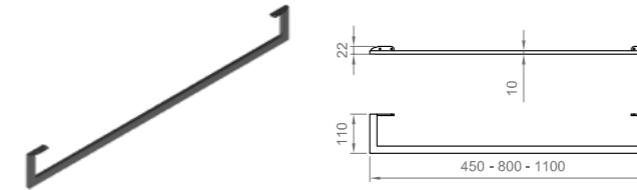
Dimensioni mm Dimension mm	Finitura Finishing	Codice Code	€
H. 325	Grigio Nuvola Cloud Grey	BE TEO N GAMB	176,80
H. 325	Grigio Cemento Concrete Grey	BE TEO C GAMB	176,80
H. 325	Rovere Oak	BE TEO R GAMB	176,80



Colonna 1 anta reversibile
Tall cabinet with a reversible door

Dimensioni mm Dimension mm	Finitura Finishing	Codice Code	€
350x280x1380	Grigio Nuvola Cloud Grey	BE TEO N COLO 3513	383,76
350x280x1380	Grigio Cemento Concrete Grey	BE TEO C COLO 3513	383,76
350x280x1380	Rovere Oak	BE TEO R COLO 3513	383,76

TEO



Porta asciugamani in acciaio
Steel towel rail

Lunghezza mm Lenght mm	Finitura Finishing	Codice Code	€
450	Grigio Antracite Antracite Grey	BE TEO A PASC 4511	174,91
800	Grigio Antracite Antracite Grey	BE TEO A PASC 8011	180,76
1100	Grigio Antracite Antracite Grey	BE TEO A PASC 1111	197,60

SPECCHI
MIRRORS

RETTANGOLARI
RECTANGULAR

| 276

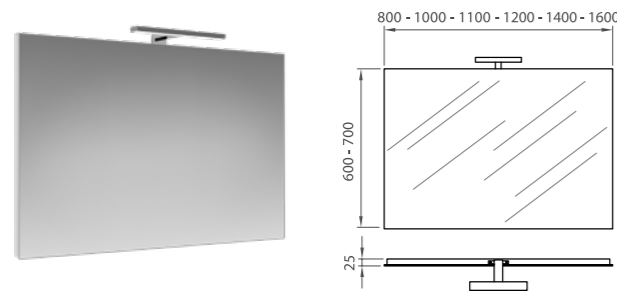
TONDI
ROUND

| 277



← **TORNA ALL'INDICE**
BACK TO INDEX

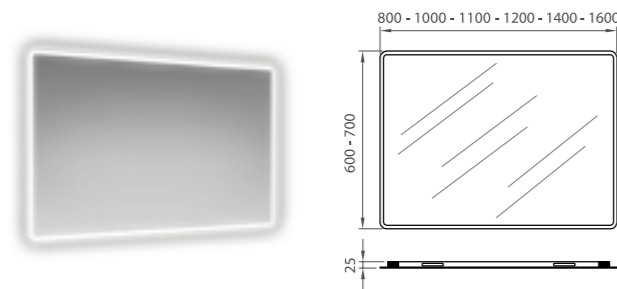
RETTANGOLARI | RECTANGULAR



Specchio rettangolare con lampada a led reversibile
Rectangular mirror with LED light (reversible)



Misure mm Measure mm	Codice Code	€
600x800	BE SPE L RETT 6080	142,43
700x1000	BE SPE L RETT 7010	168,48
700x1100	BE SPE L RETT 7011	189,59
700x1200	BE SPE L RETT 7012	185,96
700x1400	BE SPE L RETT 7014	248,00
700x1600	BE SPE L RETT 7016	256,26

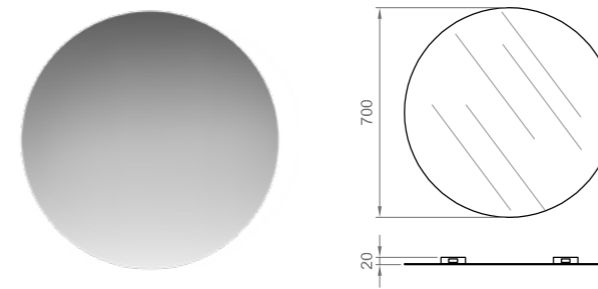


Specchio rettangolare retroilluminato
Backlit rectangular mirror



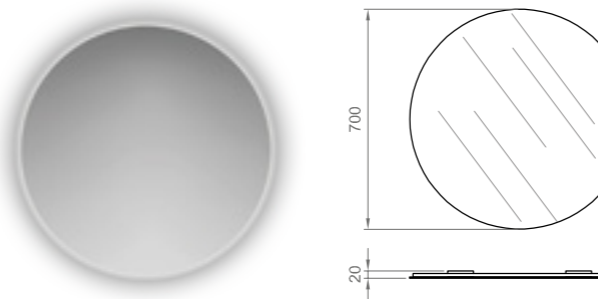
Misure mm Measure mm	Codice Code	€
600x800	BE SPE R RETT 6080	301,76
700x1000	BE SPE R RETT 7010	333,16
700x1100	BE SPE R RETT 7011	338,27
700x1200	BE SPE R RETT 7012	380,35
700x1400	BE SPE R RETT 7014	447,20
700x1600	BE SPE R RETT 7016	476,27

TONDI | ROUND



Specchio tondo
Round mirror

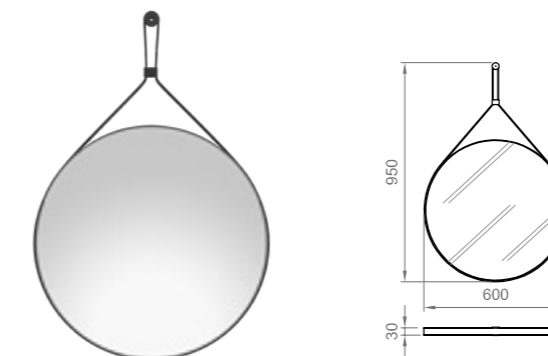
Misure mm Measure mm	Codice Code	€
Ø 700	BE SPE T TOND 0070	122,62



Specchio tondo retroilluminato
Backlit round mirror



Misure mm Measure mm	Codice Code	€
Ø 700	BE SPE R TOND 0070	288,71



Specchio tondo con cornice in eco-pelle
Round mirror with eco-leather frame

Misure mm Measure mm	Codice Code	€
Ø 600	BE SPE P TOND 0060	221,79

VASCHE
BATHTUBS

RODI

281



RODI



RADIATORI
MULTICOLONNA
MULTICOLUMN RADIATOR

COMBY

BIANCO
WHITE

290

COLOR

300

LOFT

306



CARATTERISTICHE | TECHNICAL SPECS

Teste in acciaio, spessore 1,5 mm;
 Tubi in acciaio, diametro 25 mm;
 Pressione massima di esercizio: 6 bar;
 Temperatura massima d'esercizio: 95°.

Steel heads, 1.5 mm thick;
 Steel pipes, 25 mm diameter;
 Maximum working pressure: 6 bar;
 Maximum operating temperature: 95°.

VERNICIATURA | PAINTING

Verniciatura ad elementi singoli a polveri epossidiche.

Single element painting with epoxy powders.

CERTIFICAZIONI | CERTIFICATION



CONFEZIONAMENTO | PACKAGING

Imballati in scatola di cartone
 Packed in a cardboard box

FINITURE | FINISHING



9010
 Bianco | White
 Finitura: lucido - liscio
 Finishing: glossy - smooth



9011
 Bianco | White
 Finitura: opaco - liscio
 Finishing: matt - smooth



4900
 Nero | Black
 Finitura: opaco - goffrato
 Finishing: matt - embossed



0345
 Grigio titanio | Titanium grey
 Finitura: goffrato
 Finishing: embossed



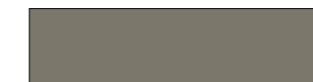
0215
 Grigio profondo | Deep grey
 Finitura: opaco - liscio
 Finishing: matt - smooth



0355
 Grigio ferro | Iron grey
 Finitura: goffrato
 Finishing: embossed



0356
 Sabbia | Sand
 Finitura: goffrato
 Finishing: embossed



0358
 Fango | Mud
 Finitura: goffrato
 Finishing: embossed



0861
 Marrone bruciato | Burnt brown
 Finitura: opaco - liscio
 Finishing: matt - smooth

NUMERO MASSIMO DI ELEMENTI PER BATTERIA
 MAXIMUM NUMBER OF ELEMENTS PER BATTERY

Modelli di altezza fino a 1000mm: massimo 30 elementi
 Modelli di altezza superiore a 1000mm: massimo 15 elementi

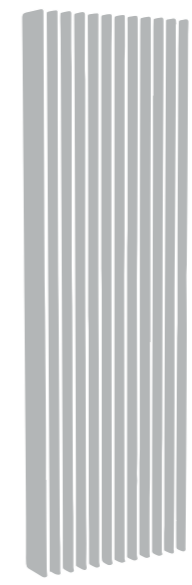
≤ 1000mm height models: max 30 elements
 > 1000mm height models: max 15 elements

COMPONIBILITÀ | MODULARITY

Radiatore tubolare in acciaio "scomponibile";
 Ogni elemento è singolarmente filettato.
 La tenuta idraulica è testata due volte: sul singolo elemento e sulla batteria completa, come previsto dalle Norme EN442.

Comby is a tubular radiator in "decomposable" steel; each element is individually threaded.
 The hydraulic seal is tested twice: on the single element and on the complete coil, as required by the EN442 Standards.





COMBY

 [TORNA ALL'INDICE](#)
[BACK TO INDEX](#)

COMBY BIANCO | WHITE COMBY



○ Bianco RAL9010 | White RAL9010
Finitura: lucido | Glossy Finishing

TIPOLOGIA DI FORNITURA | SUPPLY MODE

S (Es. ATCOM **S** 9010 02 01 0300)

Fornitura senza tappi e riduzioni (da acquistare separatamente)

Supply with no caps and reductions (sold separately)

W (Es. ATCOM **W** 9010 02 01 0300)

Fornitura e montaggio in fabbrica di 4 riduzioni da 1/2" con valvolina di sfiato e tappino forniti a parte, per ogni batteria +7%.
Prevedere il diaframma (cod. SKMVDIA) nel caso di altezze maggiori di 900 mm con montaggio basso/basso.

Factory supply and assembly of 4 reductions 1/2" with vent valve and cap supplied separately, for each battery +7%.
A diaphragm (code SKMVDIA) is to be added in case of heights greater than 900 mm with low/low mounting.

G (Es. ATCOM **G** 9010 02 01 0300)

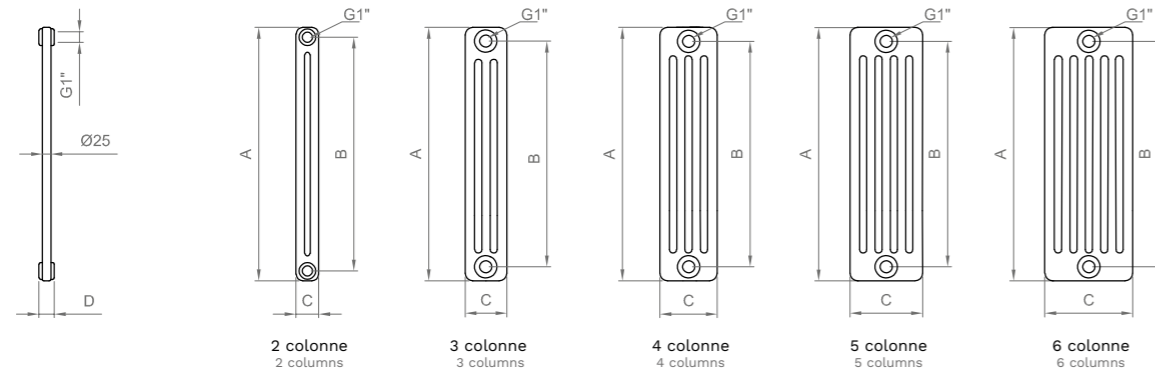
Batteria con attacchi dal basso con interasse 50 mm (variabile su richiesta) compresa di diaframma già montato, montaggio di 4 riduzioni da 1/2", valvolina di sfiato e 3 tappini forniti a parte. Per ogni batteria +97,15 €

Battery with connections from below with 50 mm center distance (variable on request) including diaphragm already mounted, assembly of 4 reductions 1/2", vent valve and 3 caps sold separately. For each battery +93,42€

ESEMPIO CREAZIONE CODICE BATTERIA
EXAMPLE BATTERY CODE CREATION

AT COM **S** 9010 **03** **09** **0900**

Fornitura Supply	Bianco RAL9010 White RAL9010	3 colonne 3 columns	9 elementi 9 elements	Altezza: 900mm Height: 900mm
---------------------	---------------------------------------	------------------------	--------------------------	---------------------------------------



COMBY BIANCO | WHITE COMBY

2 colonne | 2 columns

Codice Code	Tipo Type	A mm	B mm	C mm	D mm	KG	LT	WΔT 30°C	WΔT 40°C	WΔT 50°C	€
		Altezza Height	Interasse Centre to centre distance	Profondità Depth	Larghezza Width						
ATCOM S 9010 02 01 0300	2/300	292	235	66	45	0,55	0,33	12	18	24	19,22
ATCOM S 9010 02 01 0400	2/400	392	335	66	45	0,69	0,41	16	23	30	21,78
ATCOM S 9010 02 01 0500	2/500	492	435	66	45	0,83	0,49	20	28	37	18,92
ATCOM S 9010 02 01 0560	2/560	557	500	66	45	0,91	0,54	22	31	41	19,83
ATCOM S 9010 02 01 0600	2/600	592	535	66	45	0,96	0,57	23	33	44	20,24
ATCOM S 9010 02 01 0660	2/660	657	600	66	45	1,04	0,62	25	36	48	20,36
ATCOM S 9010 02 01 0680	2/680	680	623	66	45	1,07	0,64	26	37	50	20,36
ATCOM S 9010 02 01 0750	2/750	742	685	66	45	1,17	0,69	28	41	54	21,28
ATCOM S 9010 02 01 0860	2/860	857	800	66	45	1,29	0,78	32	46	61	22,18
ATCOM S 9010 02 01 0870	2/870	870	813	66	45	1,31	0,79	33	47	62	22,18
ATCOM S 9010 02 01 0900	2/900	892	835	66	45	1,35	0,81	33	48	64	23,02
ATCOM S 9010 02 01 1000	2/1000	992	935	66	45	1,49	0,88	37	53	70	24,44
ATCOM S 9010 02 01 1500	2/1500	1492	1435	66	45	2,11	1,28	55	78	104	33,85
ATCOM S 9010 02 01 1800	2/1800	1792	1735	66	45	2,51	1,51	65	94	124	36,81
ATCOM S 9010 02 01 2000	2/2000	1992	1935	66	45	2,79	1,67	72	104	139	40,81
ATCOM S 9010 02 01 2200	2/2200	2192	2135	66	45	3,1	1,82	79	115	153	51,32
ATCOM S 9010 02 01 2500	2/2500	2492	2435	66	45	3,49	2,03	90	131	176	53,89

3 colonne | 3 columns

Codice Code	Tipo Type	A mm	B mm	C mm	D mm	KG	LT	WΔT 30°C	WΔT 40°C	WΔT 50°C	€
		Altezza Height	Interasse Centre to centre distance	Profondità Depth	Larghezza Width						
ATCOM S 9010 03 01 0300	3/300	292	235	107	45	0,77	0,5	17	25	33	23,32
ATCOM S 9010 03 01 0400	3/400	392	335	107	45	0,99	0,62	22	32	43	23,63
ATCOM S 9010 03 01 0500	3/500	492	435	107	45	1,2	0,74	27	39	52	23,63
ATCOM S 9010 03 01 0560	3/560	557	500	107	45	1,35	0,82	30	44	58	22,64
ATCOM S 9010 03 01 0600	3/600	592	535	107	45	1,42	0,86	32	46	62	19,94
ATCOM S 9010 03 01 0630	3/630	629	572	107	45	1,49	0,9	33	48	65	24,44
ATCOM S 9010 03 01 0660	3/660	657	600	107	45	1,56	0,94	35	51	68	19,94
ATCOM S 9010 03 01 0680	3/680	680	623	107	45	1,6	0,97	36	52	70	20,97
ATCOM S 9010 03 01 0750	3/750	742	685	107	45	1,72	1,03	39	56	75	21,99
ATCOM S 9010 03 01 0760	3/760	757	700	107	45	1,75	1,03	40	57	76	24,03
ATCOM S 9010 03 01 0860	3/860	857	800	107	45	1,95	1,15	44	64	86	24,03
ATCOM S 9010 03 01 0870	3/870	870	813	107	45	1,97	1,17	45	65	87	24,03
ATCOM S 9010 03 01 0900	3/900	892	835	107	45	2,03	1,2	46	67	89	25,06
ATCOM S 9010 03 01 1000	3/1000	992	935	107	45	2,24	1,28	50	73	98	27,61
ATCOM S 9010 03 01 1500	3/1500	1492	1435	107	45	3,3	1,88	72	106	142	44,99
ATCOM S 9010 03 01 1800	3/1800	1792	1735	107	45	3,92	2,31	85	125	168	52,16
ATCOM S 9010 03 01 1860	3/1860	1857	1800	107	45	4,10	2,35	88	129	174	54,25
ATCOM S 9010 03 01 2000	3/2000	1992	1935	107	45	4,35	2,55	94	137	185	56,23
ATCOM S 9010 03 01 2060	3/2060	2057	2000	107	45	4,50	2,60	97	141	189	58,80
ATCOM S 9010 03 01 2200	3/2200	2192	2135	107	45	4,9	2,79	103	151	203	76,69
ATCOM S 9010 03 01 2500	3/2500	2492	2435	107	45	5,4	3,14	115	169	228	76,69

COMBY BIANCO | WHITE COMBY

4 colonne | 4 columns

Codice Code	Tipo Type	A mm	B mm	C mm	D mm	KG	LT	WΔT 30°C	WΔT 40°C	WΔT 50°C	€
		Altezza Height	Interasse Centre to centre distance	Profondità Depth	Larghezza Width						
ATCOM S 9010 04 01 0300	4/300	292	235	148	45	1,09	0,66	23	33	44	26,14
ATCOM S 9010 04 01 0400	4/400	392	335	148	45	1,37	0,82	29	42	56	27,40
ATCOM S 9010 04 01 0500	4/500	492	435	148	45	1,65	0,98	36	51	68	25,56
ATCOM S 9010 04 01 0560	4/560	557	500	148	45	1,81	1,08	40	57	76	26,32
ATCOM S 9010 04 01 0600	4/600	592	535	148	45	1,93	1,14	42	60	80	23,51
ATCOM S 9010 04 01 0630	4/630	629	572	148	45	2,01	1,19	44	63	84	27,98
ATCOM S 9010 04 01 0660	4/660	657	600	148	45	2,09	1,24	46	66	88	24,54
ATCOM S 9010 04 01 0680	4/680	680	623	148	45	2,15	1,27	47	68	91	24,54
ATCOM S 9010 04 01 0750	4/750	742	685	148	45	2,31	1,38	51	74	99	26,59
ATCOM S 9010 04 01 0760	4/760	757	700	148	45	2,37	1,40	52	75	100	28,13
ATCOM S 9010 04 01 0860	4/860	857	800	148	45	2,56	1,56	58	84	113	28,13
ATCOM S 9010 04 01 0870	4/870	870	813	148	45	2,59	1,58	58	85	114	28,62
ATCOM S 9010 04 01 0900	4/900	892	835	148	45	2,67	1,62	60	87	117	30,17
ATCOM S 9010 04 01 1000	4/1000	992	935	148	45	2,95	1,76	66	96	129	32,72
ATCOM S 9010 04 01 1500	4/1500	1492	1435	148	45	4,35	2,56	92	136	184	52,16
ATCOM S 9010 04 01 1800	4/1800	1792	1735	148	45	5,15	3,02	108	160	217	60,33
ATCOM S 9010 04 01 2000	4/2000	1992	1935	148	45	5,71	3,34	119	176	238	67,49
ATCOM S 9010 04 01 2200	4/2200	2192	2135	148	45	6,2	3,66	131	192	258	89,98
ATCOM S 9010 04 01 2500	4/2500	2492	2435	148	45	7,11	4,13	148	216	289	89,98

5 colonne | 5 columns

Codice Code	Tipo Type	A mm	B mm	C mm	D mm	KG	LT	WΔT 30°C	WΔT 40°C	WΔT 50°C	€
		Altezza Height	Interasse Centre to centre distance	Profondità Depth	Larghezza Width						
ATCOM S 9010 05 01 0300	5/300	292	235	189	45	1,27	0,77	28	41	54	50,90
ATCOM S 9010 05 01 0400	5/400	392	335	189	45	1,62	0,97	36	52	69	45,10
ATCOM S 9010 05 01 0500	5/500	492	435	189	45	1,99	1,17	44	63	85	43,38
ATCOM S 9010 05 01 0560	5/560	557	500	189	45	2,22	1,3	49	71	94	43,97
ATCOM S 9010 05 01 0600	5/600	592	535	189	45	2,39	1,37	51	74	99	46,01
ATCOM S 9010 05 01 0660	5/660	657	600	189	45	2,61	1,5	56	81	108	48,58
ATCOM S 9010 05 01 0680	5/680	680	623	189	45	2,68	1,55	57	83	112	48,58
ATCOM S 9010 05 01 0750	5/750	742	685	189	45	2,92	1,67	62	90	121	50,10
ATCOM S 9010 05 01 0860	5/860	857	800	189	45	3,23	1,9	69	102	137	53,18
ATCOM S 9010 05 01 0870	5/870	870	813	189	45	3,27	1,9	70	103	138	54,19
ATCOM S 9010 05 01 0900	5/900	892	835	189	45	3,39	1,97	72	105	141	55,21
ATCOM S 9010 05 01 1000	5/1000	992	935	189	45	3,47	2,16	78	115	155	57,26
ATCOM S 9010 05 01 1500	5/1500	1492	1435	189	45	5,44	3,17	111	164	221	77,71
ATCOM S 9010 05 01 1800	5/1800	1792	1735	189	45	6,54	3,69	130	192	259	88,95
ATCOM S 9010 05 01 2000	5/2000	1992	1935	189	45	7,24	4,09	143	211	285	98,16
ATCOM S 9010 05 01 2200	5/2200	2192	2135	189	45	7,99	4,49	156	230	310	117,58
ATCOM S 9010 05 01 2500	5/2500	2492	2435	189	45	8,99	5,11	175	257	346	117,58

COMBY BIANCO | WHITE COMBY

6 colonne | 6 columns

Codice Code	Tipo Type	A mm	B mm	C mm	D mm	KG	LT	WΔT 30°C	WΔT 40°C	WΔT 50°C	€
		Altezza Height	Interasse Centre to centre distance	Profondità Depth	Larghezza Width						
ATCOM S 9010 06 01 0300	6/300	292	235	230	45	1,5	0,95	32	47	63	53,18
ATCOM S 9010 06 01 0400	6/400	392	335	230	45	2	1,19	42	62	83	48,35
ATCOM S 9010 06 01 0500	6/500	492	435	230	45	2,4	1,43	52	76	102	48,06
ATCOM S 9010 06 01 0560	6/560	557	500	230	45	2,6	1,59	58	85	114	50,10
ATCOM S 9010 06 01 0600	6/600	592	535	230	45	2,84	1,67	61	89	120	52,16
ATCOM S 9010 06 01 0660	6/660	657	600	230	45	3,14	1,83	67	98	132	53,18
ATCOM S 9010 06 01 0680	6/680	680	623	230	45	3,18	2,28	69	101	136	53,18
ATCOM S 9010 06 01 0750	6/750	742	685	230	45	3,44	2,03	74	102	147	55,21
ATCOM S 9010 06 01 0860	6/860	857	800	230	45	3,92	2,31	84	124	167	58,28
ATCOM S 9010 06 01 0870	6/870	870	813	230	45	3,96	2,74	85	125	169	58,28
ATCOM S 9010 06 01 0900	6/900	892	835	230	45	4,06	2,39	87	128	173	59,31
ATCOM S 9010 06 01 1000	6/1000	992	935	230	45	4,48	2,63	95	140	190	63,39
ATCOM S 9010 06 01 1500	6/1500	1492	1435	230	45	6,58	3,83	135	199	269	92,03
ATCOM S 9010 06 01 1800	6/1800	1792	1735	230	45	7,84	4,45	157	231	313	111,45
ATCOM S 9010 06 01 2000	6/2000	1992	1935	230	45	8,76	5,03	168	250	341	120,66
ATCOM S 9010 06 01 2200	6/2200	2192	2135	230	45	9,7	6,05	182	272	371	146,21
ATCOM S 9010 06 01 2500	6/2500	2492	2435	230	45	10,86	6,23	193	293	405	146,21

BATTERIE COMBY BIANCO | WHITE COMBY BATTERIES



COME LEGGERE LA TABELLA
HOW TO READ THE TABLE

Altezza batteria
Battery height

	500	560 ^A	600	680 ^G
1 el.	35,41	33,96	29,85	31,38
W	52	58	62	70
2 el.	70,82	67,92	59,70	62,76
W	104	116	124	140
3 el.	106,23	101,88	89,55	94,14
W	156	174	186	210

Prezzo (€)
Price (€)

Resa Termica (W)
Heat Output (W)

Numero Elementi
Number Elements

- 500** Modelli standard in Acciaio
Standard Steel models
- 560^A** Modelli speciali sostituzione Alluminio
Special Aluminium replacements models
- 680^G** Modelli speciali sostituzione Ghisa
Special Cast Iron replacements models

BATTERIE COMBY BIANCO | WHITE COMBY BATTERIES

2 colonne | 2 columns

EL.	ALTEZZE Heights																
	300	400	500	560 ^A	600	660 ^A	680 ^G	750	860 ^A	870 ^G	900	1000	1500	1800	2000	2200	2500
1 el.	19,22	21,78	18,92	19,83	20,24	20,36	20,36	21,28	22,18	22,18	23,02	24,44	33,85	36,81	40,81	51,32	53,89
W	24	30	37	41	44	48	50	54	61	62	64	70	104	124	139	153	176
2 el.	38,44	43,56	37,84	39,68	40,50	40,70	40,70	42,54	44,39	44,39	46,01	48,88	67,69	73,62	81,60	102,66	107,78
W	48	60	74	82	88	96	100	108	122	124	128	140	208	248	278	306	352
3 el.	57,67	65,34	56,75	59,51	60,74	61,05	61,05	63,80	66,57	66,57	69,02	73,32	101,55	110,43	122,40	153,98	161,67
W	72	90	111	123	132	144	150	162	183	186	192	210	312	372	417	459	528
4 el.	76,90	87,12	75,66	79,34	80,97	81,39	81,39	85,07	88,74	88,74	92,03	97,75	135,38	147,24	163,20	205,33	215,55
W	96	120	148	164	176	192	200	216	244	248	256	280	416	496	556	612	704
5 el.	96,12	108,90	94,58	99,20	101,22	101,74	101,74	106,34	110,95	110,95	115,03	122,19	169,23	184,05	204,00	256,65	269,43
W	120	150	185	205	220	240	250	270	305	310	320	350	520	620	695	765	880
6 el.	115,34	130,68	113,50	119,02	121,47	122,09	122,09	127,61	133,13	133,13	138,04	146,63	203,07	220,85	244,80	307,99	323,32
W	144	180	222	246	264	288	300	324	366	372	384	420	624	744	834	918	1056
7 el.	134,57	152,46	132,41	138,86	141,73	142,44	142,44	148,88	155,32	155,32	161,05	171,07	236,92	257,68	285,59	359,31	377,21
W	168	210	259	287	308	336	350	378	427	434	448	490	728	868	973	1071	1232
8 el.	153,78	174,23	151,33	158,69	161,97	162,78	162,78	170,14	177,51	177,51	184,05	195,50	270,76	294,48	326,38	410,64	431,09
W	192	240	296	328	352	384	400	432	488	496	512	560	832	992	1112	1224	1408
9 el.	173,00	196,02	170,25	178,53	182,21	183,14	183,14	191,41	199,70	199,70	207,06	219,95	304,61	331,29	367,18	461,97	484,98
W	216	270	333	369	396	432	450	486	549	558	576	630	936	1116	1251	1377	1584
10 el.	192,23	217,80	189,17	198,37	202,47	203,48	203,48	212,68	221,88	221,88	230,07	244,38	338,46	368,11	407,98	513,30	538,87
W	240	300	370	410	440	480	500	540	610	620	640	700	1040	1240	1390	1530	1760
11 el.	211,45	239,57	208,08	218,20	222,71	223,84	223,84	233,95	244,08	244,08	253,07	268,82	372,30	404,90	448,78	564,63	592,76
W	264	330	407	451	484	528	550	594	671	682	704	770	1144	1364	1529	1683	1936
12 el.	230,68	261,35	226,99	238,04	242,94	244,17	244,17	255,22	266,26	266,26	276,08	293,25	406,14	441,73	489,57	615,97	646,64
W	288	360	444	492	528	576	600	648	732	744	768	840	1248	1488	1668	1836	2112
13 el.	249,90	283,13	245,93	257,88	263,19	264,52	264,52	276,48	288,46	288,46	299,08	317,70	439,98	478,54	530,38	667,30	700,52
W	312	390	481	533	572	624	650	702	793	806	832	910	1352	1612	1807	1989	2288
14 el.	269,12	304,92	264,84	277,72	283,44	284,88	284,88	297,75	310,64	310,64	322,09	342,13	473,83	515,34	571,18	718,62	754,41
W	336	420	518	574	616	672	700	756	854	868	896	980	1456	1736	1946	2142	2464
15 el.	288,35	326,70	283,75	297,55	303,69	305,22	305,22	319,02	332,83	332,83	345,10	366,58	507,69	552,16	611,97	769,95	808,30
W	360	450	555	615	660	720	750	810	915	930	960	1050	1560	1860	2085	2295	2640
16 el.	307,58	348,47	302,66	317,40	323,93	325,57	325,57	340,29	355,02	355,02	368,11	391,01					
W	384	480	592	656	704	768	800	864	976	992	1024	1120					
17 el.	326,80	370,26	321,59	337,22	344,18	345,91	345,91	361,56	377,21	377,21	391,11	415,45					
W	408	510	629	697	748	816	850	918	1037	1054	1088	1190					
18 el.	346,02	392,03	340,50	357,05	364,43	366,26	366,26	382,82	399,39	399,39	414,12	439,88					
W	432	540	666	738	792	864	900	972	1098	1116	1152	1260					
19 el.	365,24	413,82	359,41	376,90	384,66	386,62	386,62	404,09	421,60	421,60	437,13	464,33					
W	456	570	703	779	836	912	950	1026	1159	1178	1216	1330					
20 el.	384,46	435,59	378,33	396,73	404,90	406,96	406,96	425,36	443,77	443,77	460,13	488,77					
W	480	600	740	820	880	960	1000	1080	1220	1240	1280	1400					
21 el.	403,69	457,37	397,25	416,57	425,16	427,30	427,30	446,63	465,95	465,95	483,13	513,20					
W	504	630	777	861	924	1008	1050	1134	1281	1302	1344	1470					
22 el.	422,92	479,15	416,17	436,40	445,41	447,65	447,65	467,90	488,16	488,16	506,15	537,63					
W	528	660	814	902	968	1056	1100	1188	1342	1364	1408	1540					
23 el.	442,14	500,93	435,08	456,25	465,66	468,01	468,01	489,16	510,34	510,34	529,15	562,09					
W	552	690	851	943	1012	1104	1150	1242	1403	1426	1472	1610					
24 el.	461,35	522,70	454,00	476,08	485,90	488,35	488,35	510,43	532,52	532,52	552,16	586,52					
W	576	720	888	984	1056	1152	1200	1296	1464	1488	1536	1680					
25 el.	480,58	544,49	472,92	495,92	506,15	508,70	508,70	531,71	554,73	554,73	575,17	610,95					
W	600	750	925	1025	1100	1200	1250	1350	1525	1550	1600	1750					
26 el.	499,80	566,26	491,83	515,76	526,40	529,05	529,05	552,98	576,90	576,90	598,17	635,38					
W	624	780	962	1066	1144	1248	1300	1404	1586	1612	1664	1820					
27 el.	519,02	588,06	510,74	535,59	546,63	549,41	549,41	574,25	599,09	599,09	621,18	659,84					
W	648	810	999	1107	1188	1296	1350	1458	1647	1674	1728	1890					
28 el.	538,25	609,82	529,66	555,42	566,87	569,74	569,74	595,51	621,29	621,29	644,19	684,27					
W	672	840	1036	1148	1232	1344	1400	1512	1708	1736	1792	1960					
29 el.	557,47	631,61	548,58	575,26	587,13	590,10	590,10	616,78	643,47	643,47	667,18	708,71					
W	696	870	1073	1189	1276	1392	1450	1566	1769	1798	1856	2030					
30 el.	576,70	653,38	567,49	595,10	607,37	610,44	610,44	638,05	665,65	665,65	690,20	733,14					
W	720	900	1110	1230	1320	1440	1500	1620	1830	1860	1920	2100					

BATTERIE COMBY BIANCO | WHITE COMBY BATTERIES

3 colonne | 3 columns

EL.	ALTEZZE Heights																				
	300	400	500	560 A	600	630	660 A	680 C	750	760 A	860 A	870 C	900	1000	1500	1800	1860 A	2000	2060 A	2200	2500
1 el.	23,32	23,63	23,63	22,64	19,94	24,44	19,94	20,97	21,99	24,03	24,03	24,03	25,06	27,61	44,99	52,16	54,25	56,23	58,80	76,69	76,69
W	33	43	52	58	62	65	68	70	75	76	86	87	89	98	142	168	174	185	189	203	228
2 el.	52,27	47,25	47,25	45,26	39,88	48,88	39,88	41,92	43,97	48,06	48,06	48,06	50,10	55,21	89,98	104,30	108,51	112,49	117,58	153,38	153,38
W	66	86	104	116	124	130	136	140	150	152	172	174	178	196	284	336	348	370	378	406	456
3 el.	69,94	70,87	70,87	67,91	59,82	73,32	59,82	62,90	65,96	72,09	72,09	72,09	75,17	82,83	134,97	156,44	162,76	168,72	176,38	230,07	230,07
W	99	129	156	174	186	195	204	210	225	228	258	261	267	294	426	504	522	555	567	609	684
4 el.	93,25	94,48	94,48	90,55	79,76	97,75	79,76	83,83	87,93	96,12	96,12	96,12	100,20	110,43	179,96	208,59	217,03	224,95	235,19	306,75	306,75
W	132	172	208	232	248	260	272	280	300	304	344	348	356	392	568	672	696	740	756	812	912
5 el.	116,56	118,11	118,11	113,20	99,69	122,19	99,69	104,81	109,93	120,14	120,14	120,14	125,26	138,04	224,95	260,74	271,28	281,18	293,99	383,44	383,44
W	165	215	260	290	310	325	340	350	375	380	430	435	445	490	710	840	870	925	945	1015	1140
6 el.	139,88	141,73	141,73	135,82	119,64	146,63	119,64	125,77	131,90	144,16	144,16	144,16	150,31	165,64	269,95	312,89	325,53	337,44	352,77	460,13	460,13
W	198	258	312	348	372	390	408	420	450	456	516	522	534	588	852	1008	1044	1110	1134	1218	1368
7 el.	163,20	165,34	165,34	158,46	139,58	171,07	139,58	146,73	153,89	168,21	168,21	168,21	175,35	193,25	314,93	365,04	379,78	393,67	411,57	536,82	536,82
W	231	301	364	406	434	455	476	490	525	532	602	609	623	686	994	1176	1218	1295	1323	1421	1596
8 el.	186,50	188,96	188,96	181,12	159,52	195,50	159,52	167,70	175,87	192,23	192,23	192,23	200,41	220,85	359,92	417,18	434,02	449,90	470,35	613,51	613,51
W	264	344	416	464	496	520	544	560	600	608	688	696	712	784	1136	1344	1392	1480	1512	1624	1824
9 el.	209,82	212,59	212,59	203,75	179,45	219,95	179,45	188,66	197,86	216,27	216,27	216,27	225,47	248,47	404,90	469,33	488,29	506,15	529,15	690,20	690,20
W	297	387	468	522	558	585	612	630	675	684	774	783	801	882	1278	1512	1566	1665	1701	1827	2052
10 el.	233,13	236,20	236,20	226,38	199,38	244,38	199,38	209,62	219,85	240,29	240,29	240,29	250,52	276,08	449,90	521,49	542,54	562,38	587,93	766,89	766,89
W	330	430	520	580	620	650	680	700	750	760	860	870	890	980	1420	1680	1740	1850	1890	2030	2280
11 el.	256,44	259,82	259,82	249,03	219,34	268,82	219,34	230,58	241,83	264,33	264,33	264,33	275,57	303,69	494,89	573,63	596,79	618,62	646,73	843,58	843,58
W	363	473	572	638	682	715	748	770	825	836	946	957	979	1078	1562	1848	1914	2035	2079	2233	2508
12 el.	279,76	283,44	283,44	271,66	239,26	293,25	239,26	251,53	263,81	288,35	288,35	288,35	300,62	331,29	539,88	625,78	651,06	674,86	705,54	920,26	920,26
W	396	516	624	696	744	780	816	840	900	912	1032	1044	1068	1176	1704	2016	2088	2220	2268	2436	2736
13 el.	303,08	307,07	307,07	294,30	259,22	317,70	259,22	272,50	285,79	312,37	312,37	312,37	325,67	358,90	584,88	677,91	705,31	731,09	764,34	996,94	996,94
W	429	559	676	754	806	845	884	910	975	988	1118	1131	1157	1274	1846	2184	2262	2405	2457	2639	2964
14 el.	326,38	330,69	330,69	316,93	279,15	342,13	279,15	293,46	307,78	336,40	336,40	336,40	350,72	386,52	629,87	730,07	759,56	787,34	823,12	1073,64	1073,64
W	462	602	728	812	868	910	952	980	1050	1064	1204	1218	1246	1372	1988	2352	2436	2590	2646	2842	3192
15 el.	349,69	354,31	354,31	339,58	299,08	366,58	299,08	314,43	329,76	360,43	360,43	360,43	375,77	414,12	674,86	782,23	813,82	843,58	881,92	1150,32	1150,32
W	495	645	780	870	930	975	1020	1050	1125	1140	1290	1305	1335	1470	2130	2520	2610	2775	2835	3045	3420
16 el.	373,02	377,93	377,93	362,22	319,02	391,01	319,02	335,38	351,75	384,46	384,46	384,46	400,83	441,73							
W	528	688	832	928	992	1040	1088	1120	1200	1216	1376	1392	1424	1568							
17 el.	396,32	401,54	401,54	384,85	338,97	415,45	338,97	356,36	373,72	408,49	408,49	408,49	425,88	469,33							
W	561	731	884	986	1054	1105	1156	1190	1275	1292	1462	1479	1513	1666							
18 el.	419,64	425,16	425,16	407,49	358,90	439,88	358,90	377,30	395,71	432,52	432,52	432,52	450,92	496,94							
W	594	774	936	1044	1116	1170	1224	1260	1350	1368	1548	1566	1602	1764							
19 el.	442,96	448,78	448,78	430,12	378,85	464,33	378,85	398,27	417,71	456,55	456,55	456,55	475,98	524,54							
W	627	817	988	1102	1178	1235	1292	1330	1425	1444	1634	1653	1691	1862							
20 el.	466,26	472,40	472,40	452,76	398,79	488,77	398,79	419,23	439,68	480,58	480,58	480,58	501,04	552,16							
W	660	860	1040	1160	1240	1300	1360	1400	1500	1520	1720	1740	1780	1960							
21 el.	489,57	496,02	496,02	475,42	418,71	513,20	418,71	440,19	461,67	504,62	504,62	504,62	526,08	579,76							
W	693	903	1092	1218	1302	1365	1428	1470	1575	1596	1806	1827	1869	2058							
22 el.	512,89	519,64	519,64	498,04	438,65	537,63	438,65	461,16	483,65	528,64	528,64	528,64	551,14	607,37							
W	726	946	1144	1276	1364	1430	1496	1540	1650	1672	1892	1914	1958	2156							
23 el.	536,20	543,26	543,26	520,69	458,60	562,09	458,60	482,12	505,64	552,68	552,68	552,68	576,19	634,97							
W	759	989	1196	1334	1426	1495	1564	1610	1725	1748	1978	2001	2047	2254							
24 el.	559,52	566,87	566,87	543,32	478,54	586,52	478,54	503,08	527,61	576,70	576,70	576,70	601,23	662,58							
W	792	1032	1248	1392	1488	1560	1632	1680	1800	1824	2064	2088	2136	2352							
25 el.	582,84	590,50	590,50	565,97	498,48	610,95	498,48	524,04	549,61	600,74	600,74	600,74	626,29	690,20							
W	825	1075	1300	1450	1550	1625	1700	1750	1875	1900	2150	2175	2225	2450							
26 el.	606,14	614,12	614,12	588,60	518,42	635,38	518,42	544,99	571,58	624,76	624,76	624,76	651,24	717,80							
W	858	1118	1352	1508	1612	1690	1768	1820	1950	1976	2236	2262	2314	2548							
27 el.	629,46	637,75	637,75	611,24	538,36	659,84	538,36	565,97	593,57	648,79	648,79	648,79	676,40	745,41							
W	891	1161	1404	1566	1674	1755	1836	1890	2025	2052	2322	2349	2403	2646							
28 el.	652,77	661,36	661,36	633,88	558,29	684,27	558,29	586,92	615,54	672,82	672,82	672,82	701,45	773,01							
W	924	1204	1456	1624	1736	1820	1904	1960	2100	2128	2408	2436	2492	2744							
29 el.	676,08	684,99	684,99	656,51	578,23	708,71	578,23	607,89	637,54	696,84	696,84	696,84	726,49	800,62							
W	957	1247	1508	1682	1798	1885	1972	2030	2175	2204	2494	2523	2581	2842							
30 el.	699,40	708,59	708,59	679,15	598,17	733,14	598,17	628,85	659,53	720,87	720,87	720,87	751,55	828,24							
W	990	1290	1560	1740	1860	1950	2040	2100	2250	2280	2580	2610	2670	2940							

BATTERIE COMBY BIANCO | WHITE COMBY BATTERIES

5 colonne | 5 columns

EL.	ALTEZZE Heights																
	300	400	500	560 ^A	600	660 ^A	680 ^C	750	860 ^A	870 ^C	900	1000	1500	1800	2000	2200	2500
1 el.	50,90	45,10	43,38	43,97	46,01	48,58	48,58	50,10	53,18	54,19	55,21	57,26	77,71	88,95	98,16	117,58	117,58
W	54	69	85	94	99	108	112	121	137	138	141	155	221	259	285	310	346
2 el.	101,78	90,19	86,77	87,93	92,03	97,14	97,14	100,20	106,34	108,39	110,43	114,52	155,43	177,91	196,32	235,19	235,19
W	108	138	170	188	198	216	224	242	274	276	282	310	442	518	570	620	692
3 el.	152,67	135,28	130,15	131,90	138,04	145,71	145,71	150,31	159,52	162,58	165,64	171,78	233,13	266,87	294,48	352,77	352,77
W	162	207	255	282	297	324	336	363	411	414	423	465	663	777	855	930	1038
4 el.	203,56	180,38	173,54	175,87	184,05	194,28	194,28	200,41	212,68	216,77	220,85	229,04	310,85	355,84	392,65	470,35	470,35
W	216	276	340	376	396	432	448	484	548	552	564	620	884	1036	1140	1240	1384
5 el.	254,46	225,47	216,92	219,85	230,07	242,85	242,85	250,52	265,86	270,97	276,08	286,30	388,55	444,79	490,81	587,93	587,93
W	270	345	425	470	495	540	560	605	685	690	705	775	1105	1295	1425	1550	1730
6 el.	305,34	270,56	260,31	263,81	276,08	291,42	291,42	300,62	319,02	325,17	331,29	343,56	466,26	533,75	588,96	705,54	705,54
W	324	414	510	564	594	648	672	726	822	828	846	930	1326	1554	1710	1860	2076
7 el.	356,23	315,65	303,70	307,78	322,09	339,99	339,99	350,72	372,20	379,35	386,52	400,83	543,98	622,70	687,13	823,12	823,12
W	378	483	595	658	693	756	784	847	959	966	987	1085	1547	1813	1995	2170	2422
8 el.	407,12	360,74	347,08	351,75	368,11	388,55	388,55	400,83	425,36	433,54	441,73	458,09	621,68	711,66	785,28	940,71	940,71
W	432	552	680	752	792	864	896	968	1096	1104	1128	1240	1768	2072	2280	2480	2768
9 el.	458,02	405,84	390,47	395,71	414,12	437,13	437,13	450,92	478,54	487,74	496,94	515,34	699,40	800,62	883,45	1058,29	1058,29
W	486	621	765	846	891	972	1008	1089	1233	1242	1269	1395	1989	2331	2565	2790	3114
10 el.	508,90	450,92	433,86	439,68	460,13	485,69	485,69	501,04	531,71	541,93	552,16	572,60	777,11	889,60	981,60	1175,90	1175,90
W	540	690	850	940	990	1080	1120	1210	1370	1380	1410	1550	2210	2590	2850	3100	3460
11 el.	559,79	496,02	477,24	483,65	506,15	534,26	534,26	551,14	584,88	596,12	607,37	629,87	854,82	978,55	1079,76	1293,48	1293,48
W	594	759	935	1034	1089	1188	1232	1331	1507	1518	1551	1705	2431	2849	3135	3410	3806
12 el.	610,68	541,11	520,62	527,61	552,16	582,84	582,84	601,23	638,05	650,31	662,58	687,13	932,54	1067,50	1177,92	1411,06	1411,06
W	648	828	1020	1128	1188	1296	1344	1452	1644	1656	1692	1860	2652	3108	3420	3720	4152
13 el.	661,58	586,21	564,01	571,58	598,17	631,40	631,40	651,34	691,20	704,51	717,80	744,39	1010,25	1156,46	1276,09	1528,64	1528,64
W	702	897	1105	1222	1287	1404	1456	1573	1781	1794	1833	2015	2873	3367	3705	4030	4498
14 el.	712,46	631,30	607,39	615,54	644,19	679,97	679,97	701,45	744,39	758,70	773,01	801,65	1087,95	1245,42	1374,26	1646,25	1646,25
W	756	966	1190	1316	1386	1512	1568	1694	1918	1932	1974	2170	3094	3626	3990	4340	4844
15 el.	763,36	676,40	650,78	659,53	690,20	728,54	728,54	751,55	797,56	812,90	828,24	858,90	1165,66	1334,38	1472,41	1763,83	1763,83
W	810	1035	1275	1410	1485	1620	1680	1815	2055	2070	2115	2325	3315	3885	4275	4650	5190
16 el.	814,25	721,49	694,15	703,48	736,21	777,11	777,11	801,65	850,73	867,09	883,45	916,17					
W	864	1104	1360	1504	1584	1728	1792	1936	2192	2208	2256	2480					
17 el.	865,12	766,58	737,56	747,46	782,23	825,69	825,69	851,75	903,90	921,27	938,66	973,43					
W	918	1173	1445	1598	1683	1836	1904	2057	2329	2346	2397	2635					
18 el.	916,02	811,66	780,94	791,42	828,24	874,23	874,23	901,85	957,06	975,48	993,88	1030,69					
W	972	1242	1530	1692	1782	1944	2016	2178	2466	2484	2538	2790					
19 el.	966,92	856,76	824,31	835,39	874,23	922,81	922,81	951,95	1010,25	1029,66	1049,09	1087,95					
W	1026	1311	1615	1786	1881	2052	2128	2299	2603	2622	2679	2945					
20 el.	1017,82	901,85	867,70	879,35	920,26	971,39	971,39	1002,06	1063,41	1083,86	1104,31	1145,21					
W	1080	1380	1700	1880	1980	2160	2240	2420	2740	2760	2820	3100					
21 el.	1068,69	946,95	911,08	923,32	966,27	1019,96	1019,96	1052,16	1116,59	1138,06	1159,53	1202,47					
W	1134	1449	1785	1974	2079	2268	2352	2541	2877	2898	2961	3255					
22 el.	1119,59	992,04	954,47	967,30	1012,28	1068,53	1068,53	1102,26	1169,75	1192,25	1214,74	1259,73					
W	1188	1518	1870	2068	2178	2376	2464	2662	3014	3036	3102	3410					
23 el.	1170,48	1037,14	997,85	1011,25	1058,29	1117,10	1117,10	1152,36	1222,92	1246,44	1269,95	1316,99					
W	1242	1587	1955	2162	2277	2484	2576	2783	3151	3174	3243	3565					
24 el.	1221,37	1082,22	1041,25	1055,24	1104,31	1165,66	1165,66	1202,47	1276,09	1300,63	1325,17	1374,26					
W	1296	1656	2040	2256	2376	2592	2688	2904	3288	3312	3384	3720					
25 el.	1272,25	1127,33	1084,63	1099,20	1150,32	1214,23	1214,23	1252,58	1329,27	1354,83	1380,39	1431,52					
W	1350	1725	2125	2350	2475	2700	2800	3025	3425	3450	3525	3875					
26 el.	1323,14	1172,41	1128,00	1143,17	1196,34	1262,80	1262,80	1302,67	1382,43	1409,02	1435,61	1488,77					
W	1404	1794	2210	2444	2574	2808	2912	3146	3562	3588	3666	4030					
27 el.	1374,04	1217,51	1171,40	1187,13	1242,34	1311,38	1311,38	1352,77	1435,61	1463,22	1490,82	1546,03					
W	1458	1863	2295	2538	2673	2916	3024	3267	3699	3726	3807	4185					
28 el.	1424,94	1262,59	1214,77	1231,11	1288,36	1359,95	1359,95	1402,89	1488,77	1517,41	1546,03	1603,30					
W	1512	1932	2380	2632	2772	3024	3136	3388	3836	3864	3948	4340					
29 el.	1475,82	1307,70	1258,16	1275,07	1334,38	1408,51	1408,51	1452,98	1541,95	1571,60	1601,25	1660,56					
W	1566	2001	2465	2726	2871	3132	3248	3509	3973	4002	4089	4495					
30 el.	1526,71	1352,77	1301,56	1319,04	1380,39	1457,08	1457,08	1503,09	1595,12	1625,79	1656,46	1717,82					
W	1620	2070	2550	2820	2970	3240	3360	3630	4110	4140	4230	4650					

BATTERIE COMBY BIANCO | WHITE COMBY BATTERIES

6 colonne | 6 columns

EL.	ALTEZZE Heights																
	300	400	500	560 ^A	600	660 ^A	680 ^C	750	860 ^A	870 ^C	900	1000	1500	1800	2000	2200	2500
1 el.	53,18	48,35	48,06	50,10	52,16	53,18	53,18	55,21	58,28	58,28	59,31	63,39	92,03	111,45	120,66	146,21	146,21
W	63	83	102	114	120	132	136	147	167	169	173	190	269	313	341	371	405
2 el.	106,34	96,71	96,12	100,20	104,30	106,34	106,34	110,43	116,56	116,56	118,60	126,80	184,05	222,91	241,31	292,44	292,44
W	126	166	204	228	240	264	272	294	334	338	346	380	538	626	682	742	810
3 el.	159,52	145,06	144,16	150,31	156,44	159,52	159,52	165,64	174,86	174,86	177,91	190,18	276,08	334,36	361,96	438,65	438,65
W	189	249	306	342	360	396	408	441	501	507	519	570	807	939	1023	1113	1215
4 el.	212,68	193,42	192,23	200,41	208,59	212,68	212,68	220,85	233,13	233,13	237,22	253,58	368,11	445,82	482,62	584,88	584,88
W	252	332	408	456													

COMBY COLOR | COLOR COMBY



FINITURE | FINISHING



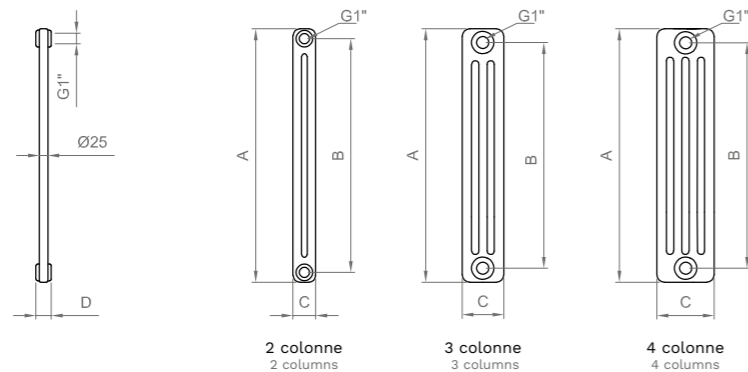
Fornito con:
4 riduzioni da ½" verniciate in finitura, tappino cieco, valvolina di sfiato, e coppia di mensole speciali invisibili per fissaggio a muro

Supplied with:
4 reductions ½" painted in finishing, blind plug, vent valve and a pair of special invisible shelves for wall mounting.

ESEMPIO CREAZIONE CODICE BATTERIA
EXAMPLE BATTERY CODE CREATION

AT COM M **0215** **03** **09** **0900**

Fornitura Supply: 3 colonne 3 columns, Finitura Finishing: 0215, 9 elementi 9 elements, Altezza Height: 900mm



COMBY COLOR | COLOR COMBY

2 colonne | 2 columns

Codice Code	Tipo Type	A mm	B mm	C mm	D mm	KG	LT	WΔT 30°C	WΔT 40°C	WΔT 50°C	€
		Altezza Height	Interasse Centre to centre distance	Profondità Depth	Larghezza Width						
ATCOMM 02 01 0600	2/600	592	535	66	45	0,96	0,57	23	33	44	30,36
ATCOMM 02 01 0900	2/900	892	835	66	45	1,35	0,81	33	48	64	34,52
ATCOMM 02 01 1000	2/1000	992	935	66	45	1,49	0,88	37	53	70	36,66
ATCOMM 02 01 1500	2/1500	1492	1435	66	45	2,11	1,28	55	78	104	50,77
ATCOMM 02 01 1800	2/1800	1792	1735	66	45	2,51	1,51	65	94	124	55,21
ATCOMM 02 01 2000	2/2000	1992	1935	66	45	2,79	1,67	72	104	139	61,21

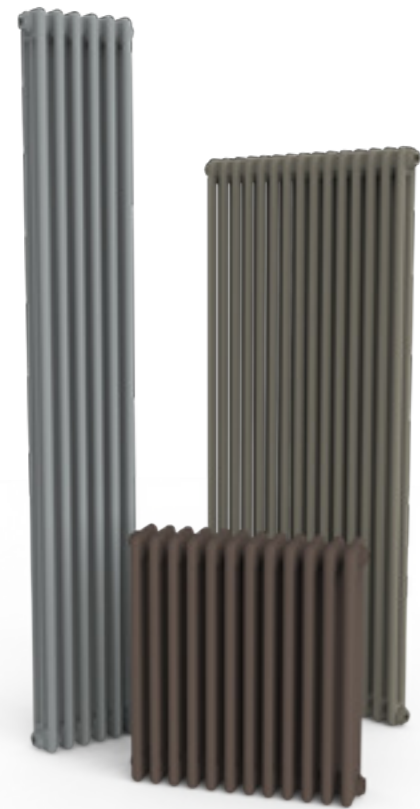
3 colonne | 3 columns

Codice Code	Tipo Type	A mm	B mm	C mm	D mm	KG	LT	WΔT 30°C	WΔT 40°C	WΔT 50°C	€
		Altezza Height	Interasse Centre to centre distance	Profondità Depth	Larghezza Width						
ATCOMM 03 01 0500	3/500	492	435	107	45	1,2	0,74	27	39	52	35,44
ATCOMM 03 01 0560	3/560	557	500	107	45	1,35	0,82	30	44	58	33,97
ATCOMM 03 01 0600	3/600	592	535	107	45	1,42	0,86	32	46	62	29,90
ATCOMM 03 01 0630	3/630	629	572	107	45	1,49	0,9	33	48	65	36,66
ATCOMM 03 01 0660	3/660	657	600	107	45	1,56	0,94	35	51	68	29,90
ATCOMM 03 01 0680	3/680	680	623	107	45	1,6	0,97	36	52	70	31,46
ATCOMM 03 01 0750	3/750	742	685	107	45	1,72	1,03	39	56	75	32,98
ATCOMM 03 01 0860	3/860	857	800	107	45	1,95	1,15	44	64	86	36,05
ATCOMM 03 01 0870	3/870	870	813	107	45	1,97	1,17	45	65	87	36,05
ATCOMM 03 01 0900	3/900	892	835	107	45	2,03	1,2	46	67	89	37,59
ATCOMM 03 01 1000	3/1000	992	935	107	45	2,24	1,28	50	73	98	41,41
ATCOMM 03 01 1500	3/1500	1492	1435	107	45	3,3	1,88	72	106	142	67,50
ATCOMM 03 01 1800	3/1800	1792	1735	107	45	3,92	2,31	85	125	168	78,23
ATCOMM 03 01 2000	3/2000	1992	1935	107	45	4,35	2,55	94	137	185	84,34

4 colonne | 4 columns

Codice Code	Tipo Type	A mm	B mm	C mm	D mm	KG	LT	WΔT 30°C	WΔT 40°C	WΔT 50°C	€
		Altezza Height	Interasse Centre to centre distance	Profondità Depth	Larghezza Width						
ATCOMM 04 01 0500	4/500	492	435	148	45	1,65	0,98	36	51	68	38,34
ATCOMM 04 01 0560	4/560	557	500	148	45	1,81	1,08	40	57	76	39,48
ATCOMM 04 01 0600	4/600	592	535	148	45	1,93	1,14	42	60	80	35,27
ATCOMM 04 01 0630	4/630	629	572	148	45	2,01	1,19	44	63	84	41,96
ATCOMM 04 01 0660	4/660	657	600	148	45	2,09	1,24	46	66	88	36,82
ATCOMM 04 01 0680	4/680	680	623	148	45	2,15	1,27	47	68	91	36,82
ATCOMM 04 01 0750	4/750	742	685	148	45	2,31	1,38	51	74	99	39,88
ATCOMM 04 01 0860	4/860	857	800	148	45	2,56	1,56	58	84	113	42,19
ATCOMM 04 01 0870	4/870	870	813	148	45	2,59	1,58	58	85	114	42,94
ATCOMM 04 01 0900	4/900	892	835	148	45	2,67	1,62	60	87	117	45,26
ATCOMM 04 01 1000	4/1000	992	935	148	45	2,95	1,76	66	96	129	49,08
ATCOMM 04 01 1500	4/1500	1492	1435	148	45	4,35	2,56	92	136	184	78,23
ATCOMM 04 01 1800	4/1800	1792	1735	148	45	5,15	3,02	108	160	217	90,49
ATCOMM 04 01 2000	4/2000	1992	1935	148	45	5,71	3,34	119	176	238	101,23

BATTERIE COMBY COLOR | COMBY COLOR BATTERIES



COME LEGGERE LA TABELLA
HOW TO READ THE TABLE

		Altezza batteria Battery height			
		500	560 ^A	600	680 ^G
1 el.	35,41	33,96	29,85	31,38	← Prezzo (€) Price (€)
W	52	58	62	70	
2 el.	70,82	67,92	59,70	62,76	← Resa Termica (W) Heat Output (W)
W	104	116	124	140	
3 el.	106,23	101,88	89,55	94,14	
W	156	174	186	210	

Numero Elementi
Number Elements

- 500** Modelli standard in Acciaio
Standard Steel models
- 560^A** Modelli speciali sostituzione Alluminio
Special Aluminium replacements models
- 680^G** Modelli speciali sostituzione Ghisa
Special Cast Iron replacements models

BATTERIE COMBY COLOR | COMBY COLOR BATTERIES

2 colonne | 2 columns

EL.	ALTEZZE Heights					
	600	900	1000	1500	1800	2000
1 el.	30,36	34,52	36,66	50,77	55,21	61,21
W	44	64	70	104	124	139
2 el.	60,74	69,01	73,33	101,55	110,43	122,40
W	88	128	140	208	248	278
3 el.	91,10	103,54	109,98	152,31	165,64	183,59
W	132	192	210	312	372	417
4 el.	121,46	138,05	146,63	203,07	220,88	244,80
W	176	256	280	416	496	556
5 el.	151,84	172,55	183,28	253,84	276,07	305,99
W	220	320	350	520	620	695
6 el.	182,20	207,05	219,94	304,62	331,29	367,18
W	264	384	420	624	744	834
7 el.	212,60	241,58	256,61	355,38	386,52	428,39
W	308	448	490	728	868	973
8 el.	242,95	276,07	293,25	406,14	441,72	489,57
W	352	512	560	832	992	1112
9 el.	273,32	310,60	329,92	456,91	496,94	550,78
W	396	576	630	936	1116	1251
10 el.	303,69	345,10	366,57	507,69	552,16	611,98
W	440	640	700	1040	1240	1390
11 el.	334,06	379,61	403,24	558,45	607,36	673,18
W	484	704	770	1144	1364	1529
12 el.	364,42	414,12	439,88	609,21	662,58	734,36
W	528	768	840	1248	1488	1668
13 el.	394,79	448,64	476,55	659,98	717,80	795,57
W	572	832	910	1352	1612	1807
14 el.	425,16	483,13	513,19	710,76	773,02	856,77
W	616	896	980	1456	1736	1946
15 el.	455,53	517,65	549,86	761,52	828,24	917,96
W	660	960	1050	1560	1860	2085
16 el.	485,90	552,16	586,52			
W	704	1024	1120			
17 el.	516,26	586,66	623,18			
W	748	1088	1190			
18 el.	546,63	621,18	659,82			
W	792	1152	1260			
19 el.	577,00	655,70	696,49			
W	836	1216	1330			
20 el.	607,36	690,20	733,15			
W	880	1280	1400			
21 el.	637,74	724,70	769,80			
W	924	1344	1470			
22 el.	668,12	759,21	806,45			
W	968	1408	1540			
23 el.	698,48	793,72	843,13			
W	1012	1472	1610			
24 el.	728,85	828,24	879,78			
W	1056	1536	1680			
25 el.	759,21	862,75	916,43			
W	1100	1600	1750			
26 el.	789,59	897,25	953,08			
W	1144	1664	1820			
27 el.	819,96	931,78	989,76			
W	1188	1728	1890			
28 el.	850,31	966,28	1026,40			
W	1232	1792	1960			
29 el.	880,69	1000,78	1063,06			
W	1276	1856	2030			
30 el.	911,05	1035,29	1099,72			
W	1320	1920	2100			

BATTERIE COMBY COLOR | COMBY COLOR BATTERIES

3 colonne | 3 columns

EL.	ALTEZZE Heights													
	500	560 ^A	600	630	660 ^A	680 ^G	750	860 ^A	870 ^G	900	1000	1500	1800	2000
1 el.	35,44	33,97	29,90	36,66	29,90	31,46	32,98	36,05	36,05	37,59	41,41	67,50	78,23	84,34
W	52	58	62	65	68	70	75	86	87	89	98	142	168	185
2 el.	70,87	67,90	59,82	73,33	59,82	62,89	65,96	72,08	72,08	75,15	82,83	134,97	156,45	168,72
W	104	116	124	130	136	140	150	172	174	178	196	284	336	370
3 el.	106,30	101,87	89,72	109,98	89,72	94,34	98,94	108,13	108,13	112,76	124,23	202,47	234,67	253,07
W	156	174	186	195	204	210	225	258	261	267	294	426	504	555
4 el.	141,72	135,83	119,64	146,63	119,64	125,76	131,90	144,16	144,16	150,31	165,64	269,94	312,89	337,43
W	208	232	248	260	272	280	300	344	348	356	392	568	672	740
5 el.	177,16	169,80	149,54	183,28	149,54	157,22	164,89	180,22	180,22	187,89	207,05	337,43	391,10	421,78
W	260	290	310	325	340	350	375	430	435	445	490	710	840	925
6 el.	212,60	203,74	179,46	219,94	179,46	188,65	197,86	216,26	216,26	225,46	248,47	404,92	469,34	506,16
W	312	348	372	390	408	420	450	516	522	534	588	852	1008	1110
7 el.	248,01	237,70	209,36	256,61	209,36	220,11	230,84	252,31	252,31	263,04	289,88	472,40	547,57	590,50
W	364	406	434	455	476	490	525	602	609	623	686	994	1176	1295
8 el.	283,43	271,67	239,26	293,25	239,26	251,54	263,81	288,35	288,35	300,61	331,29	539,88	625,77	674,86
W	416	464	496	520	544	560	600	688	696	712	784	1136	1344	1480
9 el.	318,87	305,62	269,18	329,92	269,18	282,98	296,80	324,40	324,40	338,20	372,69	607,36	704,00	759,21
W	468	522	558	585	612	630	675	774	783	801	882	1278	1512	1665
10 el.	354,31	339,57	299,07	366,57	299,07	314,43	329,76	360,43	360,43	375,77	414,12	674,86	782,23	843,58
W	520	580	620	650	680	700	750	860	870	890	980	1420	1680	1850
11 el.	389,73	373,54	329,00	403,24	329,00	345,86	362,74	396,48	396,48	413,35	455,53	742,34	860,44	927,94
W	572	638	682	715	748	770	825	946	957	979	1078	1562	1848	2035
12 el.	425,16	407,49	358,89	439,88	358,89	377,30	395,71	432,52	432,52	450,92	496,94	809,83	938,66	1012,28
W	624	696	744	780	816	840	900	1032	1044	1068	1176	1704	2016	2220
13 el.	460,60	441,45	388,82	476,55	388,82	408,75	428,68	468,57	468,57	488,50	538,36	877,31	1016,88	1096,63
W	676	754	806	845	884	910	975	1118	1131	1157	1274	1846	2184	2405
14 el.	496,03	475,40	418,71	513,19	418,71	440,19	461,67	504,60	504,60	526,07	579,77	944,79	1095,11	1181,00
W	728	812	868	910	952	980	1050	1204	1218	1246	1372	1988	2352	2590
15 el.	531,45	509,37	448,64	549,86	448,64	471,65	494,64	540,65	540,65	563,67	621,18	1012,28	1173,34	1265,36
W	780	870	930	975	1020	1050	1125	1290	1305	1335	1470	2130	2520	2775
16 el.	566,88	543,33	478,54	586,52	478,54	503,08	527,61	576,69	576,69	601,24	662,58			
W	832	928	992	1040	1088	1120	1200	1376	1392	1424	1568			
17 el.	602,33	577,28	508,46	623,18	508,46	534,53	560,59	612,74	612,74	638,82	704,00			
W	884	986	1054	1105	1156	1190	1275	1462	1479	1513	1666			
18 el.	637,74	611,24	538,36	659,82	538,36	565,95	593,57	648,77	648,77	676,40	745,41			
W	936	1044	1116	1170	1224	1260	1350	1548	1566	1602	1764			
19 el.	673,18	645,20	568,28	696,49	568,28	597,41	626,55	684,82	684,82	713,97	786,82			
W	988	1102	1178	1235	1292	1330	1425	1634	1653	1691	1862			
20 el.	708,59	679,15	598,18	733,15	598,18	628,85	659,53	720,89	720,89	751,56	828,24			
W	1040	1160	1240	1300	1360	1400	1500	1720	1740	1780	1960			
21 el.	744,04	713,12	628,08	769,80	628,08	660,30	692,50	756,93	756,93	789,13	869,64			
W	1092	1218	1302	1365	1428	1470	1575	1806	1827	1869	2058			
22 el.	779,46	747,05	657,99	806,45	657,99	691,74	725,47	792,97	792,97	826,71	911,05			
W	1144	1276	1364	1430	1496	1540	1650	1892	1914	1958	2156			
23 el.	814,90	781,03	687,90	843,13	687,90	723,17	758,46	829,02	829,02	864,28	952,46			
W	1196	1334	1426	1495	1564	1610	1725	1978	2001	2047	2254			
24 el.	850,31	814,99	717,80	879,78	717,80	754,62	791,41	865,05	865,05	901,86	993,88			
W	1248	1392	1488	1560	1632	1680	1800	2064	2088	2136	2352			
25 el.	885,76	848,95	747,72	916,43	747,72	786,05	824,41	901,10	901,10	939,43	1035,29			
W	1300	1450	1550	1625	1700	1750	1875	2150	2175	2225	2450			
26 el.	921,18	882,90	777,62	953,08	777,62	817,49	857,38	937,13	937,13	977,02	1076,70			
W	1352	1508	1612	1690	1768	1820	1950	2236	2262	2314	2548			
27 el.	956,62	916,86	807,53	989,76	807,53	848,95	890,36	973,18	973,18	1014,59	1118,10			
W	1404	1566	1674	1755	1836	1890	2025	2322	2349	2403	2646			
28 el.	992,04	950,82	837,44	1026,40	837,44	880,38	923,32	1009,22	1009,22	1052,17	1159,52			
W	1456	1624	1736	1820	1904	1960	2100	2408	2436	2492	2744			
29 el.	1027,48	984,76	867,35	1063,06	867,35	911,84	956,31	1045,26	1045,26	1089,74	1200,93			
W	1508	1682	1798	1885	1972	2030	2175	2494	2523	2581	2842			
30 el.	1062,89	1018,73	897,25	1099,72	897,25	943,27	989,28	1081,30	1081,30	1127,32	1242,35			
W	1560	1740	1860	1950	2040	2100	2250	2580	2610	2670	2940			

BATTERIE COMBY COLOR | COMBY COLOR BATTERIES

4 colonne | 4 columns

EL.	ALTEZZE Heights													
	500	560 ^A	600	630	660 ^A	680 ^G	750	860 ^A	870 ^G	900	1000	1500	1800	2000
1 el.	38,34	39,48	35,27	41,96	36,82	36,82	39,88	42,19	42,94	45,26	49,08	78,23	90,49	101,23
W	68	76	80	84	88	91	99	113	114	117	129	184	217	238
2 el.	76,69	78,95	70,55	83,93	73,62	73,62	79,76	84,34	85,88	90,49	98,17	156,45	180,99	202,47
W	136	152	160	168	176	182	198	226	228	234	258	368	434	476
3 el.	115,03	118,44	105,82	125,89	110,43	110,43	119,64	126,55	128,84	135,75	147,23	234,67	271,48	303,69
W	204	228	240	252	264	273	297	339	342	351	387	552	651	714
4 el.	153,38	157,91	141,12	167,86	147,23	147,23	159,52	168,72	171,79	180,99	196,32	312,89	361,96	404,92
W	272	304	320	336	352	364	396	452	456	468	516	736	868	952
5 el.	191,72	197,40	176,38	209,82	184,05	184,05	199,40	210,90	214,73	226,25	245,40	391,10	452,45	506,16
W	340	380	400	420	440	455	495	565	570	585	645	920	1085	1190
6 el.	230,07	236,86	211,66	251,78	220,88	220,88	239,26	253,07	257,66	271,48	294,49	469,34	542,94	607,36
W	408	456	480	504	528	546	594	678	684	702	774	1104	1302	1428
7 el.	268,40	276,36	246,94	293,75	257,66	257,66	279,14	295,26	300,61	316,73	343,56	547,57	633,44	708,59
W	476	532	560	588	616	637	693	791	798	819	903	1288	1519	1666
8 el.	306,76	315,85	282,21	335,70	294,49	294,49	319,02	337,43	343,56	361,96	392,63	625,77	723,93	809,83
W	544	608	640	672	704	728	792	904	912	936	1032	1472	1736	1904
9 el.	345,10	355,32	317,48	377,69	331,29	331,29	358,89	379,61	386,52	407,22	441,72	704,00	814,42	911,05
W	612	684	720	756	792	819	891	1017	1026	1053	1161	1656	1953	2142
10 el.	383,45	394,79	352,78	419,65	368,11	368,11	398,78	421,78	429,46	452,45	490,80	782,23	904,92	1012,28
W	680	760	800	840	880	910	990	1130	1140	1170	1290	1840	2170	2380
11 el.	421,78	434,27	388,04	461,59	404,92	404,92	438,66	463,98	472,40	497,71	539,88	860,44	995,40	1113,52
W	748	836	880	924	968	1001	1089	1243	1254	1287	1419	2024	2387	2618
12 el.														

COMBY LOFT



Vernice trasparente 9999 | Transparent paint 9999

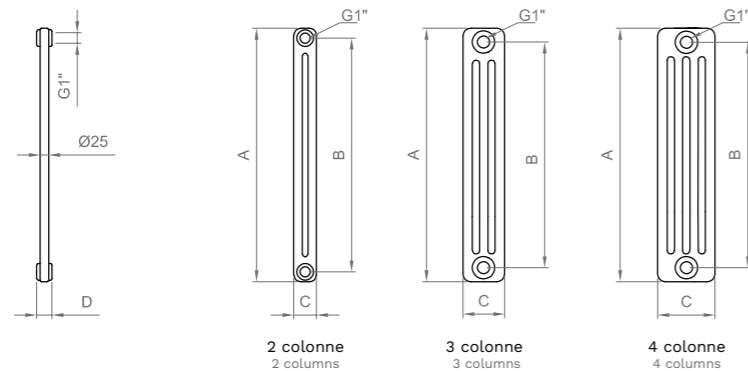
Fornito con:
4 riduzioni da ½” verniciate in finitura,
tappino cieco, valvolina di sfiato
e coppia di mensole speciali invisibili per
fissaggio a muro

Supply with:
4 reductions ½” painted in finishing, blind plug, vent valve
and a pair of special invisible shelves for wall mounting.

ESEMPIO CREAZIONE CODICE BATTERIA
EXAMPLE BATTERY CODE CREATION

AT CLO S 9999 03 09 0900

Fornitura Supply	Finitura: 9999 Finishing: 9999	3 colonne 3 columns	9 elementi 9 elements	Altezza: 900mm Height: 900mm
---------------------	---	------------------------	--------------------------	---------------------------------------



COMBY LOFT

2 colonne | 2 columns

Codice Code	Tipo Type	A mm	B mm	C mm	D mm	KG	LT	WΔT 30°C	WΔT 40°C	WΔT 50°C	€
		Altezza Height	Interasse Centre to centre distance	Profondità Depth	Larghezza Width						
ATCLO S 9999 02 01 0600	2/600	592	535	66	45	0,96	0,57	23	33	44	27,35
ATCLO S 9999 02 01 0900	2/900	892	835	66	45	1,35	0,81	33	48	64	31,05
ATCLO S 9999 02 01 1000	2/1000	992	935	66	45	1,49	0,88	37	53	70	33,00
ATCLO S 9999 02 01 1500	2/1500	1492	1435	66	45	2,11	1,28	55	78	104	45,69
ATCLO S 9999 02 01 1800	2/1800	1792	1735	66	45	2,51	1,51	65	94	124	49,68
ATCLO S 9999 02 01 2000	2/2000	1992	1935	66	45	2,79	1,67	72	104	139	55,06

3 colonne | 3 columns

Codice Code	Tipo Type	A mm	B mm	C mm	D mm	KG	LT	WΔT 30°C	WΔT 40°C	WΔT 50°C	€
		Altezza Height	Interasse Centre to centre distance	Profondità Depth	Larghezza Width						
ATCLO S 9999 03 01 0500	3/500	492	435	107	45	1,2	0,74	27	39	52	31,89
ATCLO S 9999 03 01 0560	3/560	557	500	107	45	1,4	0,82	30	44	58	30,58
ATCLO S 9999 03 01 0600	3/600	592	535	107	45	1,40	0,90	32	46	62	26,87
ATCLO S 9999 03 01 0630	3/630	629	572	107	45	1,49	0,90	33	48	65	32,98
ATCLO S 9999 03 01 0660	3/660	657	600	107	45	1,56	0,94	35	51	68	26,94
ATCLO S 9999 03 01 0680	3/680	680	623	107	45	1,60	0,97	36	52	70	28,26
ATCLO S 9999 03 01 0750	3/750	742	685	107	45	1,72	1,03	39	56	75	29,70
ATCLO S 9999 03 01 0860	3/860	857	800	107	45	1,95	1,15	44	64	86	32,44
ATCLO S 9999 03 01 0870	3/870	870	813	107	45	1,97	1,17	45	65	87	32,46
ATCLO S 9999 03 01 0900	3/900	892	835	107	45	2,00	1,20	46	67	89	33,85
ATCLO S 9999 03 01 1000	3/1000	992	935	107	45	2,24	1,28	50	73	98	37,27
ATCLO S 9999 03 01 1500	3/1500	1492	1435	107	45	3,30	1,88	72	106	142	60,73
ATCLO S 9999 03 01 1800	3/1800	1792	1735	107	45	3,92	2,31	85	125	168	70,38
ATCLO S 9999 03 01 2000	3/2000	1992	1935	107	45	4,40	2,60	94	137	185	75,92

4 colonne | 4 columns

Codice Code	Tipo Type	A mm	B mm	C mm	D mm	KG	LT	WΔT 30°C	WΔT 40°C	WΔT 50°C	€
		Altezza Height	Interasse Centre to centre distance	Profondità Depth	Larghezza Width						
ATCLO S 9999 04 01 0500	4/500	492	435	148	45	1,7	0,98	36	51	68	34,52
ATCLO S 9999 04 01 0560	4/560	557	500	148	45	1,8	1,08	40	57	76	35,55
ATCLO S 9999 04 01 0600	4/600	592	535	148	45	1,9	1,14	42	60	80	31,76
ATCLO S 9999 04 01 0630	4/630	629	572	148	45	2,0	1,19	44	63	84	37,77
ATCLO S 9999 04 01 0660	4/660	657	600	148	45	2,1	1,24	46	66	88	33,14
ATCLO S 9999 04 01 0680	4/680	680	623	148	45	2,2	1,27	47	68	91	33,11
ATCLO S 9999 04 01 0750	4/750	742	685	148	45	2,31	1,38	51	74	99	35,88
ATCLO S 9999 04 01 0860	4/860	857	800	148	45	2,56	1,56	58	84	113	37,96
ATCLO S 9999 04 01 0870	4/870	870	813	148	45	2,59	1,58	58	85	114	38,65
ATCLO S 9999 04 01 0900	4/900	892	835	148	45	2,67	1,62	60	87	117	40,70
ATCLO S 9999 04 01 1000	4/1000	992	935	148	45	2,95	1,76	66	96	129	44,18
ATCLO S 9999 04 01 1500	4/1500	1492	1435	148	45	4,35	2,56	92	136	184	70,39
ATCLO S 9999 04 01 1800	4/1800	1792	1735	148	45	5,15	3,02	108	160	217	81,44
ATCLO S 9999 04 01 2000	4/2000	1992	1935	148	45	5,71	3,34	119	176	238	91,12

BATTERIE COMBY LOFT | COMBY LOFT BATTERIES



COME LEGGERE LA TABELLA
HOW TO READ THE TABLE

		Altezza batteria Battery height			
		500	560 ^A	600	680 ^G
1 el.		35,41	33,96	29,85	31,38
	W	52	58	62	70
2 el.		70,82	67,92	59,70	62,76
	W	104	116	124	140
3 el.		106,23	101,88	89,55	94,14
	W	156	174	186	210

Prezzo (€)
Price (€)

Resa Termica (W)
Heat Output (W)

Numero Elementi
Number Elements

- 500** Modelli standard in Acciaio
Standard Steel models
- 560^A** Modelli speciali sostituzione Alluminio
Special Aluminium replacements models
- 680^G** Modelli speciali sostituzione Ghisa
Special Cast Iron replacements models

BATTERIE COMBY LOFT | COMBY LOFT BATTERIES

2 colonne | 2 columns

EL.	ALTEZZE Heights					
	600	900	1000	1500	1800	2000
1 el.	27,35	31,05	33,00	45,69	49,68	55,06
W	44	64	70	104	124	139
2 el.	54,71	62,10	65,99	91,36	99,37	110,13
W	88	128	140	208	248	278
3 el.	82,06	93,16	99,00	137,05	149,05	165,19
W	132	192	210	312	372	417
4 el.	109,41	124,22	131,99	182,74	198,73	220,25
W	176	256	280	416	496	556
5 el.	136,76	155,26	164,99	228,44	248,42	275,31
W	220	320	350	520	620	695
6 el.	164,12	186,32	197,97	274,11	298,11	330,38
W	264	384	420	624	744	834
7 el.	191,46	217,38	230,98	319,80	347,79	385,43
W	308	448	490	728	868	973
8 el.	218,82	248,42	263,97	365,49	397,47	440,50
W	352	512	560	832	992	1112
9 el.	246,17	279,49	296,97	411,18	447,17	495,56
W	396	576	630	936	1116	1251
10 el.	273,53	310,54	329,97	456,85	496,85	550,63
W	440	640	700	1040	1240	1390
11 el.	300,87	341,58	362,96	502,54	546,52	605,69
W	484	704	770	1144	1364	1529
12 el.	328,22	372,64	395,96	548,23	596,20	660,74
W	528	768	840	1248	1488	1668
13 el.	355,58	403,70	428,96	593,91	645,89	715,81
W	572	832	910	1352	1612	1807
14 el.	382,94	434,75	461,95	639,60	695,57	770,88
W	616	896	980	1456	1736	1946
15 el.	410,28	465,81	494,95	685,29	745,25	825,93
W	660	960	1050	1560	1860	2085
16 el.	437,63	496,87	527,95			
W	704	1024	1120			
17 el.	464,98	527,90	560,94			
W	748	1088	1190			
18 el.	492,35	558,96	593,93			
W	792	1152	1260			
19 el.	519,69	590,01	626,93			
W	836	1216	1330			
20 el.	547,04	621,08	659,93			
W	880	1280	1400			
21 el.	574,40	652,13	692,93			
W	924	1344	1470			
22 el.	601,75	683,19	725,92			
W	968	1408	1540			
23 el.	629,10	714,23	758,92			
W	1012	1472	1610			
24 el.	656,45	745,27	791,91			
W	1056	1536	1680			
25 el.	683,81	776,34	824,92			
W	1100	1600	1750			
26 el.	711,16	807,39	857,91			
W	1144	1664	1820			
27 el.	738,50	838,45	890,91			
W	1188	1728	1890			
28 el.	765,86	869,50	923,89			
W	1232	1792	1960			
29 el.	793,22	900,56	956,90			
W	1276	1856	2030			
30 el.	820,57	931,61	989,90			
W	1320	1920	2100			

BATTERIE COMBY LOFT | COMBY LOFT BATTERIES

3 colonne | 3 columns

EL.	ALTEZZE Heights													
	500	560 ^A	600	630	660 ^A	680 ^G	750	860 ^A	870 ^G	900	1000	1500	1800	2000
1 el.	31,89	30,58	26,87	32,98	26,94	28,26	29,70	32,44	32,46	33,85	37,27	60,73	70,38	75,92
W	52	58	62	65	68	70	75	86	87	89	98	142	168	185
2 el.	63,76	61,14	53,77	65,96	53,86	56,52	59,42	64,84	64,91	67,69	74,57	121,45	140,75	151,85
W	104	116	124	130	136	140	150	172	174	178	196	284	336	370
3 el.	95,65	91,73	80,63	98,94	80,80	84,78	89,12	97,27	97,36	101,55	111,85	182,18	211,13	227,77
W	156	174	186	195	204	210	225	258	261	267	294	426	504	555
4 el.	127,52	122,29	107,53	131,90	107,73	113,05	118,81	129,70	129,82	135,38	149,13	242,91	281,52	303,69
W	208	232	248	260	272	280	300	344	348	356	392	568	672	740
5 el.	159,41	152,87	134,41	164,88	134,67	141,30	148,52	162,12	162,27	169,23	186,41	303,64	351,89	379,60
W	260	290	310	325	340	350	375	430	435	445	490	710	840	925
6 el.	191,29	183,44	161,29	197,86	161,61	169,57	178,24	194,54	194,73	203,07	223,68	364,36	422,27	455,53
W	312	348	372	390	408	420	450	516	522	534	588	852	1008	1110
7 el.	223,17	214,01	188,18	230,84	188,53	197,83	207,94	226,96	227,18	236,92	260,97	425,09	492,66	531,45
W	364	406	434	455	476	490	525	602	609	623	686	994	1176	1295
8 el.	255,06	244,58	215,06	263,81	215,48	226,11	237,63	259,39	259,64	270,76	298,24	485,82	563,05	607,37
W	416	464	496	520	544	560	600	688	696	712	784	1136	1344	1480
9 el.	286,94	275,16	241,92	296,78	242,39	254,36	267,34	291,81	292,09	304,61	335,52	546,54	633,41	683,29
W	468	522	558	585	612	630	675	774	783	801	882	1278	1512	1665
10 el.	318,81	305,73	268,82	329,76	269,33	282,63	297,04	324,24	324,54	338,46	372,81	607,28	703,80	759,22
W	520	580	620	650	680	700	750	860	870	890	980	1420	1680	1850
11 el.	350,70	336,32	295,70	362,73	296,26	310,89	326,75	356,66	357,00	372,30	410,08	667,99	774,18	835,14
W	572	638	682	715	748	770	825	946	957	979	1078	1562	1848	2035
12 el.	382,58	366,87	322,58	395,71	323,19	339,14	356,45	389,10	389,46	406,14	447,37	728,72	844,55	911,06
W	624	696	744	780	816	840	900	1032	1044	1068	1176	1704	2016	2220
13 el.	414,47	397,45	349,47	428,69	350,14	367,41	386,15	421,51	421,91	439,98	484,65	789,44	914,94	986,98
W	676	754	806	845	884	910	975	1118	1131	1157	1274	1846	2184	2405
14 el.	446,36	428,03	376,33	461,67	377,06	395,68	415,85	453,94	454,37	473,83	521,92	850,17	985,31	1062,90
W	728	812	868	910	952	980	1050	1204	1218	1246	1372	1988	2352	2590
15 el.	478,23	458,60	403,22	494,64	404,01	423,94	445,56	486,36	486,82	507,69	559,22	910,89	1055,68	1138,82
W	780	870	930	975	1020	1050	1125	1290	1305	1335	1470	2130	2520	2775
16 el.	510,10	489,16	430,11	527,61	430,92	452,19	475,26	518,78	519,27	541,52	596,50			
W	832	928	992	1040	1088	1120	1200	1376	1392	1424	1568			
17 el.	541,99	519,75	457,00	560,59	457,86	480,45	504,97	551,20	551,73	575,38	633,77			
W	884	986	1054	1105	1156	1190	1275	1462	1479	1513	1666			
18 el.	573,87	550,31	483,87	593,57	484,80	508,72	534,67	583,64	584,18	609,21	671,05			
W	936	1044	1116	1170	1224	1260	1350	1548	1566	1602	1764			
19 el.	605,76	580,89	510,75	626,54	511,71	536,98	564,39	616,04	616,64	643,06	708,33			
W	988	1102	1178	1235	1292	1330	1425	1634	1653	1691	1862			
20 el.	637,63	611,47	537,63	659,53	538,66	565,24	594,08	648,47	649,10	676,90	745,62			
W	1040	1160	1240	1300	1360	1400	1500	1720	1740	1780	1960			
21 el.	669,52	642,03	564,51	692,48	565,59	593,51	623,78	680,91	681,54	710,76	782,89			
W	1092	1218	1302	1365	1428	1470	1575	1806	1827	1869	2058			
22 el.	701,40	672,61	591,41	725,48	592,52	621,75	653,48	713,33	714,00	744,60	820,19			
W	1144	1276	1364	1430	1496	1540	1650	1892	1914	1958	2156			
23 el.	733,28	703,19	618,28	758,45	619,46	650,04	683,20	745,74	746,46	778,44	857,46			
W	1196	1334	1426	1495	1564	1610	1725	1978	2001	2047	2254			
24 el.	765,17	733,74	645,16	791,42	646,38	678,30	712,89	778,16	778,91	812,28	894,73			
W	1248	1392	1488	1560	1632	1680	1800	2064	2088	2136	2352			
25 el.	797,05	764,34	672,04	824,40	673,33	706,57	742,59	810,60	811,37	846,13	932,02			
W	1300	1450	1550	1625	1700	1750	1875	2150	2175	2225	2450			
26 el.	828,93	794,90	698,92	857,38	700,25	734,81	772,30	843,01	843,82	879,98	969,30			
W	1352	1508	1612	1690	1768	1820	1950	2236	2262	2314	2548			
27 el.	860,81	825,48	725,81	890,35	727,19	763,08	802,01	875,44	876,26	913,83	1006,57			
W	1404	1566	1674	1755	1836	1890	2025	2322	2349	2403	2646			
28 el.	892,68	856,04	752,70	923,32	754,12	791,35	831,70	907,86	908,72	947,66	1043,86			
W	1456	1624	1736	1820	1904	1960	2100	2408	2436	2492	2744			
29 el.	924,57	886,62	779,57	956,30	781,05	819,60	861,42	940,30	941,17	981,52	1081,15			
W	1508	1682	1798	1885	1972	2030	2175	2494	2523	2581	2842			
30 el.	956,46	917,20	806,46	989,29	807,99	847,87	891,12	972,72	973,63	1015,35	1118,42			
W	1560	1740	1860	1950	2040	2100	2250	2580	2610	2670	2940			

BATTERIE COMBY LOFT | COMBY LOFT BATTERIES

4 colonne | 4 columns

EL.	ALTEZZE Heights													
	500	560 ^A	600	630	660 ^A	680 ^G	750	860 ^A	870 ^G	900	1000	1500	1800	2000
1 el.	34,52	35,55	31,76	37,77	33,14	33,11	35,88	37,96	38,65	40,70	44,18	70,39	81,44	91,12
W	68	76	80	84	88	91	99	113	114	117	129	184	217	238
2 el.	69,05	71,08	63,52	75,55	66,30	66,22	71,76	75,91	77,30	81,39	88,36	140,78	162,88	182,23
W	136	152	160	168	176	182	198	226	228	234	258	368	434	476
3 el.	103,56	106,62	95,28	113,31	99,44	99,33	107,64	113,87	115,95	122,09	132,55	211,18	244,34	273,35
W	204	228	240	252	264	273	297	339	342	351	387	552	651	714
4 el.	138,07	142,17	127,04	151,08	132,59	132,43	143,52	151,82	154,61	162,78	176,73	281,56	325,78	364,46
W	272	304	320	336	352	364	396	452	456	468	516	736	868	952
5 el.	172,61	177,70	158,80	188,86	165,77	165,56	179,40	189,78	193,25	203,48	220,92	351,95	407,21	455,57
W	340	380	400	420	440	455	495	565	570	585	645	920	1085	1190
6 el.	207,12	213,26	190,56	226,63	198,91	198,65	215,28	227,74	231,90	244,17	265,10	422,34	488,65	546,69
W	408	456	480	504	528	546	594	678	684	702	774	1104	1302	1428
7 el.	241,64	248,80	222,32	264,40	232,06	231,76	251,16	265,68	270,56	284,88	309,29	492,72	570,10	637,81
W	476	532	560	588	616	637	693	791	798	819	903	1288	1519	1666
8 el.	276,15	284,34	254,07	302,17	265,20	264,87	287,04	303,65	309,21	325,57	353,45	563,12	651,54	728,93
W	544	608	640	672	704	728	792	904	912	936	1032	1472	1736	1904
9 el.	310,68	319,88	285,84	339,94	298,34	297,98	322,92	341,60	347,86	366,26	397,64	633,51	732,98	820,04
W	612	684	720	756	792	819	891	1017	1026	1053	1161	1656	1953	2142
10 el.	345,20	355,43	317,60	377,72	331,49	331,08	358,80	379,55	386,52	406,96	441,83	703,89	814,43	911,16
W	680	760	800	840	880	910	990	1130	1140	1170	1290	1840	2170	2380
11 el.	379,72	390,97	349,35	415,49	364,63	364,20	394,68	417,51	425,16	447,65	486,01	774,28	895,88	1002,28
W	748	836	880	924	968	1001	1089	1243	1254	1287	1419	2024	2387	2618
12 el.	414,24	426,51												

RADIATORI GHISA
CAST IRON RADIATOR

LIBERTY | 316

COLONNINE | 322

E-100 | 328

LIBERTY



CARATTERISTICHE | TECHNICAL SPECS

Materiale: ghisa
Pressione Max d'esercizio: 6 bar
Temperatura Max d'esercizio: 95°C
Trattamento Esterno: verniciatura di fondo protettivo ad immersione

Material: cast iron
 Max working pressure: 6 bars
 Max working temperature: 95°C
 External treatment: protective dipping primer painting

FINITURE | FINISH

- Grigio ghisa naturale 9900 | Natural cast iron grey 9900
 (Es. GCLIB S **9900** 02 01 0510)
- Bianco RAL9010 | White RAL9010
 Finitura: lucido | Glossy finishing
 (Es. GCLIB S **9010** 02 01 0510)

ESEMPIO CREAZIONE CODICE BATTERIA EXAMPLE BATTERY CODE CREATION

GC LIB S 9900 02 07 0510

Batteria decorata, 2 colonne
 Decorated battery, 2 columns

Finitura: Grigio ghisa naturale
 Finish: Natural cast iron grey

2 colonne 7 elementi
 2 columns 7 elements

Altezza elementi laterali: 510 mm
 Lateral elements height: 510 mm

GCLIB S ... Batteria composta da elementi DECORATI da 2 colonne
 DECORATED battery consisting of 2 columns elements

GCLI2 S ... Batteria composta da elementi LISCI da 3 colonne
 PLAIN battery consisting of 3 columns elements

GCLI1 S ... Batteria composta da elementi DECORATI da 3 colonne
 DECORATED battery consisting of 3 columns elements

Fornito con 4 riduzioni da 1/2"
 Assemblato in batterie fino a max 20 elementi.
Sempre inclusi elementi laterali con piedini.

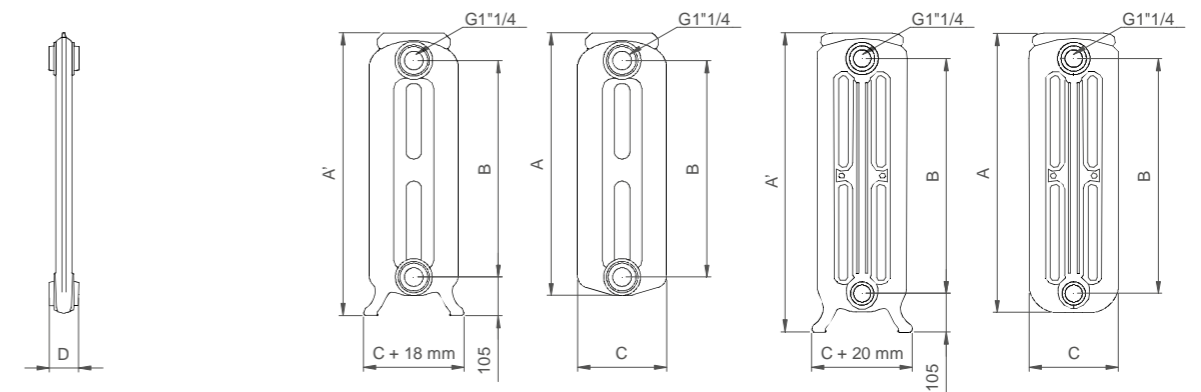
Per batterie di lunghezza superiore a 14 el. verrà aggiunto un elemento con piedino intermedio nel mezzo. Pertanto si consiglia, per batterie con più di 14 el., di ordinarne un numero dispari, in modo che l'elemento con piedino aggiuntivo cada al centro della batteria.

Supplied with 4 1/2" reductions
 Assembled in batteries up to max 20 elements.

Side feet included.
 For batteries longer than 14 el. an element with intermediate foot in the middle will be added. Therefore it is recommended, for batteries with more than 14 el., to order an odd number, so that the element with additional foot falls in the center of the battery.

LIBERTY

Codice Code	Tipo Type	N° colonne N° columns	A' mm	A mm	B mm	C mm	D mm	KG	LT	WΔT 30°C	WΔT 40°C	WΔT 50°C	€ 9900	€ RAL9010
			Altezza laterali Lateral height	Altezza intermedi Middle height	Interasse Centre to centre distance	Profondità Depth	Larghezza Width							
Elementi intermedi senza piedini e laterali con piedini Intermediate elements without feet and side elements with feet														
GCLIB S ... 02 01 0510	Decorato Decorated	2	510	445	350	185	76	7,9	1,83	39	56	74	265,09	318,12
GCLIB S ... 02 01 0660	Decorato Decorated	2	660	595	500	185	76	10,5	2,3	55	79	104	265,09	318,12
GCLIB S ... 02 01 0760	Decorato Decorated	2	760	695	605	185	76	11	2,6	64	92	121	302,56	363,05
GCLIB S ... 02 01 0950	Decorato Decorated	2	950	885	795	185	76	13,4	3,3	80	114	151	489,81	587,77
GCLI2 S ... 03 01 0760	Liscio Plain	3	760	690	582	230	78	11	2,3	73	104	138	547,42	656,92
GCLI2 S ... 03 01 0950	Liscio Plain	3	950	890	782	230	78	13,9	2,8	96	138	182	619,44	743,34
GCLI1 S ... 03 01 0760	Decorato Decorated	3	760	690	582	230	78	11	2,3	73	104	138	547,42	656,92
GCLI1 S ... 03 01 0950	Decorato Decorated	3	950	890	782	230	78	13,9	2,8	96	138	182	619,44	743,34

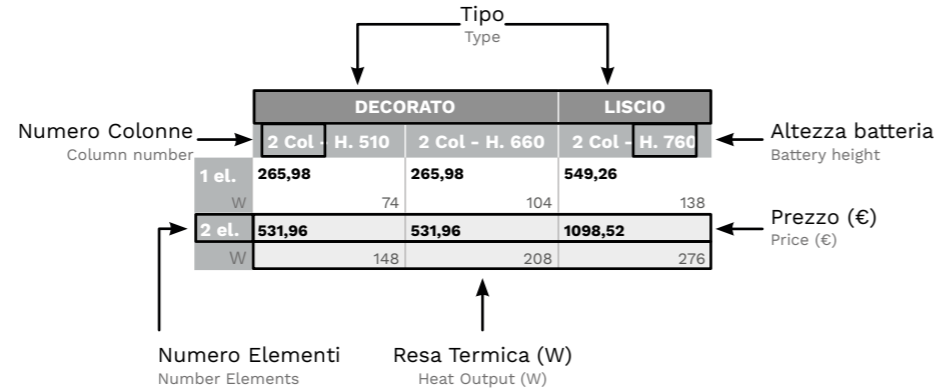


[TORNA ALL'INDICE](#)
[BACK TO INDEX](#)

BATTERIE LIBERTY | LIBERTY BATTERIES



COME LEGGERE LA TABELLA
HOW TO READ THE TABLE



Batteria in finitura 9900 - Grigio ghisa naturale | Battery in 9900 finish - Natural cast iron grey

EL.	ALTEZZE Heights							
	DECORATO				LISCIO		DECORATO	
	2 Col - H. 510	2 Col - H. 660	2 Col - H. 760	2 Col - H. 950	3 Col - H. 760	3 Col - H. 950	3 Col - H. 760	3 Col - H. 950
3 el.	795,25	795,25	907,61	1469,43	1642,25	1858,36	1642,25	1858,36
W	222	312	363	453	414	546	414	546
4 el.	1060,34	1060,34	1210,13	1959,22	2189,67	2477,82	2189,67	2477,82
W	296	416	484	604	552	728	552	728
5 el.	1325,43	1325,43	1512,68	2449,03	2737,08	3097,27	2737,08	3097,27
W	370	520	605	755	690	910	690	910
6 el.	1590,53	1590,53	1815,21	2938,83	3284,48	3716,71	3284,48	3716,71
W	444	624	726	906	828	1092	828	1092
7 el.	1855,62	1855,62	2117,76	3428,64	3831,90	4336,17	3831,90	4336,17
W	518	728	847	1057	966	1274	966	1274
8 el.	2120,72	2120,72	2420,26	3918,44	4379,30	4955,64	4379,30	4955,64
W	592	832	968	1208	1104	1456	1104	1456
9 el.	2385,78	2385,78	2722,81	4408,27	4926,74	5575,07	4926,74	5575,07
W	666	936	1089	1359	1242	1638	1242	1638
10 el.	2650,88	2650,88	3025,35	4898,07	5474,14	6194,54	5474,14	6194,54
W	740	1040	1210	1510	1380	1820	1380	1820
11 el.	2915,95	2915,95	3327,89	5387,88	6021,56	6813,99	6021,56	6813,99
W	814	1144	1331	1661	1518	2002	1518	2002
12 el.	3181,04	3181,04	3630,43	5877,67	6568,99	7433,43	6568,99	7433,43
W	888	1248	1452	1812	1656	2184	1656	2184
13 el.	3446,13	3446,13	3932,95	6367,48	7116,39	8052,90	7116,39	8052,90
W	962	1352	1573	1963	1794	2366	1794	2366
14 el.	3711,21	3711,21	4235,50	6857,28	7663,82	8672,34	7663,82	8672,34
W	1036	1456	1694	2114	1932	2548	1932	2548
15 el.	3976,30	3976,30	4538,02	7347,10	8211,24	9291,81	8211,24	9291,81
W	1110	1560	1815	2265	2070	2730	2070	2730
17 el.	4506,50	4506,50	5143,10	8326,71	9306,07	10530,70	9306,07	10530,70
W	1258	1768	2057	2567	2346	3094	2346	3094
19 el.	5036,67	5036,67	5748,15	9306,32	10400,88	11769,62	10400,88	11769,62
W	1406	1976	2299	2869	2622	3458	2622	3458
20 el.	5301,75	5301,75	6050,71	9796,13	10948,31	12389,05	10948,31	12389,05
W	1480	2080	2420	3020	2760	3640	2760	3640

BATTERIE LIBERTY | LIBERTY BATTERIES

Batteria in finitura 9010 - Bianco lucido | Battery in 9010 finish - Glossy white

EL.	ALTEZZE Heights							
	DECORATO				LISCIO		DECORATO	
	2 Col - H. 510	2 Col - H. 660	2 Col - H. 760	2 Col - H. 950	3 Col - H. 760	3 Col - H. 950	3 Col - H. 760	3 Col - H. 950
3 el.	954,30	954,30	1089,14	1763,31	1970,71	2230,01	1970,71	2230,01
W	222	312	363	453	414	546	414	546
4 el.	1272,40	1272,40	1452,18	2351,08	2627,61	2973,36	2627,61	2973,36
W	296	416	484	604	552	728	552	728
5 el.	1590,51	1590,51	1815,23	2938,83	3284,52	3716,69	3284,52	3716,69
W	370	520	605	755	690	910	690	910
6 el.	1908,61	1908,61	2178,30	3526,60	3941,39	4460,02	3941,39	4460,02
W	444	624	726	906	828	1092	828	1092
7 el.	2226,72	2226,72	2541,33	4114,39	4598,30	5203,35	4598,30	5203,35
W	518	728	847	1057	966	1274	966	1274
8 el.	2544,82	2544,82	2904,39	4702,14	5255,21	5946,69	5255,21	5946,69
W	592	832	968	1208	1104	1456	1104	1456
9 el.	2862,91	2862,91	3267,42	5289,91	5912,10	6690,04	5912,10	6690,04
W	666	936	1089	1359	1242	1638	1242	1638
10 el.	3181,02	3181,02	3630,48	5877,67	6569,01	7433,37	6569,01	7433,37
W	740	1040	1210	1510	1380	1820	1380	1820
11 el.	3499,12	3499,12	3993,53	6465,44	7225,91	8176,72	7225,91	8176,72
W	814	1144	1331	1661	1518	2002	1518	2002
12 el.	3817,21	3817,21	4356,57	7053,22	7882,83	8920,06	7882,83	8920,06
W	888	1248	1452	1812	1656	2184	1656	2184
13 el.	4135,31	4135,31	4719,62	7640,98	8539,71	9663,39	8539,71	9663,39
W	962	1352	1573	1963	1794	2366	1794	2366
14 el.	4453,42	4453,42	5082,67	8228,74	9196,63	10406,74	9196,63	10406,74
W	1036	1456	1694	2114	1932	2548	1932	2548
15 el.	4771,53	4771,53	5445,71	8816,51	9853,53	11150,07	9853,53	11150,07
W	1110	1560	1815	2265	2070	2730	2070	2730
17 el.	5407,73	5407,73	6171,82	9992,05	11167,31	12636,76	11167,31	12636,76
W	1258	1768	2057	2567	2346	3094	2346	3094
19 el.	6043,93	6043,93	6897,91	11167,58	12481,12	14123,42	12481,12	14123,42
W	1406	1976	2299	2869	2622	3458	2622	3458
20 el.	6362,03	6362,03	7260,98	11755,35	13138,01	14866,75	13138,01	14866,75
W	1480	2080	2420	3020	2760	3640	2760	3640

COLONNINE



CARATTERISTICHE | TECHNICAL SPECS

Materiale: ghisa
 Pressione Max d'esercizio: 6 bar
 Temperatura Max d'esercizio: 95°C
 Trattamento Esterno: verniciatura di fondo protettivo

Material: cast iron
 Max working pressure: 6 bars
 Max working temperature: 95°C
 External treatment: protective primer painting

Fondo protettivo 9900 | Rust background 9900
 (Es. GCCOL S 9900 04 01 0280)

Bianco RAL9010 | White RAL9010
 Finitura: lucido | Glossy finishing
 (Es. GCCOL S 9010 04 01 0280)

TIPOLOGIA DI FORNITURA | SUPPLY MODE

(Es. GCCOL S 9900 04 01 0280 | GCCOL S 9010 04 01 0280)

Assemblato in batterie fino a max 20 el.

Per batterie combinate (intermedi+laterali) di lunghezza superiore a 14 el. verrà aggiunto un elemento con piedino intermedio nel mezzo. Pertanto si consiglia, per batterie con più di 14 el., di ordinarne un numero dispari, in modo che l'elemento con piedino aggiuntivo cada al centro della batteria.

Assembled in batteries up to max 20 el.
 For combined batteries (intermediate + side) longer than 14 el. an element with intermediate foot in the middle will be added. Therefore it is recommended, for batteries with more than 14 el., to order an odd number, so that the element with additional foot falls in the center of the battery.

(Es. GCCOL W 9900 04 01 0280 | GCCOL W 9010 04 01 0280
 GCCOC W 9900 04 03 0280 | GCCOC W 9010 04 03 0280)

Fornitura e montaggio in fabbrica di 4 riduzioni da 1/2" con tappino e valvolina, per ogni batteria +7% rispetto al prezzo del prodotto grezzo (finitura 9900)

Factory supply and assembly of 4 1/2" reductions with plug and valve, for each battery +7% compared to the price of the raw product (9900 finish)

ESEMPIO CREAZIONE CODICE BATTERIA SOSPESA EXAMPLE FLOATING BATTERY CODE CREATION

GC COL S 9900 04 07 0420

Batteria SOSPESA FLOATING battery
 Fornitura Supply
 Fondo protettivo Rust background
 4 colonne 4 columns
 7 elementi 7 elements
 Altezza: 415 mm
 Height: 415 mm

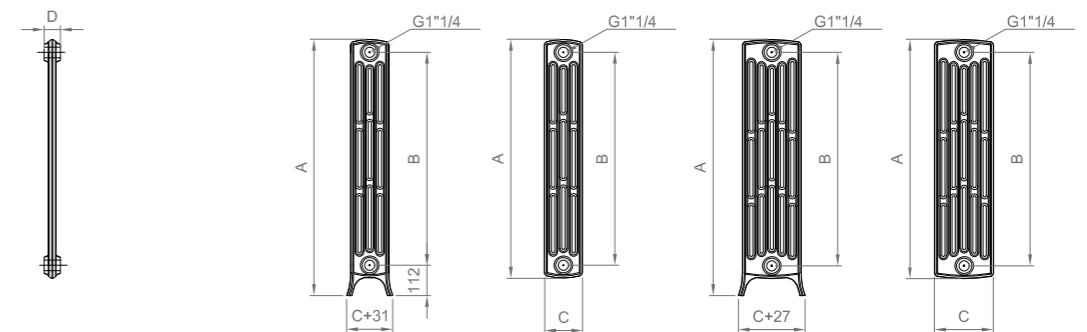
ESEMPIO CREAZIONE CODICE BATTERIA COMPLETA (intermedi GCCOL... +laterali GCCOP...) EXAMPLE COMPLETED BATTERY CODE CREATION (intermediate GCCOL... + lateral GCCOP...)

GC COC S 9900 04 07 0420

Batteria COMPLETA COMPLETED battery
 Fornitura Supply
 Fondo protettivo Rust background
 4 colonne 4 columns
 7 elementi 7 elements
 Altezza elementi laterali: 475 mm
 Lateral elements height: 475 mm

COLONNINE

Codice Code	Tipo Type	A mm	B mm	C mm	D mm	KG	LT	WΔT 30°C	WΔT 40°C	WΔT 50°C	€ 9900	€ RAL9010
		Altezza Height	Interasse Centre to centre distance	Profondità Depth	Larghezza Width							
Elementi intermedi senza piedini Middle sections without feet												
GCCOL S ... 04 01 0280	4/300	295	200	144	60	2,4	0,6	24	35	46	89,90	107,88
GCCOL S ... 04 01 0420	4/415	415	315	144	60	3,5	0,7	33	47	62	114,82	137,75
GCCOL S ... 04 01 0600	4/600	600	500	144	60	5,4	0,9	49	70	93	117,23	140,66
GCCOL S ... 04 01 0700	4/700	700	600	144	60	6,4	1,0	54	78	103	118,32	141,94
GCCOL S ... 04 01 0900	4/900	899	800	144	60	7,7	1,2	70	100	132	138,31	165,98
GCCOL S ... 06 01 0480	6/480	425	350	221	60	6,1	0,8	56	80	106	145,25	174,27
GCCOL S ... 06 01 0600	6/600	600	500	223	60	8,5	1,2	70	100	132	181,54	217,85
GCCOL S ... 06 01 0700	6/700	700	600	223	60	9,5	1,4	80	114	151	186,68	224,02
GCCOL S ... 06 01 0900	6/900	899	800	223	60	12,8	1,6	104	149	197	221,29	265,54
Elementi laterali con piedino Foot sections with feet												
GCCOP S ... 04 01 0280	4/300	360	200	144	60	2,9	0,6	24	35	46	108,56	130,26
GCCOP S ... 04 01 0420	4/415	475	315	144	60	4,0	0,7	33	47	62	130,00	156,03
GCCOP S ... 04 01 0600	4/600	660	500	144	60	5,5	0,9	49	70	93	217,84	261,40
GCCOP S ... 04 01 0700	4/700	760	600	144	60	6,5	1,0	54	78	103	217,84	261,40
GCCOP S ... 04 01 0900	4/900	960	800	144	60	7,9	1,2	70	100	132	234,09	280,91
GCCOP S ... 06 01 0480	6/480	485	350	221	60	6,2	0,8	56	80	106	280,04	336,06
GCCOP S ... 06 01 0600	6/600	660	500	223	60	8,6	1,2	70	100	132	300,80	360,99
GCCOP S ... 06 01 0700	6/700	760	600	223	60	9,7	1,4	80	114	151	307,74	369,27
GCCOP S ... 06 01 0900	6/900	960	800	223	60	13,0	1,6	104	149	197	321,52	385,81
Codici per batterie complete (intermedi GCCOL... +laterali GCCOP...) per i dati tecnici e prezzo consultare le tabelle sopra Part numbers for completed batteries (intermediate GCCOL... + lateral GCCOP...) for technical data and price see the tables above												
GCCOC S ... 04 ... 0280	4/300											
GCCOC S ... 04 ... 0420	4/415											
GCCOC S ... 04 ... 0600	4/600											
GCCOC S ... 04 ... 0700	4/700											
GCCOC S ... 04 ... 0900	4/900											
GCCOC S ... 06 ... 0480	6/480											
GCCOC S ... 06 ... 0600	6/600											
GCCOC S ... 06 ... 0700	6/700											
GCCOC S ... 06 ... 0900	6/900											

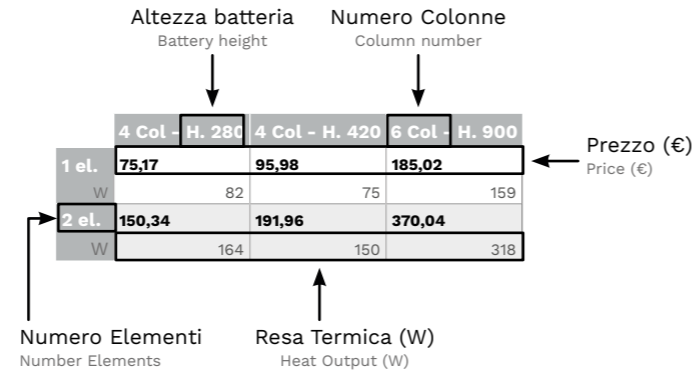


TORNA ALL'INDICE
 BACK TO INDEX

BATTERIE SOSPese COLONNINE | COLONNINE FLOATING BATTERIES



COME LEGGERE LA TABELLA
HOW TO READ THE TABLE



Batteria in finitura 9900 - Fondo Protettivo | Battery in 9900 finish - Rust background

EL.	ALTEZZE Heights								
	4 Col - H. 280	4 Col - H. 420	4 Col - H. 600	4 Col - H. 700	4 Col - H. 900	6 Col - H. 480	6 Col - H. 600	6 Col - H. 700	6 Col - H. 900
1 el.	89,90	114,82	117,23	118,32	138,31	145,25	181,54	186,68	221,29
W	82	75	87	108	91	112	133	132	159
2 el.	179,78	229,62	234,44	236,58	276,64	290,45	363,10	373,38	442,57
W	164	150	174	216	182	224	266	264	318
3 el.	269,69	344,44	351,67	354,90	414,95	435,70	544,63	560,04	663,88
W	246	225	261	324	273	336	399	396	477
4 el.	359,58	459,23	468,89	473,17	553,26	580,91	726,14	746,75	885,18
W	328	300	348	432	364	448	532	528	636
5 el.	449,48	574,02	586,12	591,46	691,59	726,14	907,70	933,42	1106,48
W	410	375	435	540	455	560	665	660	795
6 el.	539,36	688,83	703,32	709,75	829,92	871,40	1089,23	1120,09	1327,79
W	492	450	522	648	546	672	798	792	954
7 el.	629,26	803,63	820,56	828,04	968,23	1016,62	1270,79	1306,79	1549,08
W	574	525	609	756	637	784	931	924	1113
8 el.	719,15	918,44	937,79	946,33	1106,54	1161,87	1452,32	1493,47	1770,38
W	656	600	696	864	728	896	1064	1056	1272
9 el.	809,05	1033,24	1054,99	1064,63	1244,85	1307,08	1633,86	1680,16	1991,65
W	738	675	783	972	819	1008	1197	1188	1431
10 el.	898,93	1148,06	1172,22	1182,91	1383,16	1452,32	1815,40	1866,84	2212,95
W	820	750	870	1080	910	1120	1330	1320	1590
11 el.	988,84	1262,87	1289,44	1301,21	1521,49	1597,56	1996,96	2053,51	2434,26
W	902	825	957	1188	1001	1232	1463	1452	1749
12 el.	1078,73	1377,68	1406,65	1419,50	1659,80	1742,76	2178,48	2240,22	2655,55
W	984	900	1044	1296	1092	1344	1596	1584	1908
13 el.	1168,63	1492,49	1523,87	1537,79	1798,11	1888,01	2360,01	2426,89	2876,83
W	1066	975	1131	1404	1183	1456	1729	1716	2067
14 el.	1258,51	1607,28	1641,11	1656,08	1936,43	2033,23	2541,55	2613,58	3098,12
W	1148	1050	1218	1512	1274	1568	1862	1848	2226
15 el.	1348,41	1722,08	1758,32	1774,36	2074,76	2178,48	2723,09	2800,26	3319,44
W	1230	1125	1305	1620	1365	1680	1995	1980	2385
16 el.	1438,30	1836,90	1875,55	1892,65	2213,07	2323,70	2904,63	2986,95	3540,72
W	1312	1200	1392	1728	1456	1792	2128	2112	2544
17 el.	1528,22	1951,70	1992,78	2010,95	2351,40	2468,93	3086,18	3173,64	3762,03
W	1394	1275	1479	1836	1547	1904	2261	2244	2703
18 el.	1618,08	2066,51	2110,00	2129,23	2489,72	2614,19	3267,71	3360,30	3983,32
W	1476	1350	1566	1944	1638	2016	2394	2376	2862
19 el.	1707,99	2181,31	2227,21	2247,53	2628,03	2759,40	3449,26	3547,01	4204,64
W	1558	1425	1653	2052	1729	2128	2527	2508	3021
20 el.	1797,88	2296,12	2344,43	2365,82	2766,35	2904,63	3630,80	3733,67	4425,92
W	1640	1500	1740	2160	1820	2240	2660	2640	3180

BATTERIE SOSPese COLONNINE | COLONNINE FLOATING BATTERIES

Batteria in finitura 9010 - Bianco lucido | Battery in 9010 finish - Glossy white

EL.	ALTEZZE Heights								
	4 Col - H. 280	4 Col - H. 420	4 Col - H. 600	4 Col - H. 700	4 Col - H. 900	6 Col - H. 480	6 Col - H. 600	6 Col - H. 700	6 Col - H. 900
1 el.	107,88	137,75	140,66	141,94	165,98	174,27	217,85	224,02	265,54
W	82	75	87	108	91	112	133	132	159
2 el.	215,76	275,53	281,36	283,91	331,95	348,54	435,70	448,05	531,11
W	164	150	174	216	182	224	266	264	318
3 el.	323,61	413,30	422,01	425,84	497,93	522,82	653,54	672,06	796,66
W	246	225	261	324	273	336	399	396	477
4 el.	431,50	551,08	562,67	567,80	663,93	697,09	871,40	896,08	1062,22
W	328	300	348	432	364	448	532	528	636
5 el.	539,36	688,83	703,32	709,75	829,92	871,36	1089,23	1120,09	1327,79
W	410	375	435	540	455	560	665	660	795
6 el.	647,24	826,61	843,98	851,71	995,88	1045,65	1307,08	1344,14	1593,34
W	492	450	522	648	546	672	798	792	954
7 el.	755,10	964,37	984,66	993,66	1161,87	1219,93	1524,93	1568,15	1858,89
W	574	525	609	756	637	784	931	924	1113
8 el.	862,97	1102,15	1125,32	1135,59	1327,85	1394,21	1742,76	1792,16	2124,44
W	656	600	696	864	728	896	1064	1056	1272
9 el.	970,84	1239,90	1266,02	1277,55	1493,81	1568,48	1960,63	2016,20	2389,99
W	738	675	783	972	819	1008	1197	1188	1431
10 el.	1078,73	1377,68	1406,65	1419,50	1659,80	1742,74	2178,48	2240,22	2655,55
W	820	750	870	1080	910	1120	1330	1320	1590
11 el.	1186,60	1515,43	1547,32	1561,46	1825,77	1917,02	2396,33	2464,24	2921,09
W	902	825	957	1188	1001	1232	1463	1452	1749
12 el.	1294,48	1653,19	1688,01	1703,40	1991,76	2091,28	2614,19	2688,28	3186,64
W	984	900	1044	1296	1092	1344	1596	1584	1908
13 el.	1402,34	1790,98	1828,64	1845,33	2157,74	2265,57	2832,01	2912,26	3452,22
W	1066	975	1131	1404	1183	1456	1729	1716	2067
14 el.	1510,22	1928,76	1969,32	1987,29	2323,73	2439,84	3049,87	3136,29	3717,77
W	1148	1050	1218	1512	1274	1568	1862	1848	2226
15 el.	1618,08	2066,51	2110,00	2129,23	2489,72	2614,13	3267,71	3360,30	3983,32
W	1230	1125	1305	1620	1365	1680	1995	1980	2385
16 el.	1725,97	2204,27	2250,65	2271,20	2655,68	2788,40	3485,56	3584,35	4248,88
W	1312	1200	1392	1728	1456	1792	2128	2112	2544
17 el.	1833,84	2342,05	2391,31	2413,14	2821,67	2962,67	3703,42	3808,38	4514,42
W	1394	1275	1479	1836	1547	1904	2261	2244	2703
18 el.	1941,70	2479,81	2531,98	2555,08	2987,64	3136,93	3921,24	4032,38	4780,01
W	1476	1350	1566	1944	1638	2016	2394	2376	2862
19 el.	2049,57	2617,58	2672,68	2697,04	3153,62	3311,20	4139,11	4256,42	5045,55
W	1558	1425	1653	2052	1729	2128	2527	2508	3021
20 el.	2157,45	2755,32	2813,32	2838,98	3319,59	3485,50	4356,96	4480,43	5311,08
W	1640	1500	1740	2160	1820	2240	2660	2640	3180

BATTERIE COMPLETE COLONNINE | COLONNINE COMPLETED BATTERIES

Batteria in finitura 9900 - Fondo Protettivo | Battery in 9900 finish - Rust background

EL.	ALTEZZE Heights									
	4 Col - H. 280	4 Col - H. 420	4 Col - H. 600	4 Col - H. 700	4 Col - H. 900	6 Col - H. 480	6 Col - H. 600	6 Col - H. 700	6 Col - H. 900	
3 el.	307,01	374,86	552,86	553,96	606,49	705,32	783,14	802,12	864,33	
W	138	186	279	309	396	318	396	453	591	
4 el.	396,90	489,64	670,09	672,24	744,81	850,55	964,71	988,81	1085,61	
W	184	248	372	412	528	424	528	604	788	
5 el.	486,79	604,46	787,32	790,54	883,14	995,79	1146,23	1175,50	1306,93	
W	230	310	465	515	660	530	660	755	985	
6 el.	576,68	719,27	904,54	908,82	1021,45	1141,02	1327,79	1362,19	1528,23	
W	276	372	558	618	792	636	792	906	1182	
7 el.	666,58	834,05	1021,76	1027,11	1159,79	1286,24	1509,31	1548,88	1749,51	
W	322	434	651	721	924	742	924	1057	1379	
8 el.	756,46	948,86	1138,99	1145,40	1298,10	1431,49	1690,85	1735,54	1970,80	
W	368	496	744	824	1056	848	1056	1208	1576	
9 el.	846,36	1063,67	1256,22	1263,69	1436,41	1576,71	1872,41	1922,22	2192,09	
W	414	558	837	927	1188	954	1188	1359	1773	
10 el.	936,25	1178,49	1373,42	1381,98	1574,73	1721,94	2053,95	2108,91	2413,40	
W	460	620	930	1030	1320	1060	1320	1510	1970	
11 el.	1026,16	1293,30	1490,65	1500,28	1713,04	1867,18	2235,47	2295,60	2634,69	
W	506	682	1023	1133	1452	1166	1452	1661	2167	
12 el.	1116,04	1408,11	1607,88	1618,56	1851,35	2012,41	2417,03	2482,29	2855,99	
W	552	744	1116	1236	1584	1272	1584	1812	2364	
13 el.	1205,94	1522,90	1725,10	1736,86	1989,68	2157,64	2598,54	2668,98	3077,29	
W	598	806	1209	1339	1716	1378	1716	1963	2561	
14 el.	1295,84	1637,71	1842,32	1855,15	2127,99	2302,88	2780,09	2855,64	3298,57	
W	644	868	1302	1442	1848	1484	1848	2114	2758	
15 el.	1404,38	1767,74	2060,15	2072,99	2362,08	2582,90	3080,90	3163,38	3620,09	
W	690	930	1395	1545	1980	1590	1980	2265	2955	
17 el.	1584,17	1997,34	2294,58	2309,57	2638,72	2873,40	3443,98	3536,75	4062,68	
W	782	1054	1581	1751	2244	1802	2244	2567	3349	
19 el.	1763,96	2226,95	2529,02	2546,15	2915,35	3163,84	3807,06	3910,12	4505,27	
W	874	1178	1767	1957	2508	2014	2508	2869	3743	
20 el.	1853,86	2341,77	2646,27	2664,42	3053,66	3309,07	3988,60	4096,79	4726,59	
W	920	1240	1860	2060	2640	2120	2640	3020	3940	

BATTERIE COMPLETE COLONNINE | COLONNINE COMPLETED BATTERIES

Batteria in finitura 9010 - Bianco lucido | Battery in 9010 finish - Glossy white

EL.	ALTEZZE Heights									
	4 Col - H. 280	4 Col - H. 420	4 Col - H. 600	4 Col - H. 700	4 Col - H. 900	6 Col - H. 480	6 Col - H. 600	6 Col - H. 700	6 Col - H. 900	
3 el.	368,40	449,81	663,45	664,74	727,80	846,38	939,79	962,56	1037,20	
W	138	186	279	309	396	318	396	453	591	
4 el.	476,29	587,60	804,13	806,70	893,76	1020,67	1157,63	1186,58	1302,75	
W	184	248	372	412	528	424	528	604	788	
5 el.	584,16	725,37	944,79	948,66	1059,77	1194,95	1375,46	1410,60	1568,30	
W	230	310	465	515	660	530	660	755	985	
6 el.	692,04	863,12	1085,47	1090,60	1225,74	1369,21	1593,34	1634,62	1833,85	
W	276	372	558	618	792	636	792	906	1182	
7 el.	799,90	1000,86	1226,11	1232,52	1391,73	1543,50	1811,16	1858,65	2099,41	
W	322	434	651	721	924	742	924	1057	1379	
8 el.	907,77	1138,65	1366,80	1374,47	1557,71	1717,79	2029,03	2082,65	2364,97	
W	368	496	744	824	1056	848	1056	1208	1576	
9 el.	1015,64	1276,41	1507,46	1516,43	1723,69	1892,05	2246,88	2306,67	2630,53	
W	414	558	837	927	1188	954	1188	1359	1773	
10 el.	1123,53	1414,17	1648,10	1658,37	1889,67	2066,33	2464,72	2530,70	2896,08	
W	460	620	930	1030	1320	1060	1320	1510	1970	
11 el.	1231,40	1551,94	1788,79	1800,33	2055,65	2240,62	2682,58	2754,71	3161,63	
W	506	682	1023	1133	1452	1166	1452	1661	2167	
12 el.	1339,26	1689,71	1929,45	1942,27	2221,62	2414,88	2900,41	2978,73	3427,18	
W	552	744	1116	1236	1584	1272	1584	1812	2364	
13 el.	1447,14	1827,50	2070,12	2084,22	2387,60	2589,16	3118,26	3202,77	3692,74	
W	598	806	1209	1339	1716	1378	1716	1963	2561	
14 el.	1555,00	1965,27	2210,77	2226,18	2553,56	2763,44	3336,11	3426,80	3958,29	
W	644	868	1302	1442	1848	1484	1848	2114	2758	
15 el.	1685,27	2121,27	2472,19	2487,58	2834,49	3099,51	3697,11	3796,04	4344,09	
W	690	930	1395	1545	1980	1590	1980	2265	2955	
17 el.	1901,00	2396,78	2753,49	2771,49	3166,46	3448,04	4132,77	4244,10	4875,23	
W	782	1054	1581	1751	2244	1802	2244	2567	3349	
19 el.	2116,74	2672,34	3034,83	3055,38	3498,41	3796,59	4568,47	4692,15	5406,34	
W	874	1178	1767	1957	2508	2014	2508	2869	3743	
20 el.	2224,63	2810,11	3175,50	3197,33	3664,38	3970,89	4786,33	4916,16	5671,90	
W	920	1240	1860	2060	2640	2120	2640	3020	3940	

E-100



CARATTERISTICHE | TECHNICAL SPECS

Materiale: ghisa
Pressione Max d'esercizio: 6 bar
Temperatura Max d'esercizio: 95°C
Trattamento Esterno: verniciatura di fondo protettivo

Material: cast iron
 Max working pressure: 6 bars
 Max working temperature: 95°C
 External treatment: protective primer painting

Fondo protettivo 9900 | Rust background 9900
 (Es. GPE10 S 9900 02 01 0880)

Bianco RAL9010 | White RAL9010
 Finitura: lucido | Glossy finishing
 (Es. GPE10 S 9010 02 01 0880)

TIPOLOGIA DI FORNITURA | SUPPLY MODE

(Es. GPE10 S 9900 02 01 0880 | GPE10 S 9010 02 01 0880)

Assemblabili da 1 a 20 elementi
 Joinable from 1 to 20 elements

(Es. GPE10 W 9900 02 01 0880 | GPE10 W 9010 02 01 0880)

Fornitura e montaggio in fabbrica di 4 riduzioni da 1/2" con tappino e valvolina, per ogni batteria +7% rispetto al prezzo del prodotto grezzo (finitura 9900)

Factory supply and assembly of 4 1/2" reductions with plug and valve, for each battery +7% compared to the price of the raw product (9900 finish)

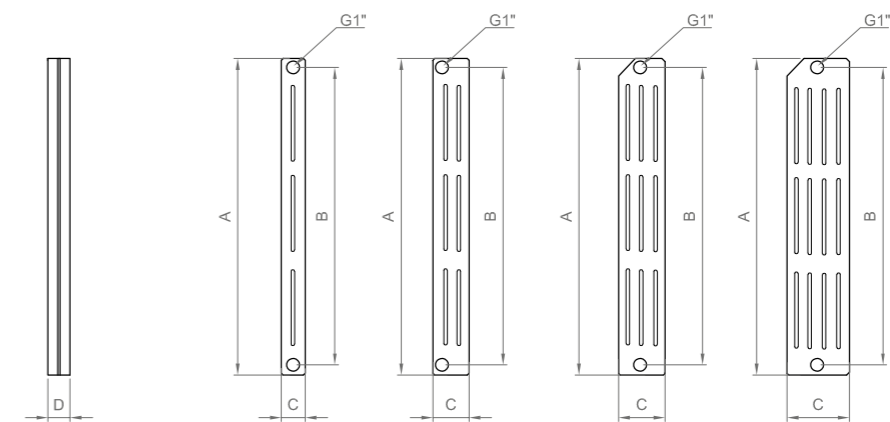
ESEMPIO CREAZIONE CODICE BATTERIA
 EXAMPLE BATTERY CODE CREATION

GP E10 **S** **9900** **02** **07** **0880**

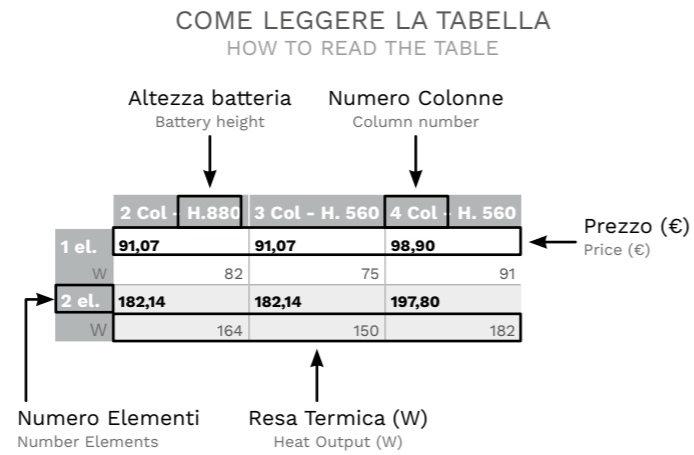
Fornitura Supply	Fondo protettivo Rust background	2 colonne 2 columns	7 elementi 7 elements	Altezza: 880 mm Height: 880 mm
---------------------	---	------------------------	--------------------------	---

E-100

Codice Code	Tipo Type	A mm	B mm	C mm	D mm	KG	LT	WΔT 30°C	WΔT 40°C	WΔT 50°C	€ 9900	€ RAL9010
		Altezza Height	Interasse Centre to centre distance	Profondità Depth	Larghezza Width							
GPE10 S ... 02 01 0880	2/880	880	813	65	60	5,2	0,7	43	62	82	108,92	130,71
GPE10 S ... 03 01 0560	3/560	560	500	95	60	5,0	0,7	40	57	75	108,92	141,94
GPE10 S ... 03 01 0690	3/690	690	623	95	60	6,2	0,8	46	66	87	101,98	139,81
GPE10 S ... 03 01 0880	3/880	880	813	95	60	7,8	1,0	57	82	108	117,58	172,64
GPE10 S ... 04 01 0560	4/560	560	500	130	60	6,2	0,9	48	69	91	118,32	141,94
GPE10 S ... 04 01 0690	4/690	690	623	130	60	7,8	1,0	59	85	112	116,51	139,81
GPE10 S ... 04 01 0880	4/880	880	813	130	60	9,8	1,2	70	101	133	143,86	172,64
GPE10 S ... 05 01 0690	5/690	690	623	175	60	8,9	1,2	70	100	132	172,59	207,07
GPE10 S ... 05 01 0880	5/880	880	813	175	60	12,1	1,4	84	120	159	202,96	243,54



E-100



Batteria in finitura 9900 - Fondo Protettivo | Battery in 9900 finish - Rust background

EL.	ALTEZZE Heights									
	2 Col - H.880	3 Col - H. 560	3 Col - H. 690	3 Col - H. 880	4 Col - H. 560	4 Col - H. 690	4 Col - H. 880	5 Col - H. 690	5 Col - H. 880	
1 el.	108,92	108,92	101,98	117,58	118,32	116,51	143,86	172,59	202,96	
W	82	75	87	108	91	112	133	132	159	
2 el.	217,81	217,81	203,98	235,18	236,58	233,00	287,73	345,12	405,90	
W	164	150	174	216	182	224	266	264	318	
3 el.	326,71	326,71	305,96	352,79	354,90	349,51	431,61	517,68	608,86	
W	246	225	261	324	273	336	399	396	477	
4 el.	435,61	435,61	407,96	470,37	473,17	466,01	575,45	690,23	811,78	
W	328	300	348	432	364	448	532	528	636	
5 el.	544,53	544,53	509,97	587,95	591,46	582,51	719,34	862,82	1014,75	
W	410	375	435	540	455	560	665	660	795	
6 el.	653,43	653,43	611,94	705,55	709,75	699,02	863,19	1035,35	1217,69	
W	492	450	522	648	546	672	798	792	954	
7 el.	762,32	762,32	713,94	823,13	828,04	815,53	1007,05	1207,94	1420,65	
W	574	525	609	756	637	784	931	924	1113	
8 el.	871,25	871,25	815,92	940,71	946,33	932,01	1150,96	1380,46	1623,59	
W	656	600	696	864	728	896	1064	1056	1272	
9 el.	980,14	980,14	917,92	1058,30	1064,63	1048,53	1294,81	1553,04	1826,52	
W	738	675	783	972	819	1008	1197	1188	1431	
10 el.	1089,05	1089,05	1019,90	1175,92	1182,91	1165,04	1438,67	1725,59	2029,49	
W	820	750	870	1080	910	1120	1330	1320	1590	
11 el.	1197,97	1197,97	1121,88	1293,50	1301,21	1281,53	1582,54	1898,17	2232,44	
W	902	825	957	1188	1001	1232	1463	1452	1749	
12 el.	1306,86	1306,86	1223,89	1411,07	1419,50	1398,04	1726,40	2070,72	2435,36	
W	984	900	1044	1296	1092	1344	1596	1584	1908	
13 el.	1415,75	1415,75	1325,86	1528,68	1537,79	1514,52	1870,29	2243,28	2638,32	
W	1066	975	1131	1404	1183	1456	1729	1716	2067	
14 el.	1524,67	1524,67	1427,87	1646,26	1656,08	1631,03	2014,15	2415,83	2841,27	
W	1148	1050	1218	1512	1274	1568	1862	1848	2226	
15 el.	1633,57	1633,57	1529,86	1763,86	1774,36	1747,54	2158,01	2588,39	3044,24	
W	1230	1125	1305	1620	1365	1680	1995	1980	2385	
16 el.	1742,51	1742,51	1631,85	1881,44	1892,65	1864,05	2301,86	2760,95	3247,17	
W	1312	1200	1392	1728	1456	1792	2128	2112	2544	
17 el.	1851,38	1851,38	1733,84	1999,05	2010,95	1980,54	2445,74	2933,52	3450,11	
W	1394	1275	1479	1836	1547	1904	2261	2244	2703	
18 el.	1960,30	1960,30	1835,82	2116,63	2129,23	2097,05	2589,60	3106,06	3653,08	
W	1476	1350	1566	1944	1638	2016	2394	2376	2862	
19 el.	2069,18	2069,18	1937,82	2234,20	2247,53	2213,54	2733,48	3278,63	3856,01	
W	1558	1425	1653	2052	1729	2128	2527	2508	3021	
20 el.	2178,11	2178,11	2039,82	2351,81	2365,82	2330,05	2877,35	3451,18	4058,96	
W	1640	1500	1740	2160	1820	2240	2660	2640	3180	

BATTERIE E-100 | E-100 BATTERIES

Batteria in finitura 9010 - Bianco lucido | Battery in 9010 finish

EL.	ALTEZZE Heights									
	2 Col - H.880	3 Col - H. 560	3 Col - H. 690	3 Col - H. 880	4 Col - H. 560	4 Col - H. 690	4 Col - H. 880	5 Col - H. 690	5 Col - H. 880	
1 el.	130,71	130,71	122,40	141,10	141,94	139,81	172,64	207,07	243,54	
W	82	75	87	108	91	112	133	132	159	
2 el.	261,35	261,35	244,76	282,19	283,91	279,60	345,27	414,14	487,05	
W	164	150	174	216	182	224	266	264	318	
3 el.	392,05	392,05	367,15	423,31	425,84	419,45	517,91	621,24	730,60	
W	246	225	261	324	273	336	399	396	477	
4 el.	522,72	522,72	489,53	564,42	567,80	559,25	690,53	828,31	974,15	
W	328	300	348	432	364	448	532	528	636	
5 el.	653,42	653,42	611,93	705,52	709,75	699,05	863,16	1035,38	1217,68	
W	410	375	435	540	455	560	665	660	795	
6 el.	784,10	784,10	734,29	846,59	851,71	838,84	1035,80	1242,46	1461,19	
W	492	450	522	648	546	672	798	792	954	
7 el.	914,78	914,78	856,69	987,71	993,66	978,66	1208,44	1449,56	1704,75	
W	574	525	609	756	637	784	931	924	1113	
8 el.	1045,47	1045,47	979,08	1128,82	1135,59	1118,50	1381,07	1656,64	1948,28	
W	656	600	696	864	728	896	1064	1056	1272	
9 el.	1176,14	1176,14	1101,45	1269,89	1277,55	1258,30	1553,71	1863,71	2191,79	
W	738	675	783	972	819	1008	1197	1188	1431	
10 el.	1306,83	1306,83	1223,85	1411,02	1419,50	1398,10	1726,35	2070,78	2435,34	
W	820	750	870	1080	910	1120	1330	1320	1590	
11 el.	1437,51	1437,51	1346,25	1552,11	1561,46	1537,90	1898,96	2277,88	2678,87	
W	902	825	957	1188	1001	1232	1463	1452	1749	
12 el.	1568,18	1568,18	1468,63	1693,20	1703,40	1677,74	2071,59	2484,94	2922,40	
W	984	900	1044	1296	1092	1344	1596	1584	1908	
13 el.	1698,89	1698,89	1591,00	1834,31	1845,33	1817,56	2244,24	2692,02	3165,94	
W	1066	975	1131	1404	1183	1456	1729	1716	2067	
14 el.	1829,55	1829,55	1713,40	1975,41	1987,29	1957,34	2416,87	2899,09	3409,47	
W	1148	1050	1218	1512	1274	1568	1862	1848	2226	
15 el.	1960,25	1960,25	1835,78	2116,54	2129,23	2097,14	2589,51	3106,19	3653,00	
W	1230	1125	1305	1620	1365	1680	1995	1980	2385	
16 el.	2090,91	2090,91	1958,15	2257,61	2271,20	2236,96	2762,15	3313,26	3896,53	
W	1312	1200	1392	1728	1456	1792	2128	2112	2544	
17 el.	2221,61	2221,61	2080,54	2398,71	2413,14	2376,77	2934,76	3520,33	4140,09	
W	1394	1275	1479	1836	1547	1904	2261	2244	2703	
18 el.	2352,29	2352,29	2202,93	2539,83	2555,08	2516,59	3107,40	3727,40	4383,63	
W	1476	1350	1566	1944	1638	2016	2394	2376	2862	
19 el.	2482,96	2482,96	2325,29	2680,92	2697,04	2656,40	3280,04	3934,50	4627,15	
W	1558	1425	1653	2052	1729	2128	2527	2508	3021	
20 el.	2613,66	2613,66	2447,69	2822,02	2838,98	2796,20	3452,66	4141,58	4870,68	
W	1640	1500	1740	2160	1820	2240	2660	2640	3180	

SCALDASALVIETTE IDRAULICI
HYDRAULIC TOWEL WARMERS

MONICA | 337

TEKNO | 343

SQUARE | 349

OPERA | 357



CARATTERISTICHE | TECHNICAL SPECS

Materiale: tubi in acciaio;
Pressione massima di esercizio: 6 bar;
Temperatura massima d'esercizio: 95°.

Material: steel pipes;
 Max working pressure: 6 bars;
 Max operating temperature: 95°.

VERNICIATURA | PAINTING

Versioni bianche e colorate: a polveri epossidiche.
Versioni Cromate: processo galvanico di nichelatura e cromatura

White and colored version: epoxy powders.
 Chrome versions: galvanic process of nickel plating and chrome plating

CONFEZIONAMENTO | PACKAGING

Imballati in scatola di cartone
 Packed in a cardboard box

FINITURE | FINISHING



9010
 Bianco | White
 Finitura: lucido - liscio
 Finishing: glossy - smooth



9011
 Bianco | White
 Finitura: opaco - liscio
 Finishing: matt - smooth



4900
 Nero | Black
 Finitura: opaco - goffrato
 Finishing: matt - embossed



0345
 Grigio titanio | Titanium grey
 Finitura: goffrato
 Finishing: embossed



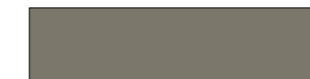
0215
 Grigio profondo | Deep grey
 Finitura: opaco - liscio
 Finishing: matt - smooth



0355
 Grigio ferro | Iron grey
 Finitura: goffrato
 Finishing: embossed



0356
 Sabbia | Sand
 Finitura: goffrato
 Finishing: embossed



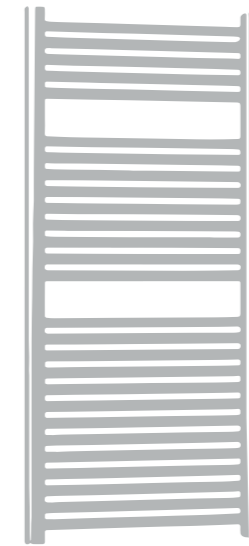
0358
 Fango | Mud
 Finitura: goffrato
 Finishing: embossed



0861
 Marrone bruciato | Burnt brown
 Finitura: opaco - liscio
 Finishing: matt - smooth



9300
 Cromato | Chrome
 Finitura: liscio
 Finishing: smooth



MONICA

 [TORNA ALL'INDICE](#)
[BACK TO INDEX](#)

MONICA

Ø 25 mm



- Bianco RAL9010 | White RAL9010
- Finitura: lucido | Glossy Finishing
- (Es. ASMON F **9010** 0400 0770)

Fornito con attacchi da ½" e comprensivo di valvolina di sfiato e kit di fissaggio

Supplied with ½" connections, incl. vent valve and fixing kit

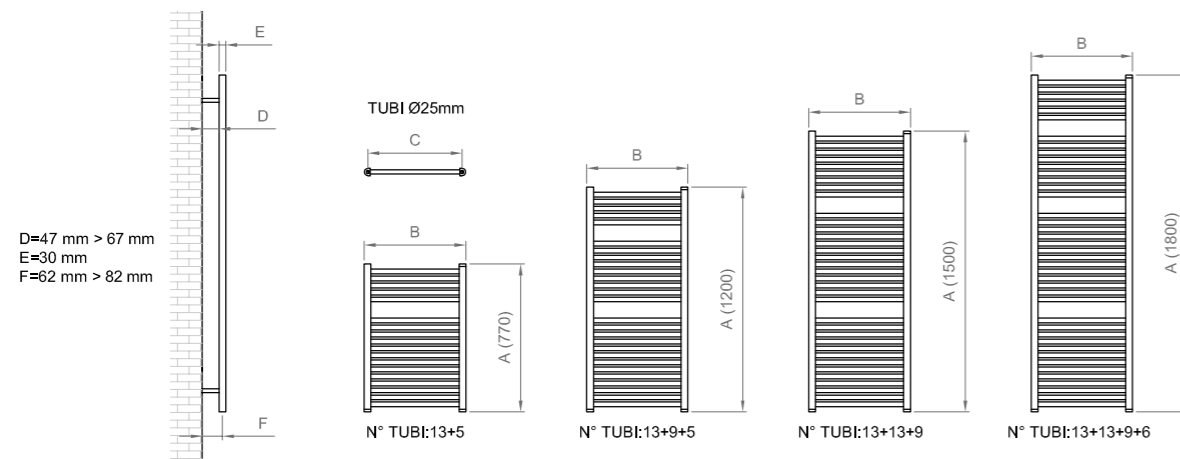
FINITURE | FINISHING



Fornito con attacchi da ½" e comprensivo di valvolina di sfiato e kit di fissaggio (in finitura)

Supplied with ½" connections, incl. vent valve and fixing kit of the same color

CERTIFICAZIONI | CERTIFICATION



MONICA

Ø 25 mm

Codice Code	N° tubi N° pipes	A mm	B mm	C mm	KG	LT	WΔT 30°C	WΔT 40°C	WΔT 50°C	€	
		Altezza Height	Larghezza Width	Interasse Centre to centre distance						RAL9010	COLOR
ASMON F ... 0400 0770	18	783	390	350	5,3	3,8	161	232	308	84,14	168,29
ASMON F ... 0400 1200	27	1190	390	350	7,9	5,7	250	360	479	107,44	214,87
ASMON F ... 0400 1500	35	1486	390	350	10,1	7,3	304	438	583	130,90	261,80
ASMON F ... 0400 1800	41	1782	390	350	11,6	8,7	370	536	716	140,61	281,24
ASMON F ... 0450 0770	18	783	440	400	5,8	4,2	182	262	348	89,99	179,98
ASMON F ... 0450 1200	27	1190	440	400	9,0	6,3	281	405	538	134,94	269,86
ASMON F ... 0450 1500	35	1486	440	400	11,0	8,1	343	495	658	140,81	281,63
ASMON F ... 0450 1800	41	1782	440	400	13,0	9,5	414	600	800	188,69	377,40
ASMON F ... 0500 0770	18	783	490	450	6,3	4,6	203	293	388	102,41	204,82
ASMON F ... 0500 1200	27	1190	490	450	9,2	6,9	313	450	598	128,85	257,70
ASMON F ... 0500 1500	35	1486	490	450	11,9	8,8	383	552	733	146,82	293,63
ASMON F ... 0500 1800	41	1782	490	450	14,0	10,4	459	664	884	171,15	342,30
ASMON F ... 0550 0770	18	783	540	500	6,9	4,9	224	322	427	105,55	211,09
ASMON F ... 0550 1200	27	1190	540	500	10,2	7,4	344	495	657	137,31	274,63
ASMON F ... 0550 1500	35	1486	540	500	12,6	9,5	423	609	808	151,10	302,19
ASMON F ... 0550 1800	41	1782	540	500	15,5	11,3	504	728	968	185,90	371,80
ASMON F ... 0600 0770	18	783	590	550	7,3	5,3	245	353	467	109,19	218,37
ASMON F ... 0600 1200	27	1190	590	550	10,8	8,0	375	540	716	151,97	303,93
ASMON F ... 0600 1500	35	1486	590	550	13,7	10,3	463	666	883	163,48	326,96
ASMON F ... 0600 1800	41	1782	590	550	17,3	12,1	549	792	1052	193,80	387,59
ASMON F ... 0750 0770	18	783	740	700	10,2	6,5	310	444	587	131,33	262,66
ASMON F ... 0750 1200	27	1190	740	700	13,6	9,7	471	676	894	205,25	410,49
ASMON F ... 0750 1500	35	1486	740	700	18,0	12,5	584	838	1108	236,25	472,51
ASMON F ... 0750 1800	41	1782	740	700	20,7	14,7	686	985	1304	270,60	541,20
ASMON F ... 1000 0770	18	783	990	950	11,7	8,4	418	596	786	169,40	338,80
ASMON F ... 1000 1200	27	1190	990	950	17,0	12,6	632	902	1190	260,70	521,40
ASMON F ... 1000 1500	35	1486	990	950	22	16,2	789	1126	1483	324,50	649,00
ASMON F ... 1000 1800	41	1782	990	950	25,5	19,1	919	1310	1724	386,10	772,20

MONICA CROMATO | CHROMED MONICA

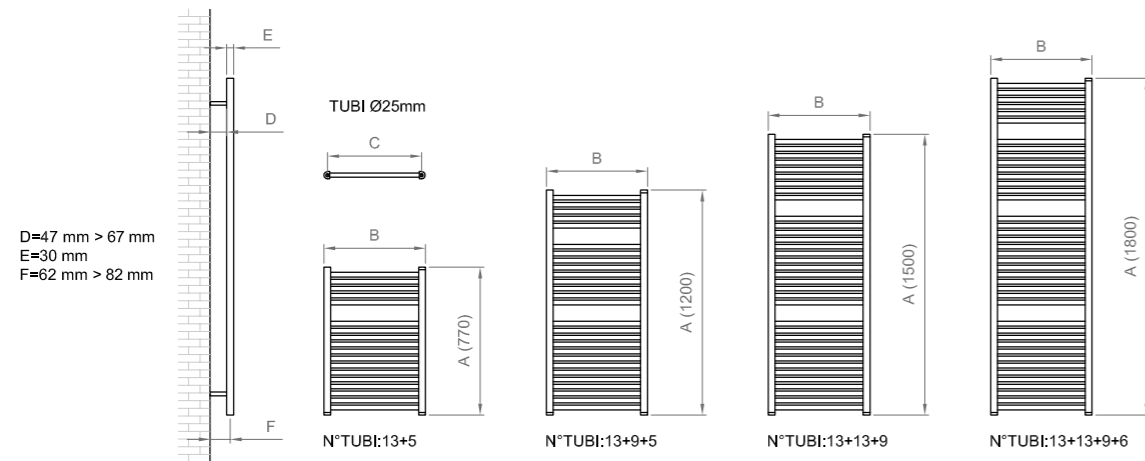
Ø 25 mm



● Cromo 9300 | Chrome 9300

Fornito con attacchi da ½" e comprensivo di valvolina di sfiato e kit di fissaggio

Supplied with ½" connections, incl. vent valve and fixing kit



MONICA CROMATO | CHROMED MONICA

Ø 25 mm

Codice Code	N° tubi N° pipes	A mm	B mm	C mm	KG	LT	WΔT 30°C	WΔT 40°C	WΔT 50°C	€ 9300
		Altezza Height	Larghezza Width	Interasse Centre to centre distance						
ASMCC F 9300 0450 0770	18	785	450	400	5,9	4,3	136	194	257	144,10
ASMCC F 9300 0450 1200	27	1190	450	400	8,9	6,4	202	290	383	223,30
ASMCC F 9300 0450 1500	35	1485	450	400	11,3	8,2	254	364	481	282,70
ASMCC F 9300 0450 1800	41	1783	450	400	13,4	9,7	302	433	572	325,60
ASMCC F 9300 0500 0770	18	785	500	450	6,4	4,6	149	213	282	160,60
ASMCC F 9300 0500 1200	27	1190	500	450	9,6	7,0	222	318	420	237,60
ASMCC F 9300 0500 1500	35	1485	500	450	12,3	9,0	278	398	526	300,30
ASMCC F 9300 0500 1800	41	1783	500	450	14,5	10,6	333	477	630	346,50
ASMCC F 9300 0550 0770	18	785	550	500	6,8	5,0	162	232	306	162,80
ASMCC F 9300 0550 1200	27	1190	550	500	10,3	7,6	242	347	458	245,30
ASMCC F 9300 0550 1500	35	1485	550	500	13,2	9,7	326	468	618	327,80
ASMCC F 9300 0550 1800	41	1783	550	500	15,6	11,4	364	522	690	377,30
ASMCC F 9300 0600 0770	18	785	600	550	7,3	5,4	175	250	331	171,60
ASMCC F 9300 0600 1200	27	1190	600	550	11,0	8,1	261	375	495	268,40
ASMCC F 9300 0600 1500	35	1485	600	550	14,1	10,4	356	510	674	348,70
ASMCC F 9300 0600 1800	41	1783	600	550	16,7	12,3	395	566	748	401,50



TEKNO

TEKNO

Ø 22 mm



○ Bianco RAL9010 | White RAL9010

Finitura: lucido | Glossy Finishing

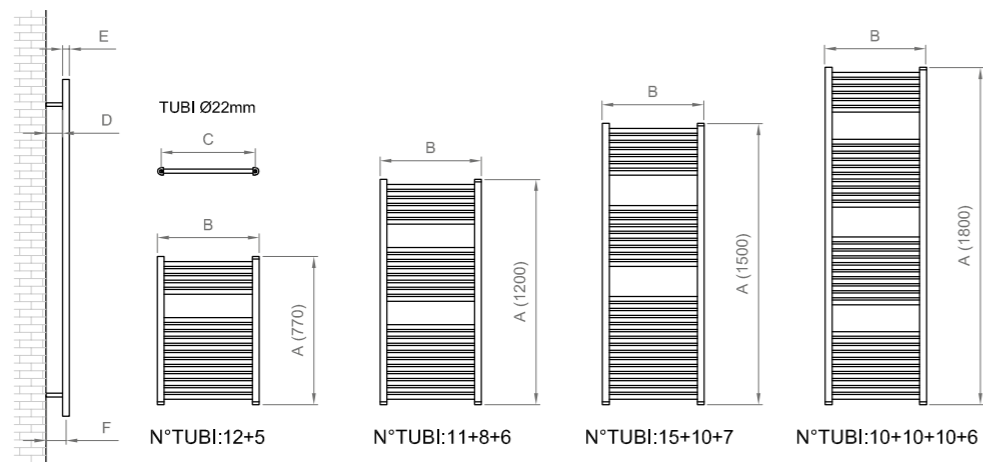
Fornito con attacchi da 1/2" e comprensivo di valvolina di sfiato e kit di fissaggio

Supplied with 1/2" connections, incl. vent valve and fixing kit

CERTIFICAZIONI | CERTIFICATION



D=47 mm > 67 mm
E=30 mm
F=62 mm > 82 mm



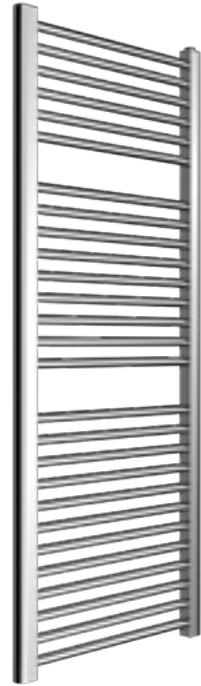
TEKNO

Ø 22 mm

Codice Code	N° tubi N° pipes	A mm	B mm	C mm	KG	LT	WΔT 30°C	WΔT 40°C	WΔT 50°C	€ RAL9010
		Altezza Height	Larghezza Width	Interasse Centre to centre distance						
ASTEK F 9010 0450 0770	17	770	450	400	5,1	3,4	178	254	334	77,00
ASTEK F 9010 0450 1200	25	1200	450	400	7,8	5,2	261	372	490	108,90
ASTEK F 9010 0450 1500	32	1500	450	400	9,8	6,6	325	462	608	134,20
ASTEK F 9010 0450 1800	36	1800	450	400	11,3	7,6	386	548	720	155,10
ASTEK F 9010 0500 0770	17	770	500	450	5,5	3,7	196	279	367	79,20
ASTEK F 9010 0500 1200	25	1200	500	450	8,6	5,6	290	413	543	113,30
ASTEK F 9010 0500 1500	32	1500	500	450	10,7	7,1	359	511	672	137,50
ASTEK F 9010 0500 1800	36	1800	500	450	12,2	8,2	425	604	793	157,30
ASTEK F 9010 0550 0770	17	770	550	500	6,4	4,0	214	305	401	89,10
ASTEK F 9010 0550 1200	25	1200	550	500	9,0	6,0	318	453	596	127,60
ASTEK F 9010 0550 1500	32	1500	550	500	11,5	7,6	394	561	737	147,40
ASTEK F 9010 0550 1800	36	1800	550	500	13,3	8,7	464	659	865	172,70
ASTEK F 9010 0600 0770	17	770	600	550	7,0	4,2	232	330	434	92,40
ASTEK F 9010 0600 1200	25	1200	600	550	9,9	6,4	348	494	650	129,80
ASTEK F 9010 0600 1500	32	1500	600	550	12,2	8,1	429	610	801	151,80
ASTEK F 9010 0600 1800	36	1800	600	550	14,1	9,3	503	714	938	176,00
ASTEK F 9010 0750 0770	17	770	750	700	7,7	5,1	290	412	541	104,50
ASTEK F 9010 0750 1200	25	1200	750	700	11,9	7,6	434	616	808	157,30
ASTEK F 9010 0750 1500	32	1500	750	700	14,2	9,6	556	789	1036	193,60
ASTEK F 9010 0750 1800	36	1800	750	700	16,8	11,0	770	875	1149	220,00

TEKNO CROMATO | CHROMED TEKNO

Ø 19 mm



● Cromo 9300 | Chrome 9300

Fornito con attacchi da ½" e comprensivo di valvolina di sfiato e kit di fissaggio

Supplied with ½" connections, incl. vent valve and fixing kit

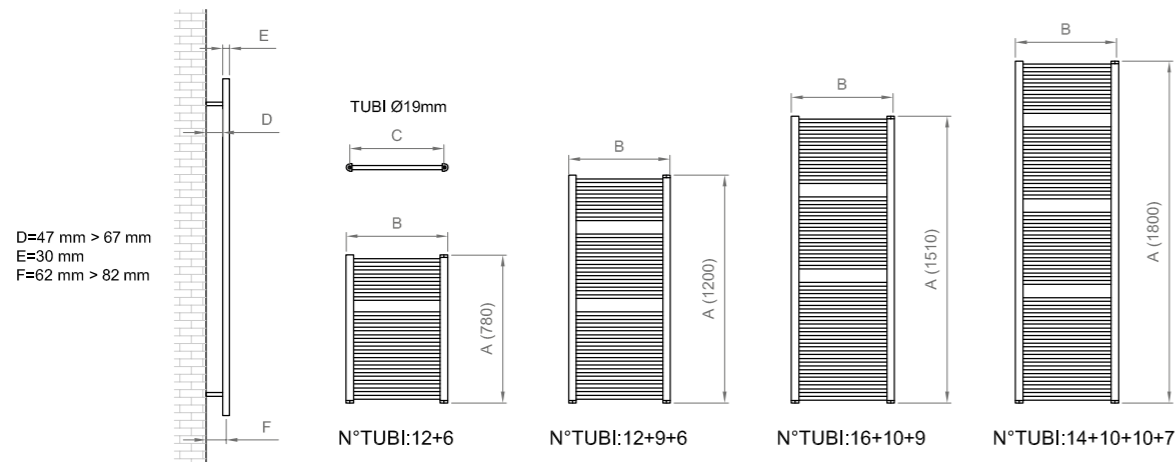
CERTIFICAZIONI | CERTIFICATION



TEKNO CROMATO | CHROMED TEKNO

Ø 19 mm

Codice Code	N° tubi N° pipes	A mm	B mm	C mm	KG	LT	WΔT 30°C	WΔT 40°C	WΔT 50°C	€ 9300
		Altezza Height	Larghezza Width	Interasse Centre to centre distance						
ASTCR F 9300 0450 0770	18	780	450	400	5,0	3,0	123	177	234	159,50
ASTCR F 9300 0450 1200	27	1200	450	400	7,3	4,5	182	262	348	189,24
ASTCR F 9300 0450 1500	35	1510	450	400	9,3	5,8	227	328	437	254,60
ASTCR F 9300 0450 1800	41	1800	450	400	11,0	6,8	273	392	520	261,37
ASTCR F 9300 0500 0770	18	780	500	450	5,3	3,2	135	193	256	163,08
ASTCR F 9300 0500 1200	27	1200	500	450	7,9	4,8	201	288	382	213,20
ASTCR F 9300 0500 1500	35	1510	500	450	9,9	6,2	249	359	478	275,52
ASTCR F 9300 0500 1800	41	1800	500	450	11,9	7,3	300	432	573	338,56





SQUARE

SQUARE
25x25 mm



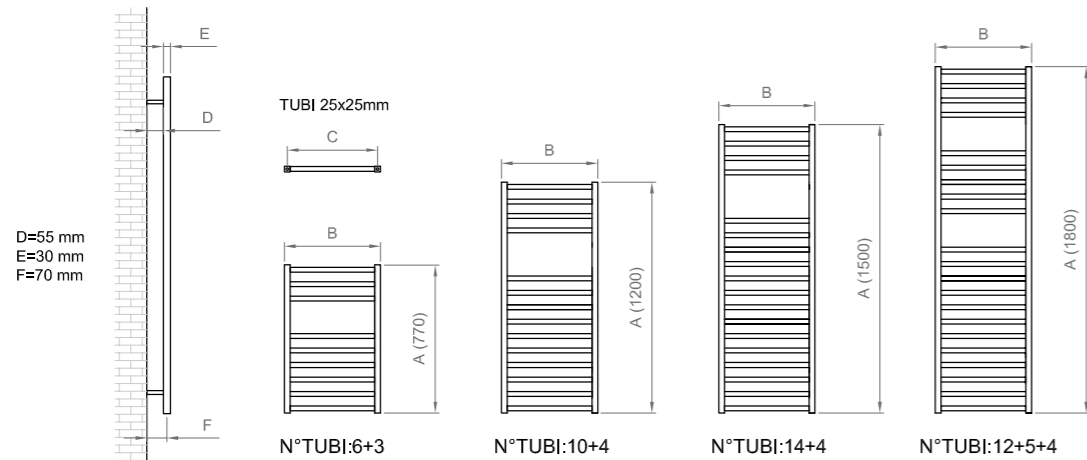
○ Bianco RAL9010 | White RAL9010
Finitura: lucido | Glossy Finishing
(Es. ASSQA F 9010 0500 0770)

Fornito con attacchi da 1/2" e comprensivo di valvolina di sfiato e kit di fissaggio
Supplied with 1/2" connections, incl. vent valve and fixing kit

FINITURE | FINISHING

○ ● ● ● ● ● ●
9011 0355 0345 0358 0356 0215 0861

Fornito con attacchi da 1/2" e comprensivo di valvolina di sfiato e kit di fissaggio (in finitura)
Supplied with 1/2" connections, incl. vent valve and fixing kit of the same color



SQUARE
25x25 mm

Codice Code	N° tubi N° pipes	A mm	B mm	C mm	KG	LT	WΔT 30°C	WΔT 40°C	WΔT 50°C	€	
		Altezza Height	Larghezza Width	Interasse Centre to centre distance						RAL9010	COLOR
ASSQA F ... 0500 0770	9	770	500	470	4,9	3,2	170	244	322	205,18	410,36
ASSQA F ... 0500 1200	14	1200	500	470	7,6	5,0	264	378	500	255,06	510,11
ASSQA F ... 0500 1500	18	1500	500	470	9,7	6,3	336	482	637	318,11	636,21
ASSQA F ... 0500 1800	21	1800	500	470	11,5	7,5	396	567	750	367,55	735,11
ASSQA F ... 0600 1200	14	1200	600	570	8,7	5,7	305	437	578	291,19	582,37
ASSQA F ... 0600 1500	18	1500	600	570	11,0	7,3	389	557	736	353,65	707,31
ASSQA F ... 0600 1800	21	1800	600	570	13,0	8,6	457	654	865	408,60	817,18

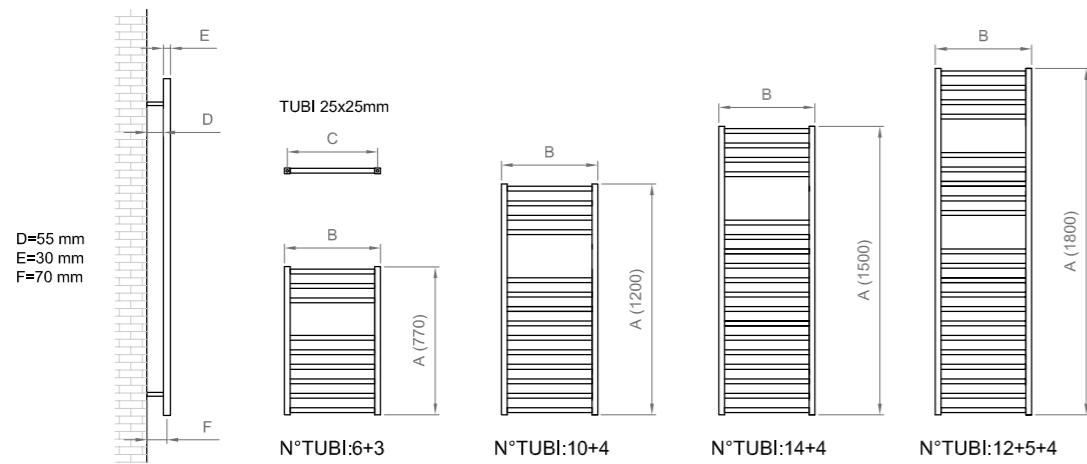
SQUARE NERO | BLACK SQUARE
25x25 mm



● Nero 4900 | Black 4900
Finitura: opaco | Matt Finishing

Fornito con attacchi da 1/2" e comprensivo di:
kit di fissaggio, kit valvola e detentore
termostattizzabile con attacco da 1/2" in finitura
nero opaco e coppia di raccordi per tubo
multistrato Ø16 mm

Supplied with 1/2" connections, incl. fixing kit,
thermostatic valve and lockshield valve with 1/2" connection
in black matt finishing and pair of fittings for multilayer
pipe Ø16 mm



SQUARE NERO | BLACK SQUARE
25x25 mm

Codice Code	N° tubi N° pipes	A mm	B mm	C mm	KG	LT	WΔT 30°C	WΔT 40°C	WΔT 50°C	€ 4900
		Altezza Height	Larghezza Width	Interasse Centre to centre distance						
ASSQA M 4900 0500 0770	9	770	500	470	4,9	3,2	170	244	322	410,36
ASSQA M 4900 0500 1200	14	1200	500	470	7,6	5,0	264	378	500	510,11
ASSQA M 4900 0500 1500	18	1500	500	470	9,7	6,3	336	482	637	636,21
ASSQA M 4900 0500 1800	21	1800	500	470	11,5	7,5	396	567	750	735,11
ASSQA M 4900 0600 1200	14	1200	600	570	8,7	5,7	305	437	578	582,37
ASSQA M 4900 0600 1500	18	1500	600	570	11,0	7,3	389	557	736	707,31
ASSQA M 4900 0600 1800	21	1800	600	570	13,0	8,6	457	654	865	817,18

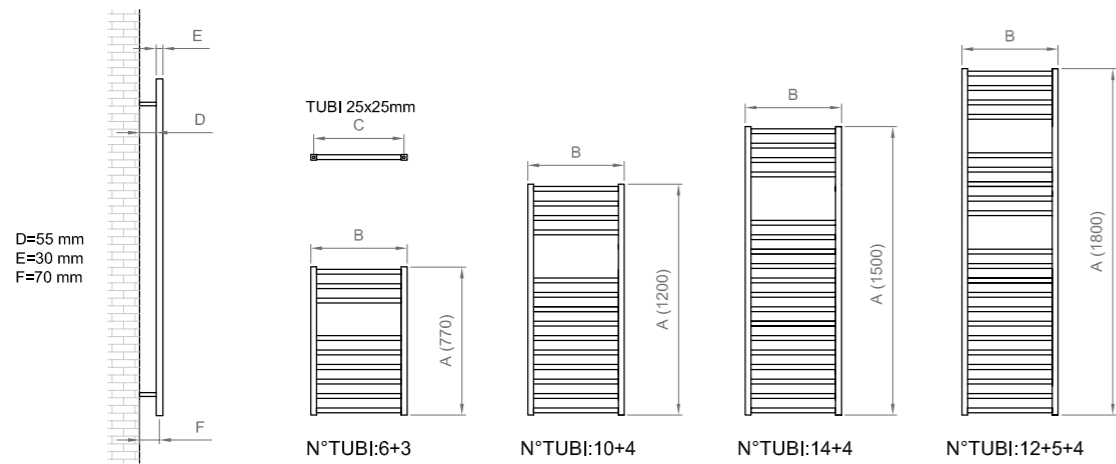
SQUARE CROMATO | CHROMED SQUARE
25x25 mm



● Cromo 9300 | Chrome 9300

Fornito con attacchi da 1/2" e comprensivo di valvolina di sfiato e kit di fissaggio

Supplied with 1/2" connections, incl. vent valve and fixing kit



SQUARE CROMATO | CHROMED SQUARE
25x25 mm

Codice Code	N° tubi N° pipes	A mm	B mm	C mm	KG	LT	WΔT 30°C	WΔT 40°C	WΔT 50°C	€ 9300
		Altezza Height	Larghezza Width	Interasse Centre to centre distance						
ASSQC F 9300 0500 0770	9	770	500	470	4,9	3,2	112	160	212	297,41
ASSQC F 9300 0500 1200	14	1200	500	470	7,6	5,0	174	249	329	398,34
ASSQC F 9300 0500 1500	18	1500	500	470	9,7	6,3	221	317	419	454,03
ASSQC F 9300 0500 1800	21	1800	500	470	11,5	7,5	260	373	493	489,16
ASSQC F 9300 0600 1200	14	1200	600	570	8,7	5,7	201	288	380	387,71
ASSQC F 9300 0600 1500	18	1500	600	570	11,0	7,3	256	367	485	528,42
ASSQC F 9300 0600 1800	21	1800	600	570	13,0	8,6	301	431	570	572,00



OPERA



OPERA

Ø 22 mm



○ Bianco RAL9010 | White RAL9010
 Finitura: lucido | Glossy Finishing
 (Es. ASOPE F 9010 0500 0770)

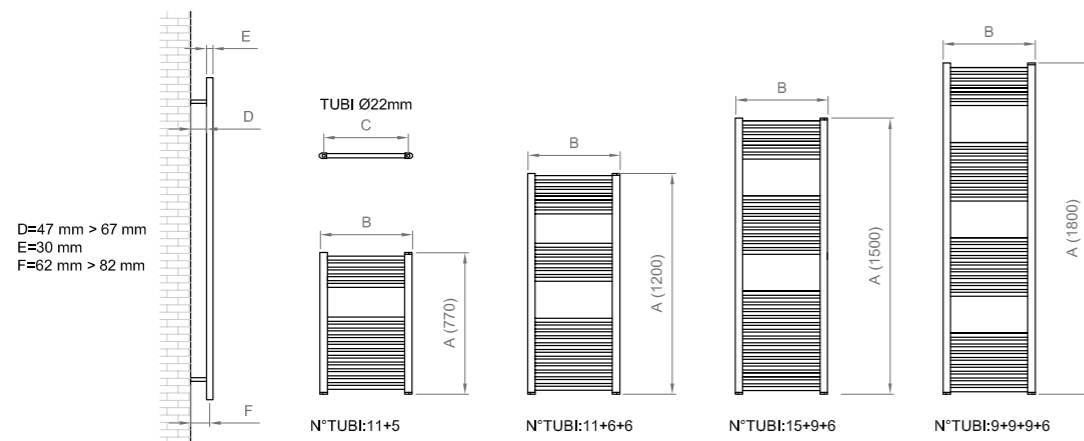
Fornito con attacchi da ½” e comprensivo di valvolina di sfiato e kit di fissaggio
 Supplied with ½” connections, incl. vent valve and fixing kit

FINITURE | FINISHING



Fornito con attacchi da ½” e comprensivo di valvolina di sfiato e kit di fissaggio (in finitura)
 Supplied with ½” connections, incl. vent valve and fixing kit of the same color

CERTIFICAZIONI | CERTIFICATION



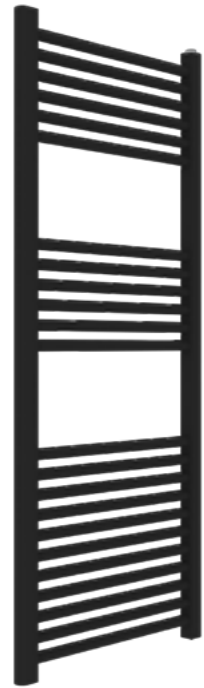
OPERA

Ø 22 mm

Codice Code	N° tubi N° pipes	A mm	B mm	C mm	KG	LT	WΔT 30°C	WΔT 40°C	WΔT 50°C	€	
		Altezza Height	Larghezza Width	Interasse Centre to centre distance						RAL9010	COLOR
ASOPE F ... 0400 0770	16	770	400	350	4,7	3,1	156	224	296	75,05	150,12
ASOPE F ... 0400 1200	23	1200	400	350	6,9	4,6	230	329	435	89,16	178,31
ASOPE F ... 0400 1500	30	1500	400	350	8,7	5,8	280	401	530	120,95	241,90
ASOPE F ... 0400 1800	33	1800	400	350	10,2	6,7	326	468	618	151,64	303,27
ASOPE F ... 0450 0770	16	770	450	400	5,0	3,3	173	248	328	64,93	129,87
ASOPE F ... 0450 1200	23	1200	450	400	7,2	4,9	247	353	467	93,97	187,95
ASOPE F ... 0450 1500	30	1500	450	400	9,7	6,3	308	441	583	113,51	227,02
ASOPE F ... 0450 1800	33	1800	450	400	11,3	7,2	353	505	668	124,38	248,74
ASOPE F ... 0500 0770	16	770	500	450	5,5	3,6	182	261	345	66,07	132,14
ASOPE F ... 0500 1200	23	1200	500	450	8,1	5,3	264	378	500	89,71	179,42
ASOPE F ... 0500 1500	30	1500	500	450	10,2	6,8	333	477	630	109,54	219,08
ASOPE F ... 0500 1800	33	1800	500	450	11,9	7,8	384	550	727	129,82	259,64
ASOPE F ... 0550 0770	16	770	550	500	5,8	3,8	199	284	376	82,26	164,52
ASOPE F ... 0550 1200	23	1200	550	500	8,8	5,7	290	415	549	102,98	205,98
ASOPE F ... 0550 1500	30	1500	550	500	10,9	7,3	364	522	690	125,91	251,82
ASOPE F ... 0550 1800	33	1800	550	500	12,3	8,3	419	600	793	151,78	303,55
ASOPE F ... 0600 0770	16	770	600	550	6,1	4,1	215	309	408	78,63	157,27
ASOPE F ... 0600 1200	23	1200	600	550	9,3	6,0	316	452	598	118,25	236,49
ASOPE F ... 0600 1500	30	1500	600	550	11,6	7,8	397	568	751	131,46	262,92
ASOPE F ... 0600 1800	33	1800	600	550	13,5	8,8	454	651	860	151,95	303,90
ASOPE F ... 0650 0770	16	770	650	600	6,6	4,3	232	333	440	93,70	187,41
ASOPE F ... 0650 1200	23	1200	650	600	9,5	6,4	334	479	633	124,87	249,73
ASOPE F ... 0650 1500	30	1500	650	600	12,6	8,2	420	602	796	163,90	327,80
ASOPE F ... 0650 1800	33	1800	650	600	14,2	9,3	487	698	922	190,40	380,80
ASOPE F ... 0750 0770	16	770	750	700	7,2	4,9	266	381	504	101,20	202,40
ASOPE F ... 0750 1200	23	1200	750	700	10,9	7,1	369	529	699	138,36	276,72
ASOPE F ... 0750 1500	30	1500	750	700	13,3	9,2	484	693	916	208,99	417,98
ASOPE F ... 0750 1800	33	1800	750	700	16,3	10,4	548	785	1037	231,00	462,00

OPERA NERO | BLACK OPERA

Ø 22 mm

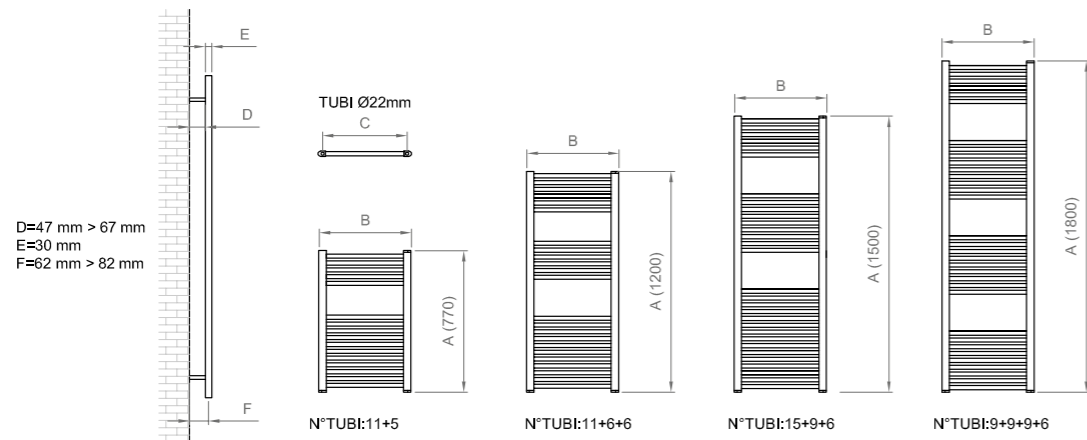


● Nero 4900 | Black 4900

Finitura: opaco | Finishing: matt

Fornito con attacchi da ½" e comprensivo di: kit di fissaggio, kit valvola e detentore termostattizzabile con attacco da ½" in finitura nero opaco e coppia di raccordi per tubo multistrato Ø16 mm

Supplied with ½" connections, incl. fixing kit, thermostatic valve and lockshield valve with ½" connection in black matt finishing and pair of fittings for multilayer pipe Ø16 mm



OPERA NERO | BLACK OPERA

Ø 22 mm

Codice Code	N° tubi N° pipes	A mm B mm C mm			KG	LT	WΔT 30°C	WΔT 40°C	WΔT 50°C	€ 4900
		Altezza Height	Larghezza Width	Interasse Centre to centre distance						
ASOPE M 4900 0500 0770	16	770	500	450	5,5	3,6	182	261	345	125,59
ASOPE M 4900 0500 1200	23	1200	500	450	8,1	5,3	264	378	500	159,80
ASOPE M 4900 0500 1500	30	1500	500	450	10,2	6,8	333	477	630	181,58
ASOPE M 4900 0500 1800	33	1800	500	450	11,9	7,8	384	550	727	232,35
ASOPE M 4900 0600 0770	16	770	600	550	6,1	4,1	215	309	408	181,48
ASOPE M 4900 0600 1200	23	1200	600	550	9,3	6,0	316	452	598	201,14
ASOPE M 4900 0600 1500	30	1500	600	550	11,6	7,8	397	568	751	209,00
ASOPE M 4900 0600 1800	33	1800	600	550	13,5	8,8	454	651	860	242,00

OPERA CROMATO | CHROMED OPERA

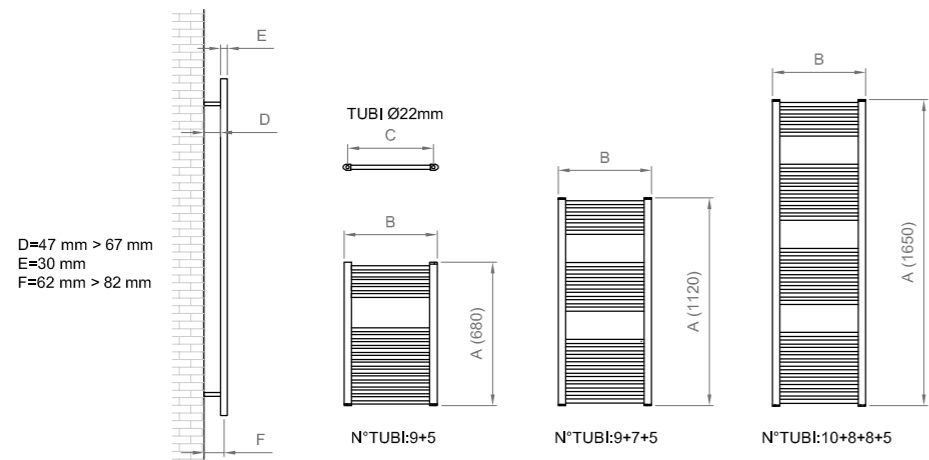
Ø 22 mm



● Cromo 9300 | Chrome 9300

Fornito con attacchi da ½” e comprensivo di valvolina di sfiato e kit di fissaggio

Supplied with ½” connections, incl. vent valve and fixing kit



OPERA CROMATO | CHROMED OPERA

Ø 22 mm

Codice Code	N° tubi N° pipes	A mm	B mm	C mm	KG	LT	WΔT 30°C	WΔT 40°C	WΔT 50°C	€ 9300
		Altezza Height	Larghezza Width	Interasse Centre to centre distance						
ASOPC F 9300 0450 0680	14	680	450	400	4,5	2,9	91	131	173	115,91
ASOPC F 9300 0450 1120	21	1120	450	400	7,3	4,6	139	200	264	185,15
ASOPC F 9300 0450 1650	31	1650	450	400	9,8	6,7	206	295	390	241,55
ASOPC F 9300 0500 0680	14	680	500	450	4,7	3,1	95	135	179	124,73
ASOPC F 9300 0500 1120	21	1120	500	450	7,4	4,9	145	208	275	174,08
ASOPC F 9300 0500 1650	31	1650	500	450	10,6	7,2	218	312	412	266,83
ASOPC F 9300 0600 0680	14	680	600	550	5,4	3,6	112	161	213	128,40
ASOPC F 9300 0600 1120	21	1120	600	550	8,2	5,6	174	250	330	204,92
ASOPC F 9300 0600 1650	31	1650	600	550	12,3	8,2	259	371	491	277,72

**SCALDASALVIETTE
ELETTRICI
ELECTRIC TOWEL WARMERS**

MONICA ELETTRICO | 371
ELECTRIC MONICA

TEKNO ELETTRICO | 377
ELECTRIC TEKNO

OPERA ELETTRICO | 383
ELECTRIC OPERA





CARATTERISTICHE | TECHNICAL SPECS

Materiale: Tubi in acciaio
Pressione Max d'esercizio: 6 bar
Temperatura Max d'esercizio: 90°C
Riempimento: soluzione diatermica di acqua-glicole, al 15% di glicole propilenico. Temperatura limite di congelamento -5°C

Material: steel pipes
Max working pressure: 6 bars
Max working temperature: 90° C
Filling: diathermic water-glycol solution, 15% propylene glycol. Freezing limit temperature -5 ° C

VERSIONI DISPONIBILI | VERSIONS AVAILABLE

1  **CON RESISTENZA TERMOLIMITATA ON/OFF | WITH THERMOLIMITED**
Scaldasalviette elettrico con resistenza termolimitata e interruttore on/off, classe d'isolamento I.
Electric towel warmer with thermo-limited and on off switch resistance, insulation class I.

2  **CON TERMOSTATO REGOLABILE | WITH ADJUSTABLE THERMOSTAT**
Scaldasalviette elettrico con termostato regolabile digitale. Resistenza classe I, cavo liscio, spina shuko. Regolazione a 5 livelli di temperatura, visualizzazione mediante LED. Due funzioni, TIMER per accensione da 1 a 5 ore e funzione AMBIENTE con regolazione e gestione della temperatura desiderata.
Electric towel warmer with digital adjustable thermostat. Class I resistance, smooth cable, shuko plug. 5-level regulation based on room temperature, LED display. Two functions, TIMER for switching on from 1 to 5 hours and function with regulation and management of the desired temperature.

3  **CON TERMOSTATO ELETTRONICO ANALOGICO
WITH ANALOG ELECTRONICAL THERMOSTAT**
Scaldasalviette elettrico con termostato elettronico analogico con sensore esterno per il mantenimento della temperatura ambiente desiderata e rilevamento "finestra aperta".
Conforme Eco-Design ErP
Electric towel warmer with analog electronic thermostat with external sensor for maintaining the desired room temperature and "open window" detection. Eco-Design ErP compliant

4  **CON TERMOSTATO DIGITALE PROGRAMMABILE
WITH CONFIGURABLE DIGITAL THERMOSTAT**
Scaldasalviette elettrico con cronotermostato digitale programmabile giornaliero con ripetizione settimanale, completo di sensore esterno per il mantenimento della temperatura ambiente desiderata e rilevamento "finestra aperta".
Conforme Eco-Design ErP
Electric towel warmer with daily programmable digital chrono-thermostat with weekly repetition, complete with external sensor for maintaining the desired room temperature and "open window" detection. Eco-Design ErP compliant

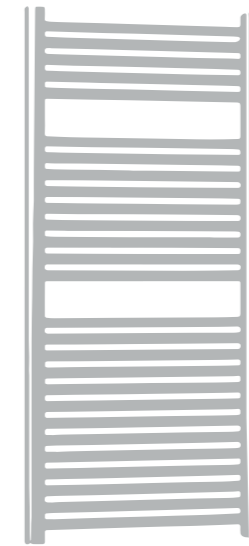
VERNICIATURA | PAINTING

Versione bianca e nera: verniciatura a polveri epossidiche
Versione cromata: processo galvanico di nichelatura e cromatura

White and black version: epoxy powder painting
Chromed version: nickel plating and chromium plating

CONFEZIONAMENTO | PACKAGING

Imballati in scatola di cartone
Packed in a cardboard box



MONICA ELETTRICO ELECTRIC MONICA

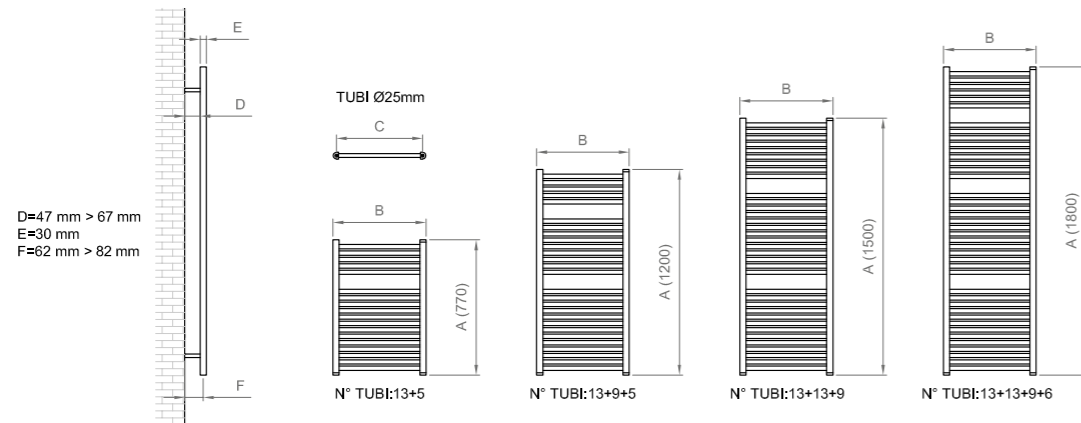


MONICA ELETTRICO BIANCO | ELECTRIC WHITE MONICA
 Ø 25 mm



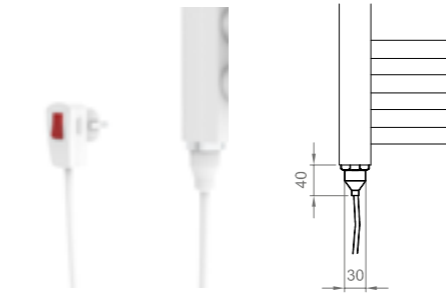
○ Bianco RAL9010 | White RAL9010

CERTIFICAZIONI | CERTIFICATION



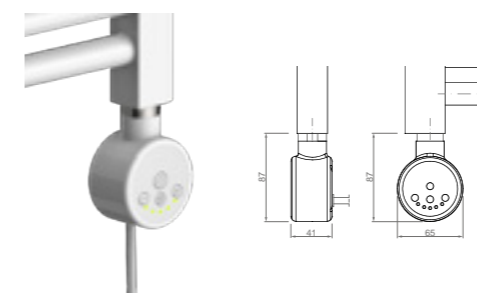
MONICA ELETTRICO BIANCO | ELECTRIC WHITE MONICA
 Ø 25 mm

1 RESISTENZA TERMOLIMITATA ON/OFF | THERMOLIMITED ON/OFF RESISTANCE



Codice Code	A mm	B mm	C mm	KG	W	€ RAL9010
ASMOE F 9010 0500 0770	783	490	450	11,7	400	216,90
ASMOE F 9010 0500 1200	1190	490	450	17,1	700	267,39
ASMOE F 9010 0500 1500	1486	490	450	22,1	900	280,11
ASMOE F 9010 0500 1800	1782	490	450	26,5	900	311,10
ASMOE F 9010 0600 0770	783	590	550	13,5	500	262,26
ASMOE F 9010 0600 1200	1190	590	550	19,2	900	283,85
ASMOE F 9010 0600 1500	1486	590	550	25,8	900	300,52
ASMOE F 9010 0600 1800	1782	590	550	30,7	1000	343,24

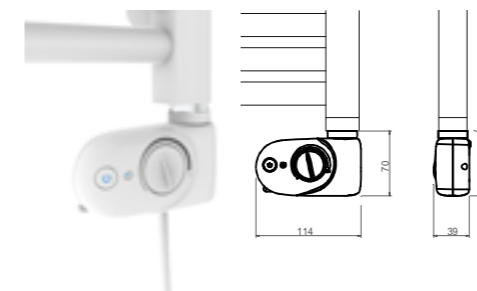
2 TERMOSTATO REGOLABILE | ADJUSTABLE THERMOSTAT



Codice Code	A mm	B mm	C mm	KG	W	€ RAL9010
ASMOT F 9010 0500 0770	783	490	450	15,9	400	303,96
ASMOT F 9010 0500 1200	1190	490	450	23,4	600	386,76
ASMOT F 9010 0500 1500	1486	490	450	29,9	800	411,64
ASMOT F 9010 0500 1800	1782	490	450	35,2	1000	457,13
ASMOT F 9010 0600 0770	783	590	550	18,3	600	358,00
ASMOT F 9010 0600 1200	1190	590	550	27,2	800	415,37
ASMOT F 9010 0600 1500	1486	590	550	34,7	1000	446,56
ASMOT F 9010 0600 1800	1782	590	550	41,9	1000	486,35

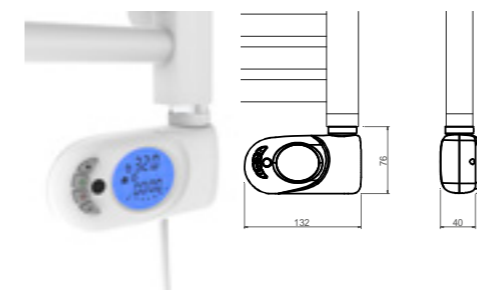
Fornitura Standard: termostato montato a sx. Se si desidera montato a dx, sostituire la "F" dei codici sopra riportati, con "D" (es. ASMOT D 9010 0500 0770)
 Standard supply: thermostat mounted on the left. If you want it mounted on the right, change the "F" in the codes here reported with "D" (ex. ASMOT D 9010 0500 0770)

3 TERMOSTATO ELETTRONICO ANALOGICO | ANALOG ELECTRONIC THERMOSTAT



Codice Code	A mm	B mm	C mm	KG	W	€ RAL9010
ASMOA D 9010 0500 0770	783	490	450	11,3	400	262,82
ASMOA D 9010 0500 1200	1190	490	450	16,5	600	315,74
ASMOA D 9010 0500 1500	1486	490	450	21,1	800	334,12
ASMOA D 9010 0500 1800	1782	490	450	24,8	1000	364,29
ASMOA D 9010 0600 0770	783	590	550	13,0	600	255,74
ASMOA D 9010 0600 1200	1190	590	550	19,2	800	337,84
ASMOA D 9010 0600 1500	1486	590	550	24,4	1000	353,71
ASMOA D 9010 0600 1800	1782	590	550	29,8	1000	393,50

4 TERMOSTATO DIGITALE PROGRAMMABILE | CONFIGURABLE DIGITAL THERMOSTAT



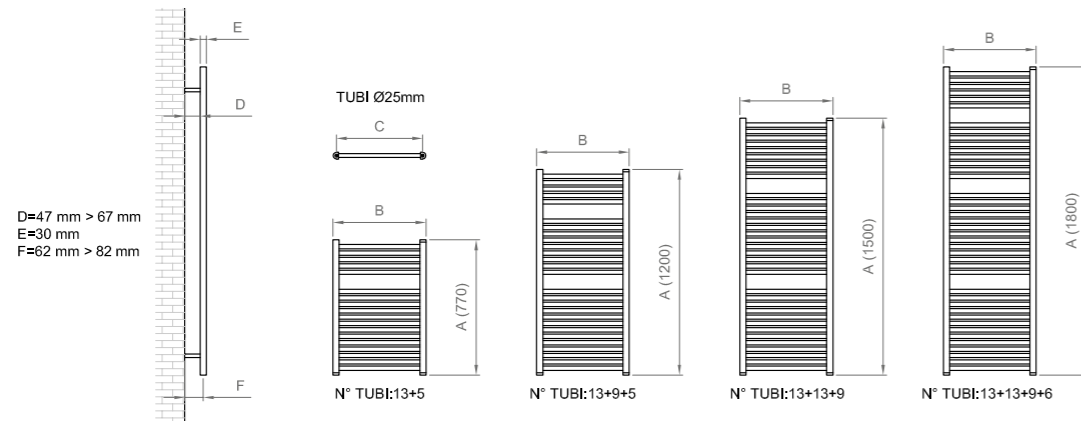
Codice Code	A mm	B mm	C mm	KG	W	€ RAL9010
ASMOP D 9010 0500 0770	783	490	450	11,3	400	293,03
ASMOP D 9010 0500 1200	1190	490	450	16,5	600	345,96
ASMOP D 9010 0500 1500	1486	490	450	21,1	800	364,32
ASMOP D 9010 0500 1800	1782	490	450	24,8	1000	394,50
ASMOP D 9010 0600 0770	783	590	550	13,0	600	317,21
ASMOP D 9010 0600 1200	1190	590	550	19,2	800	368,06
ASMOP D 9010 0600 1500	1486	590	550	24,4	1000	383,93
ASMOP D 9010 0600 1800	1782	590	550	29,8	1000	423,72

MONICA ELETTRICO CROMATO | ELECTRIC CHROMED MONICA
 Ø 25 mm



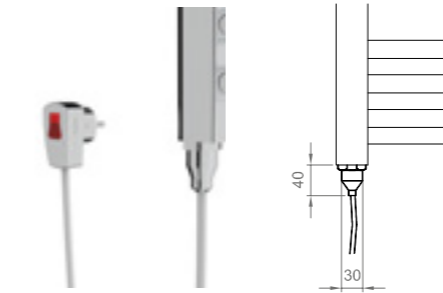
● Cromo 9300 | Chrome 9300

CERTIFICAZIONI | CERTIFICATION



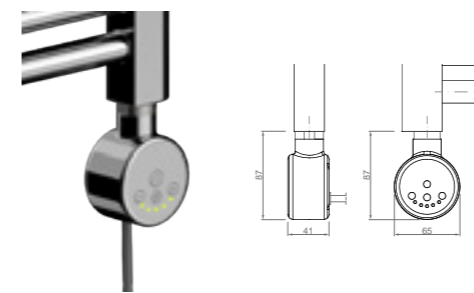
MONICA ELETTRICO CROMATO | ELECTRIC CHROMED MONICA
 Ø 25 mm

1 RESISTENZA TERMOLIMITATA ON/OFF | THERMOLIMITED ON/OFF RESISTANCE



Codice Code	A mm	B mm	C mm	KG	W	€
ASMCE F 9300 0500 0770	785	500	450	11,4	300	322,56
ASMCE F 9300 0500 1200	1190	500	450	17,0	400	388,85
ASMCE F 9300 0500 1500	1485	500	450	21,6	500	443,03
ASMCE F 9300 0600 1800	1783	600	550	29,4	700	570,63

2 TERMOSTATO REGOLABILE | ADJUSTABLE THERMOSTAT

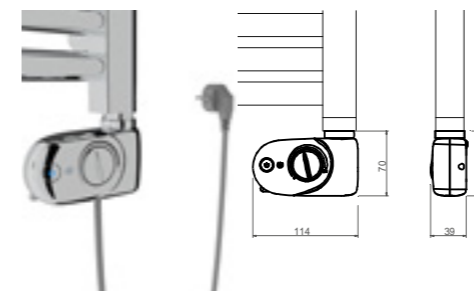


Codice Code	A mm	B mm	C mm	KG	W	€
ASMCT F 9300 0500 0770	785	500	450	16	300	426,02
ASMCT F 9300 0500 1200	1190	500	450	24,1	400	486,92
ASMCT F 9300 0500 1500	1485	500	450	31,1	600	536,68
ASMCT F 9300 0600 1800	1783	600	550	43	800	671,34

Fornitura Standard: termostato montato a sx. Se si desidera montato a dx, sostituire la "F" dei codici sopra riportati, con "D" (es. ASMCT D 9300 0500 0770)

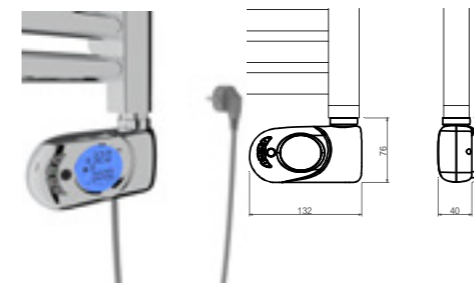
Standard supply: thermostat mounted on the left. If you want it mounted on the right, change the "F" in the codes here reported with "D" (ex. ASMCT D 9300 0500 0770)

3 TERMOSTATO ELETTRONICO ANALOGICO | ANALOG ELECTRONIC THERMOSTAT



Codice Code	A mm	B mm	C mm	KG	W	€
ASMCA D 9300 0500 0770	785	500	450	11,4	300	386,90
ASMCA D 9300 0500 1200	1190	500	450	17,1	400	449,18
ASMCA D 9300 0500 1500	1485	500	450	22,1	600	507,99
ASMCA D 9300 0600 1800	1783	600	550	30,7	800	642,03

4 TERMOSTATO DIGITALE PROGRAMMABILE | PROGRAMMABLE DIGITAL THERMOSTAT



Codice Code	A mm	B mm	C mm	KG	W	€
ASMCP D 9300 0500 0770	785	500	450	11,4	300	473,48
ASMCP D 9300 0500 1200	1190	500	450	17,0	400	535,75
ASMCP D 9300 0500 1500	1485	500	450	21,6	600	594,56
ASMCP D 9300 0600 1800	1783	600	550	29,8	800	728,61



TEKNO ELETTRICO ELECTRIC TEKNO

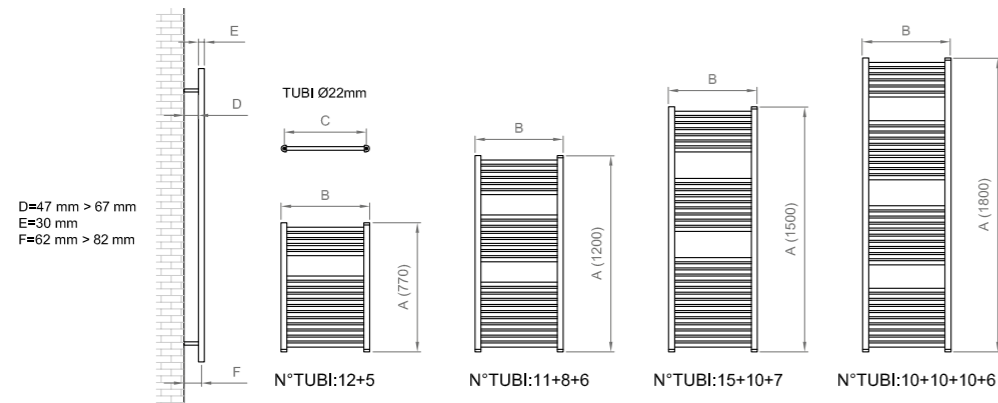


TEKNO ELETTRICO BIANCO | ELECTRIC WHITE TEKNO
 Ø 22 mm



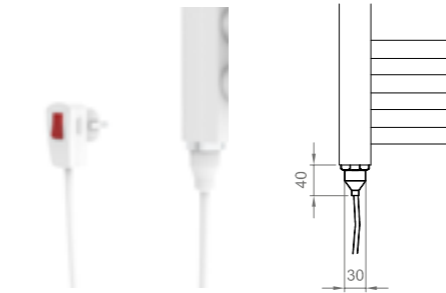
○ Bianco RAL9010 | White RAL9010

CERTIFICAZIONI | CERTIFICATION



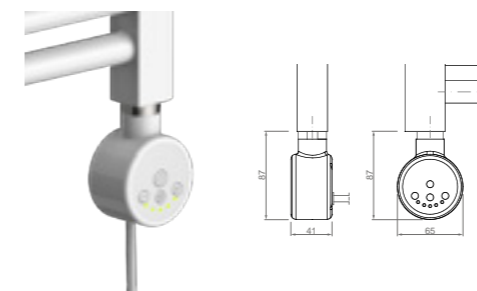
TEKNO ELETTRICO BIANCO | ELECTRIC WHITE TEKNO
 Ø 22 mm

1 RESISTENZA TERMOLIMITATA ON/OFF | THERMOLIMITED ON/OFF RESISTANCE



Codice Code	A mm	B mm	C mm	KG	W	€ RAL9010
ASTEE F 9010 0500 0770	770	500	450	9,6	400	170,20
ASTEE F 9010 0500 1200	1200	500	450	14,6	700	216,64
ASTEE F 9010 0500 1500	1500	500	450	18,2	700	241,79
ASTEE F 9010 0500 1800	1800	500	450	20,8	900	248,58
ASTEE F 9010 0600 0770	770	600	550	11,6	500	187,69
ASTEE F 9010 0600 1200	1200	600	550	16,7	700	225,19
ASTEE F 9010 0600 1500	1500	600	550	20,7	900	244,09
ASTEE F 9010 0600 1800	1800	600	550	23,8	1000	272,14

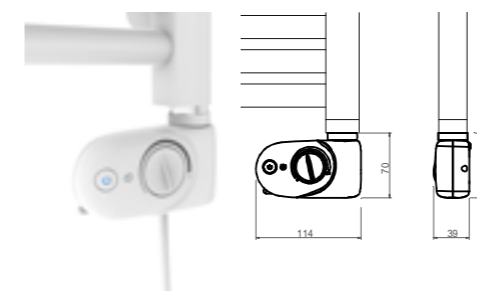
2 TERMOSTATO REGOLABILE | ADJUSTABLE THERMOSTAT



Codice Code	A mm	B mm	C mm	KG	W	€ RAL9010
ASTET F 9010 0500 0770	770	500	450	9,2	400	268,22
ASTET F 9010 0500 1200	1200	500	450	14,2	600	336,65
ASTET F 9010 0500 1500	1500	500	450	17,8	800	375,65
ASTET F 9010 0500 1800	1800	500	450	20,4	800	384,02
ASTET F 9010 0600 0770	770	600	550	11,2	600	302,43
ASTET F 9010 0600 1200	1200	600	550	16,3	800	358,75
ASTET F 9010 0600 1500	1500	600	550	20,3	800	379,08
ASTET F 9010 0600 1800	1800	600	550	23,4	1000	414,80

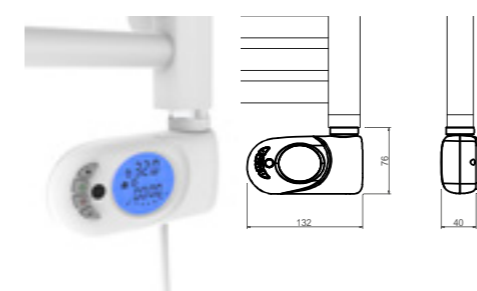
Fornitura Standard: termostato montato a sx. Se si desidera montato a dx, sostituire la "F" dei codici sopra riportati, con "D" (es. ASTET D 9010 0500 0770)
 Standard supply: thermostat mounted on the left. If you want it mounted on the right, change the "F" in the codes here reported with "D" (ex. ASTET D 9010 0500 0770)

3 TERMOSTATO ELETTRONICO ANALOGICO | ANALOG ELECTRONIC THERMOSTAT



Codice Code	A mm	B mm	C mm	KG	W	€ RAL9010
ASTEAD 9010 0500 0770	770	500	450	9,6	400	272,84
ASTEAD 9010 0500 1200	1200	500	450	14,6	600	337,20
ASTEAD 9010 0500 1500	1500	500	450	18,2	800	377,20
ASTEAD 9010 0500 1800	1800	500	450	20,8	800	385,43
ASTEAD 9010 0600 0770	770	600	550	11,6	600	264,88
ASTEAD 9010 0600 1200	1200	600	550	16,7	800	355,07
ASTEAD 9010 0600 1500	1500	600	550	20,7	800	348,19
ASTEAD 9010 0600 1800	1800	600	550	23,8	1000	413,11

4 TERMOSTATO DIGITALE PROGRAMMABILE | CONFIGURABLE DIGITAL THERMOSTAT



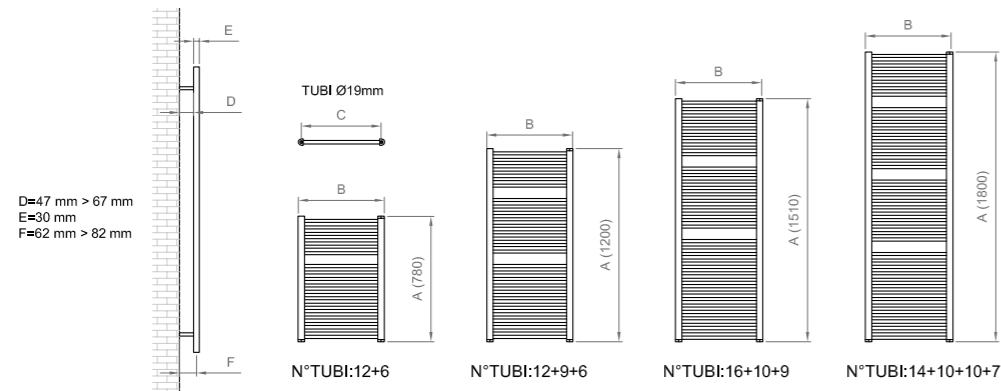
Codice Code	A mm	B mm	C mm	KG	W	€ RAL9010
ASTEP D 9010 0500 0770	770	500	450	9,6	400	303,06
ASTEP D 9010 0500 1200	1200	500	450	14,6	600	367,41
ASTEP D 9010 0500 1500	1500	500	450	18,2	800	407,40
ASTEP D 9010 0500 1800	1800	500	450	20,8	800	415,65
ASTEP D 9010 0600 0770	770	600	550	11,6	600	326,34
ASTEP D 9010 0600 1200	1200	600	550	16,7	800	385,28
ASTEP D 9010 0600 1500	1500	600	550	20,7	800	409,67
ASTEP D 9010 0600 1800	1800	600	550	23,8	1000	443,31

TEKNO ELETTRICO CROMATO | ELECTRIC CHROMED TEKNO
 Ø 22 mm



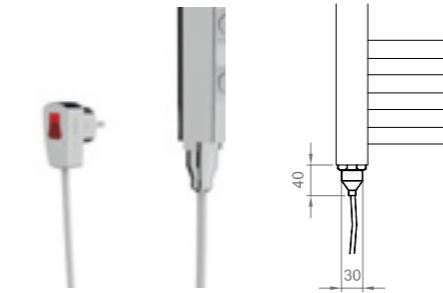
● Cromo 9300 | Chrome 9300

CERTIFICAZIONI | CERTIFICATION



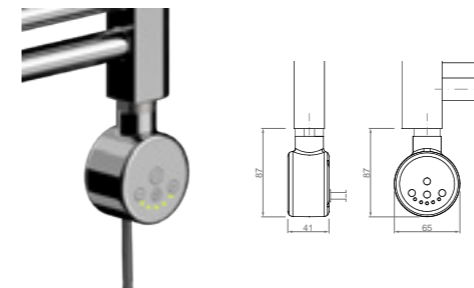
TEKNO ELETTRICO CROMATO | ELECTRIC CHROMED TEKNO
 Ø 22 mm

1 RESISTENZA TERMOLIMITATA ON/OFF | THERMOLIMITED ON/OFF RESISTANCE



Codice Code	A mm	B mm	C mm	KG	W	€
ASTCE F 9300 0500 0770	780	500	450	8,9	300	274,35
ASTCE F 9300 0500 1200	1200	500	450	13,1	400	326,96
ASTCE F 9300 0500 1500	1510	500	450	16,5	500	395,89

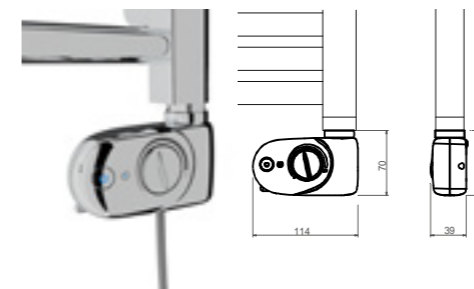
2 TERMOSTATO REGOLABILE | ADJUSTABLE THERMOSTAT



Codice Code	A mm	B mm	C mm	KG	W	€
ASTCT F 9300 0500 0770	780	500	450	12,1	300	380,73
ASTCT F 9300 0500 1200	1200	500	450	17,9	400	430,03
ASTCT F 9300 0500 1500	1510	500	450	22,7	600	492,97

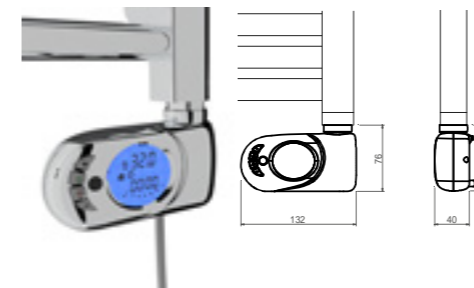
Fornitura Standard: termostato montato a sx. Se si desidera montato a dx, sostituire la "F" dei codici sopra riportati, con "D" (es. ASTCT D 9300 0500 0770)
 Standard supply: thermostat mounted on the left. If you want it mounted on the right, change the "F" in the codes here reported with "D" (ex. ASTCT D 9300 0500 0770)

3 TERMOSTATO ELETTRONICO ANALOGICO | ANALOG ELECTRONIC THERMOSTAT

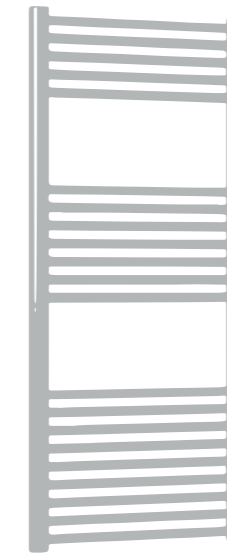


Codice Code	A mm	B mm	C mm	KG	W	€
ASTCA D 9300 0500 0770	780	500	450	8,9	300	338,70
ASTCA D 9300 0500 1200	1200	500	450	13,1	400	392,28
ASTCA D 9300 0500 1500	1510	500	450	16,5	600	462,97

4 TERMOSTATO DIGITALE PROGRAMMABILE | PROGRAMMABLE DIGITAL THERMOSTAT



Codice Code	A mm	B mm	C mm	KG	W	€
ASTCP D 9300 0500 0770	780	500	450	8,9	300	425,27
ASTCP D 9300 0500 1200	1200	500	450	13,1	400	478,85
ASTCP D 9300 0500 1500	1510	500	450	16,5	600	549,54



OPERA ELETTRICO NERO ELECTRIC BLACK OPERA



ACCESSORI **ACCESSORIES**

VALVOLE D'ARREDO | 388
RADIATOR VALVES

ADATTATORI | 390
ADAPTERS

RADIATORI MULTICOLONNA | 391
MULTICOLUMN RADIATOR

SCALDASALVIETTE | 394
TOWEL WARMERS

ELETTRIFICAZIONE | 395
SCALDASALVIETTE
ELECTRIFICATION TOWEL WARMERS

KIT FUNZIONAMENTO MISTO | 398
MIXED OPERATION KIT

RADIATORI IN GHISA | 399
CAST IRON RADIATOR



← **TORNA ALL'INDICE**
BACK TO INDEX

VALVOLE D'ARREDO | RADIATOR VALVES

VALVOLE TERMOSTATICHE | THERMOSTATIC VALVES

Codice Code	Descrizione Description	€
SKVAT5	Kit con valvola e detentore a squadra da 1/2" x 3/4" Eurocono con testa termostatica Set with Euroconus 1/2" x 3/4" angled valve and lockshield with thermostatic head	54,97
SKVAT7	Kit con valvola e detentore a squadra da 3/8" x 3/4" Eurocono con testa termostatica Set with Euroconus 3/8" x 3/4" angled valve and lockshield with thermostatic head	49,10

SKVAT 5-7



VALVOLE TERMOSTATIZZABILI | THERMOSTATIC VALVES

Codice Code	Descrizione Description	€
SKTTS7	Testa termostatica d'arredo bianca White thermostatic head	14,50
SKVAL6	Kit cromato valvola e detentore termostaticizzabile attacco da 1/2" x 3/4" eurocono Chrome-plated valve and euroconus thermostatic 1/2" or 3/4" lockshield set	40,47
SKTTS6	Testa termostatica d'arredo in ABS cromato per SKVAL6 e SKVAL7 Thermostatic head in chromed ABS for SKVAL6 and SKVAL7	19,91
SKVAL64900	Kit nero opaco valvola e detentore termostaticizzabile attacco da 1/2" x 3/4" eurocono Matt black valve and Euroconus thermostatic 1/2" or 3/4" lockshield set	43,06
SKTTS64900	Testa termostatica d'arredo in ABS nero opaco Thermostatic head in matt black ABS	19,58

SKTTS7



SKVAL6



SKTTS6



SKVAL64900



SKTTS64900



VALVOLE INTERASSE 50MM | THERMOSTATIC VALVES CENTRE TO CENTRE DISTANCE 50MM

Codice Code	Descrizione Description	€
SKVAT9MOCD	Kit con valvola e detentore monoblocco dritto cromato attacchi da 1/2" Set with valve and straight chromed monobloc lockshield 1/2" connections	65,52
SKVAT9MOCS	Kit con valvola e detentore monoblocco a squadra cromato attacchi da 1/2" Set with valve and angled chromium-plated monobloc lockshield 1/2" connections	65,52

SKVAT9MOCD



SKVAT9MOCS



COPRITUBO | PIPE COVERING



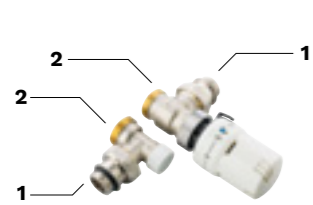
SKCTB C0070
SKCTB B0070
SKCTB K0070

Codice Code	Descrizione Description	€
SKCTBC0070	Set copritubo cromato 70 mm con flangia (2 pz) 70 mm chrome-plated pipe cover set with flange (2 pcs)	18,72
SKCTBB0070	Set copritubo bianco 70 mm con flangia (2 pz) 70 mm white pipe cover set with flange (2 pcs)	17,68
SKCTBK0070	Set copritubo nero opaco 70 mm con flangia (2 pz) 70 mm matt black pipe cover set with flange (2 pcs)	19,76

Solo per tubi multistrato fino a 16mm e profondità massima 110mm
Only for until 16mm multilayer pipes, with 110mm maximum depth

ADATTATORI | ADAPTERS

ADATTATORI PER VALVOLE D'ARREDO | ADAPTERS FOR RADIATOR VALVES



1. Attacco lato radiatore
Radiator side connection
2. Attacco impianto termico
Heating system connection

Kit valvola Valve kit	Ø attacco Ø connection			Famiglia adattatori abbinabile Matching family adapters		
	1 Valvola radiatore Radiator valve	2 Valvola impianto Plant valve	Raccordo adattatore Adapter fitting			
SKVAT5	G 1/2"	3/4" EK	3/4" EK	SAN --C	SAN --P	SAN 16X
SKVAT7	G 3/8"	3/4" EK	3/4" EK	PAR --P	SAN --M	PAR 16M
SKVAL6	G 1/2"	3/4" EK	3/4" EK	SAR --R	SAR --P	SAR --M

ADATTATORI CROMATI (per valvole SKVAL6 e SKVAL7) | CHROME-PLATED ADAPTERS (for SKVAL6 and SKVAL7)

Codice Code	Descrizione Description	Confezione da pz Pack of pcs	€ Al pz. For pc.
Adattatore cromato, attacco 3/4" Eurocono, per TUBO RAME - Ordinare minimo 2 pezzi Chrome-plated adapter, 3/4" Euroconus connection, for COPPER PIPE - Batches are multiples of 2			
SAR12R	Ø 12 mm	2	4,83
SAR14R	Ø 14 mm	2	3,99
SAR16R	Ø 16 mm	2	3,99
Adattatore cromato, attacco 3/4" Eurocono, per TUBO MULTISTRATO - Ordinare minimo 2 pezzi Chrome-plated adapter, 3/4" Euroconus connection, for MULTILAYER PIPE - Batches are multiples of 2			
SAR14M	Ø 14 x 2 mm	2	5,66
SAR16M	Ø 16 x 2 mm	40	7,00
SAR20M	Ø 20 x 2 mm	2	7,75

ADATTATORI NICHELATI (per valvole SKVAT5, SKVAT7)
NICKEL-PLATED ADAPTERS (for SKVAT5, SKVAT7 valves)

Codice Code	Descrizione Description	Confezione da pz Pack of pcs	€ Unitario Unitary
Adattatore nichelato, attacco 3/4" Eurocono, per TUBO RAME - Ordinare minimo 2 pezzi Adapter, 3/4" Euroconus connection, for COPPER PIPE - Batches are multiples of 2			
SAN10C	Ø 10 mm	2	5,44
SAN12C	Ø 12 mm	2	6,08
SAN14C	Ø 14 mm	2	5,68
SAN16X	Ø 16 x 2 mm	2	5,45
Adattatore nichelato, attacco 3/4" Eurocono, per TUBO MULTISTRATO - Ordinare minimo 2 pezzi Adapter, 3/4" Euroconus connection, for MULTILAYER PIPE - Batches are multiples of 2			
SAN14M	Ø 14 x 2 mm	2	5,42
PAR16M	Ø 16 x 2 mm	2	4,07
SAN20M	Ø 20 x 2 mm	2	5,69

ADATTATORI NERI OPACO (per valvole SKVATL64900)
MATT BLACK ADAPTERS (for SKVATL64900 valves)

Codice Code	Descrizione Description	Confezione da pz Pack of pcs	€ Unitario Unitary
Adattatore nero opaco, attacco 3/4" Eurocono, per TUBO MULTISTRATO - Ordinare minimo 2 pezzi Matt black adapter, 3/4" Euroconus connection, for MULTILAYER PIPE - Batches are multiples of 2			
SAR16M4900	Ø 16 x 2 mm	2	7,18

RADIATORI MULTICOLONNA | MULTICOLUMN RADIATOR

COMBY

SK1/2 & SK 3/8



Codice Code	Descrizione Description	€
Kit blister con riduzioni verniciate, tappino cieco e valvolina di sfiato da: Blister set with painted reductions, blind plug and vent valve from:		
SK1/2	1/2" - RAL9010	9,01
SK3/8	3/8" - RAL9010	10,43
Kit blister con riduzioni verniciate, tappino cieco, valvolina di sfiato e mensole verniciate da 170 mm, da: Blister set with painted reductions, blind plug, vent valve and painted 170 mm shelves from:		
SK1/2M	1/2" - RAL9010	9,98
SK3/8M	3/8" - RAL9010	13,68
Tappo cieco da 1" verniciato con guarnizione siliconica bianca 1" blind plug painted with white silicone gasket		
RVTAPD	Destro Right	5,57
RVTAPS	Sinistro Left	5,57
Riduzione verniciata con guarnizione siliconica bianca da 1" a: Painted reduction with white silicone gasket from 1" to:		
RV1/2D	1/2" destro 1/2" right	5,38
RV1/2S	1/2" sinistro 1/2" left	5,38
RV3/4D	3/4" destro 3/4" right	5,57
RV3/4S	3/4" sinistro 3/4" left	5,57
RV3/8D	3/8" destro 3/8" right	5,84
RV3/8S	3/8" sinistro 3/8" left	5,84
Tappino cieco bianco con guarnizione siliconica da: White blind plug with silicone gasket from:		
ST1/2A	1/2"	1,15
Valvolina di sfiato orientabile bianca con guarnizione siliconica da: White adjustable vent valve with silicone gasket from:		
SV1/2	1/2"	4,07
SV3/8	3/8"	4,07

RADIATORI MULTICOLONNA | MULTICOLUMN RADIATOR

	Codice Code	Descrizione Description	€
		Coppia mensole verniciate (usare 1 kit ogni 50 kg): Painted shelves set (2pcs) (use 1 set every 50 kg):	
RVMEN1 & RVMEN2	RVMEN1	8,7 x 170 mm per mod. 2 e 3 colonne	2,39
	RVMEN2	8,7 x 220 mm per mod. 4, 5 e 6 colonne	3,03
	RVMEN4	Coppia mensole speciali invisibili - colore bianco Pair of special invisible shelves - white colour	20,97
RVMEN4	RVMEN4 ...	Coppia mensole speciali invisibili - colorati (Specificare colore, es. RVMEN40215) Pair of special invisible shelves - coloured Specify color, ex. RVMEN40215)	33,05
RVMEN49999	RVMEN49999	Coppia di mensole speciali trasparenti per Comby Loft Pair of special transparent shelves for Comby Loft	32,46
SKCOM	SKCOM	Nippli per giunzione Comby - Confezione da 2 pezzi Nipples for Comby junction - Pack of 2 pcs order	7,49
SKGUS	SKGUS	Guarnizione per nippli Comby - Confezione da 10 pezzi Gasket for Comby nipples - Pack of 10 pieces	7,49
SKMVDIA	SKMVDIA	Diaframma Comby (obbligatorio nel caso di altezze maggiori di 900 mm con montaggio basso/basso)- Confezione da 10 pezzi Comby diaphragm (mandatory in case of heights greater than 900 mm with low/low mounting) - Pack of 10 pieces	38,48
MVCT	MVCT	Chiave in materiale antigraffio per montaggio tappi e guarnizioni Scratch-resistant socket wrench for fitting plugs and gaskets	61,25
MVCM	MVCM	Chiave per montare e smontare nippli Comby da 500 mm Wrench for disassemble and reassemble 500 mm Comby nipples	8,32

RADIATORI MULTICOLONNA | MULTICOLUMN RADIATOR

	Codice Code	Descrizione Description	€
		Coppia piedini inseribili verniciati e trasparenti fissabili (dist. da pavimento 12 cm): Pair of insertable painted and transparent feet (12 cm from the floor):	
SSINS2	SSINS2	Per modelli 2 colonne - colore bianco For 2 column models - white colour	17,74
SSINS2 ...	SSINS2 ...	Per modelli 2 colonne - colorati (Specificare colore, es. SSINS20215) For 2 column models - coloured (Specify color, ex. SSINS20215)	18,89
SSINS29999	SSINS29999	Per modelli 2 colonne - colore Loft For 2 column models - Loft colour	18,12
SSINS3	SSINS3	Per modelli 3 colonne - colore bianco For 3 column models - white colour	21,14
SSINS3 ...	SSINS3 ...	Per modelli 3 colonne - colorati (Specificare colore, es. SSINS20215) For 3 column models - coloured (Specify color, ex. SSINS20215)	22,35
SSINS39999	SSINS39999	Per modelli 3 colonne - colore Loft For 3 column models - Loft colour	21,63
SSINS4	SSINS4	Per modelli 4 colonne - colore bianco For 4 column models - white colour	18,41
SSINS4 ...	SSINS4 ...	Per modelli 4 colonne - colorati (Specificare colore, es. SSINS20215) For 4 column models - coloured (Specify color, ex. SSINS20215)	22,70
SSINS49999	SSINS49999	Per modelli 4 colonne - colore Loft For 4 column models - Loft colour	21,66
		Coppia piedini inseribili verniciati telescopici Pair of telescopic painted insertable feet	
SST56	SST56	Per modelli 5/6 colonne For 5/6 column models	202,07
SST56 ...	SST56 ...	(Specificare colore, es. SST560215) (Specify color, ex. SST560215)	210,60
SSVER	SSVER	Coppia supporti a pavimento verniciati fissabili regolabili (dist. da pavimento da 125 a 175 mm) Pair of painted and adjustable floor supports (distance from the floor from 125 to 175 mm)	221,11
SSVER ...	SSVER ...	(Specificare colore, es. SSVER0215) (Specify color, ex. SSVER0215)	260,00


SCALDASALVIETTE | TOWEL WARMERS

Codice Code	Descrizione Description	€
ST1/2A	Tappino cieco bianco da 1/2" con guarnizione siliconica 1/2" white blind plug with silicone gasket	1,15
ST1/2A9300	Tappino cieco cromato da 1/2" con guarnizione siliconica 1/2" chrome-plated blind plug with silicone gasket	1,84
SV1/2	Valvolina di sfiato orientabile bianca da 1/2" con guarnizione siliconica 1/2" white adjustable vent valve with silicone gasket	4,07
SV1/29300	Valvolina di sfiato orientabile cromata da 1/2" con guarnizione siliconica 1/2" chrome-plated adjustable vent valve with silicone gasket	4,65
Kit di montaggio standard in plastica per scaldasalviette RAL9010 dei modelli: Standard plastic assembly set for RAL9010 towel warmers for the models:		
SKSCA	MONICA	30,78
SKSCA2	Tekno e Scaldasalviette Opera Tekno and Opera towel warmers	30,78
Kit di montaggio standard in plastica per scaldasalviette cromati dei modelli: Standard plastic mounting kit for chrome-plated towel warmers for the models:		
SKSCC	MONICA Cromato Chromed Monica	44,20
SKSCC1	Tekno Cromato e Opera Cromato Chromed Tekno and chromed Opera	44,20
SKSCAM	Kit di montaggio metallico per scaldasalviette con tubo diam. 25 e 22 mm RAL9010 Metal mounting kit for towel warmers with tube diam. 25 and 22 mm RAL9010	76,55
SKSCAM ...	(Specificare colore, es. SKSCAM0215) (Specify color, ex. SKSCAM0215)	78,63
SKSCCM	Kit di montaggio metallico per scaldasalviette con tubo diam. 25 mm cromato Metal mounting set for towel warmer with 25- and 22-mm pipe diameter RAL9010	78,63
Kit di montaggio metallico per scaldasalviette Square Metal mounting set for Square towel warmer		
SKSQA	RAL 9010	87,36
SKSQA ...	(Specificare colore, es. SKSQA0215) (Specify color, ex. SKSQA0215)	108,16
Kit di montaggio plastico per scaldasalviette Square Plastic mounting set for Square towel warmer		
SKSCA5	RAL 9010	147,35
SKSCA54900	Nero Black	147,35
SKSQC	Cromato Chromed	147,35


SCALDASALVIETTE | TOWEL WARMERS

Codice Code	Descrizione Description	€
Portasciugamano da 40 cm (non adatti a scaldasalviette con interasse inferiore a 45 cm) 40 cm towel rack (not suitable for towel warmers with a center distance of less than 45 cm)		
SPR40	RAL9010	72,31
SPC40	Cromato Chromed	75,46
Appendino (coppia) Hanger (pair)		
SAAP1	RAL9010	26,56
SAAP2	Cromato Chromed	37,93


SPR40




SPC40



SAAP1




SAAP2



ELETTTRIFICAZIONE SCALDASALVIETTE | TOWEL WARMERS ELECTRIFICATION

Codice Code	Descrizione Description	€
SV1/8S	Valvolina di sfiato automatico Automatic vent valve	14,18
Resistenza elettrica TERMOLIMITATA ON/OFF (lunghezza cavo 1200/1300 mm) per scaldasalviette BIANCO da: THERMO-LIMITED electrical resistance (cable length 1200/1300 mm) for WHITE towel warmer from:		
SRON 3	300 Watt (lunghezza resistenza: 385 mm) 300 Watt (resistance length: 385 mm)	67,19
SRON 4	400 Watt (lunghezza resistenza: 470 mm) 400 Watt (resistance length: 470 mm)	73,54
SRON 5	500 Watt (lunghezza resistenza: 550 mm) 500 Watt (resistance length: 550 mm)	76,96
SRON 7	700 Watt (lunghezza resistenza: 710 mm) 700 Watt (resistance length: 710 mm)	79,31
SRON 9	900 Watt (lunghezza resistenza: 880 mm) 900 Watt (resistance length: 880 mm)	80,38
SRON 1	1000 Watt (lunghezza resistenza: 880 mm) 1000 Watt (resistance length: 880 mm)	84,30

Resistenza on/off bianca



ELETTRIFICAZIONE SCALDASALVIETTE |

TOWEL WARMERS ELECTRIFICATION

Codice Code	Descrizione Description	€
Resistenza elettrica TERMOLIMITATA ON/OFF (lunghezza cavo 1200/1300 mm) per scaldasalviette CROMATO da: THERMO-LIMITED electrical resistance (cable length 1200/1300 mm) for CHROME-PLATED towel warmer from:		
SRON3C	300 Watt (lunghezza resistenza: 385 mm) 300 Watt (resistance length: 385 mm)	73,84
SRON4C	400 Watt (lunghezza resistenza: 470 mm) 400 Watt (resistance length: 470 mm)	75,64
SRON5C	500 Watt (lunghezza resistenza: 550 mm) 500 Watt (resistance length: 550 mm)	82,31
SRON7C	700 Watt (lunghezza resistenza: 710 mm) 700 Watt (resistance length: 710 mm)	85,13
Termostato REGOLABILE BIANCO con resistenza classe I, cavo liscio e spina schuko, da: ADJUSTABLE WHITE thermostat with class I resistance, spiral cable and schuko plug, from:		
SRT03W	300 Watt (lunghezza resistenza: 370 mm) 300 Watt (resistance length: 370 mm)	185,44
SRT04W	400 Watt (lunghezza resistenza: 370 mm) 400 Watt (resistance length: 370 mm)	189,61
SRT06W	600 watt (lunghezza resistenza: 600 mm) 600 watt (resistance length: 600 mm)	238,45
SRT08W	800 watt (lunghezza resistenza: 800 mm) 800 watt (resistance length: 800 mm)	255,75
SRT10W	1000 watt (lunghezza resistenza: 800 mm) 1000 watt (resistance length: 800 mm)	275,11
Termostato REGOLABILE CROMATO con resistenza classe I, cavo liscio e spina schuko, da: ADJUSTABLE CHROME-PLATED thermostat with class I resistance, spiral cable and schuko plug, from:		
SRTC3W	300 Watt (lunghezza resistenza: 370 mm) 300 Watt (resistance length: 370 mm)	206,96
SRTC4W	400 Watt (lunghezza resistenza: 370 mm) 400 Watt (resistance length: 370 mm)	211,12
SRTC6W	600 watt (lunghezza resistenza: 600 mm) 600 watt (resistance length: 600 mm)	216,32
SRTC8W	800 watt (lunghezza resistenza: 800 mm) 800 watt (resistance length: 800 mm)	219,44
Termostato REGOLABILE NERO con resistenza classe I, cavo liscio e spina schuko, da: ADJUSTABLE BLACK thermostat with class I resistance, spiral cable and schuko plug, from:		
SRT43N	300 Watt (lunghezza resistenza: 370 mm) 300 Watt (resistance length: 370 mm)	301,60
SRT44N	400 Watt (lunghezza resistenza: 370 mm) 400 Watt (resistance length: 370 mm)	312,00
SRT46N	600 watt (lunghezza resistenza: 600 mm) 600 watt (resistance length: 600 mm)	322,40
SRT48N	800 watt (lunghezza resistenza: 800 mm) 800 watt (resistance length: 800 mm)	332,80
SRT40N	1000 watt (lunghezza resistenza: 800 mm) 1000 watt (resistance length: 800 mm)	343,20

Resistenza on/off cromata

SRT...W

SRTC...W

SRT4...N

**ELETTRIFICAZIONE SCALDASALVIETTE |**

TOWEL WARMERS ELECTRIFICATION

Codice Code	Descrizione Description	€
Termostato BIANCO elettronico analogico per il controllo degli scaldasalviette elettrici, conforme Eco-Design EpR Configurable digital WHITE thermostat with class I resistance, prepared for IR from:		
SRTA4B	400 watt (lunghezza resistenza: 350 mm) 400 watt (resistance length: 350 mm)	145,59
SRTA6B	600 watt (lunghezza resistenza: 415 mm) 600 watt (resistance length: 415 mm)	154,61
SRTA8B	800 watt (lunghezza resistenza: 500 mm) 800 watt (resistance length: 500 mm)	165,36
SRTA1B	1000 watt (lunghezza resistenza: 630 mm) 1000 watt (resistance length: 630 mm)	165,36
Termostato GRIGIO/ARGENTO elettronico analogico per il controllo degli scaldasalviette elettrici, conforme Eco-Design EpR GRAY/SILVER digital CONFIGURABLE thermostat with class I resistance, prepared for IR from:		
SRTA3C	300 watt (lunghezza resistenza: 350 mm) 300 watt (resistance length: 350 mm)	172,32
SRTA4C	400 watt (lunghezza resistenza: 415 mm) 400 watt (resistance length: 415 mm)	173,57
SRTA6C	600 watt (lunghezza resistenza: 500 mm) 600 watt (resistance length: 500 mm)	182,58
SRTA8C	800 watt (lunghezza resistenza: 630 mm) 800 watt (resistance length: 630 mm)	191,18
Termostato BIANCO digitale PROGRAMMABILE, resistenza classe I, predisposto per IR da: CONFIGURABLE digital WHITE thermostat, class I resistance, prepared for IR from:		
SRTP4B	400 watt (lunghezza resistenza: 350 mm) 400 watt (resistance length: 350 mm)	185,87
SRTP6B	600 watt (lunghezza resistenza: 415 mm) 600 watt (resistance length: 415 mm)	194,88
SRTP8B	800 watt (lunghezza resistenza: 500 mm) 800 watt (resistance length: 500 mm)	199,68
SRTP1B	1000 watt (lunghezza resistenza: 630 mm) 1000 watt (resistance length: 630 mm)	202,43
Termostato GRIGIO/ARGENTO digitale PROGRAMMABILE, resistenza classe I, predisposto per IR da: GRAY/SILVER CONFIGURABLE digital thermostat, class I resistance, prepared for IR from:		
SRTP3C	300 watt (lunghezza resistenza: 350 mm) 300 watt (resistance length: 350 mm)	287,75
SRTP4C	400 watt (lunghezza resistenza: 415 mm) 400 watt (resistance length: 415 mm)	289,00
SRTP6C	600 watt (lunghezza resistenza: 500 mm) 600 watt (resistance length: 500 mm)	298,01
SRTP8C	800 watt (lunghezza resistenza: 630 mm) 800 watt (resistance length: 630 mm)	306,61

SRTA...B

SRTA...C

SRTP...B

SRTP...C



KIT FUNZIONAMENTO MISTO | MIXED OPERATION KIT

Codice Code	Descrizione Description	€
RVMIS3	Kit composto da valvolina di sfiato e due raccordi a T (tre vie), e un tappo da 1/2" BIANCO per funzionamento misto (acqua calda/elettrico) Kit consisting of a vent valve and two T-connectors (three ways), and a 1/2" WHITE cap for mixed operation (hot water/electric)	83,20
RVMIS4	Kit composto da valvolina di sfiato e due raccordi a T (tre vie), e un tappo da 1/2" CROMATO per funzionamento misto (acqua calda/elettrico) Kit consisting of a vent valve and two T-connectors (three ways), and a 1/2" CHROME cap for mixed operation (hot water/electric)	93,60

BOMBOLETTE PER RITOCCHI | SPRAY CAN FOR TOUCH-UP

Codice Code	Descrizione Description	€
MVSPR	Bomboletta spray per ritocchi radiatori e scaldasalviette BIANCO Spray can for touch-up radiators and towel warmers WHITE	20,26

RADIATORI IN GHISA | CAST IRON RADIATOR

LIBERTY

Codice Code	Descrizione Description	€
SKLIBRTERM	Kit completo in finitura anticata e brunita composto da valvola termostatica a squadra, attacco ferro 1/2", detentore a squadra attacco ferro, valvolina di sfiato da 1/2" e tappino cieco Antiqued and burnished finish set composed of angled thermostatic valve with 1/2" iron connection, angled lockshield valve with iron connection, a 1/2" vent valve and blind plug	663,87
Kit completo in finitura anticata e brunita composto da valvola squadra attacco ferro, detentore squadro attacco ferro, valvolina di sfiato da 1/2" e tappino cieco da: Antiqued and burnished finish set composed of angled valve with iron connection, angled lockshield valve with iron connection, 1/2" vent valve and blind plug:		
SKLIBR1/2	1/2"	114,91
SKLIBR3/4	3/4"	200,68
SKLIBR	Kit completo con finitura anticata e brunita composto da regolatore caldo/freddo con manico in legno, 13 x 7 cm, attacco ferro da 1/2", detentore squadro attacco ferro da 1/2", valvolina di sfiato da 1/2" e tappino cieco da 1/2" Antiqued and burnished finish set composed of hot/cold regulator with wooden handle, 13 x 7 cm, 1/2" iron connection, angled lockshield with 1/2" iron connection, 1/2" vent valve and 1/2" blind plug	191,62
SKLIBMS	Kit moderno composto da valvola squadra attacco ferro da 3/4", detentore squadro attacco ferro da 3/4", valvolina di sfiato da 1/2" e tappino cieco da 1/2" Modern set with 3/4" angled iron connection, 3/4", angled lockshield with iron connection, 1/2" vent valve and 1/2" blind plug	612,83
STLIB	Tappino cieco da 1/2" anticato e brunito 1/2" antiqued and burnished blind plug	6,78
SVLIBS	Valvolina di sfiato da 1/2" anticata e brunita 1/2" antiqued and burnished vent valve	8,31

RADIATORI IN GHISA | CAST IRON RADIATOR

LIBERTY

Codice Code	Descrizione Description	€
Adattatore (1 pz) da 1/2" per attacco rame per diametro da: 1/2" adapter (1 pc) for copper connection diameter from:		
RALIB	10 mm	13,00
RALIB1	12 mm	13,00
RALIB2	14 mm	13,00
RALIB5	15 mm	13,00
RALIB3	16 mm	13,00
RALIB4	18 mm	13,00
Adattatore (1 pz) da 1/2" per attacco multistrato per diametro da: 1/2" adapter (1 pc) for multilayer connection diameter from:		
RALIB1MULT	16 x 2 mm	20,80
RALIB2MULT	20 x 2 mm	20,80
Riduzione in ghisa verniciata grigio ghisa da 1" 1/4 a 1/2" Cast iron grey iron reduction from 1" 1/4 to 1/2"		
RL1/2D9900	Destro Right	27,04
RL1/2S9900	Sinistro Left	27,04
Rosone per radiatore Liberty dim. foro tubo (1 pz) Rosette for Liberty radiator pipe hole size (1 pc)		
SRLIB	12 mm	8,32
SRLIB1	14 mm	8,32
SRLIB2	16 mm	8,32
SRLIB3	20 mm	8,32
Nippli		
MCE101	1" 1/4 - Ordinare minimo 50 pezzi 1" 1/4 - Batches are multiples of 50	2,08
Guarnizione ecologica Ecological gasket		
MCGUL	1" 1/4 spessore 1 mm per nippli - Ordinare minimo 50 pezzi 1" 1/4 1 mm thick for nipples - Batches are multiples of 50	0,94

SRLIB

**RADIATORI IN GHISA | CAST IRON RADIATOR**

E100

Codice Code	Descrizione Description	€
Riduzione in acciaio zincato da 1" a: Galvanized steel reduction from 1" to:		
RZ1/2D	1/2" destro 1/2" right	2,52
RZ1/2S	1/2" sinistro 1/2" left	2,52
Riduzione in acciaio verniciato RAL9010 da 1" a: RAL9010 painted steel reduction from 1" to:		
RP1/2D	1/2" destro 1/2" right	4,90
RP1/2S	1/2" sinistro 1/2" left	4,90
ST1/2A	Tappino cieco bianco con guarnizione siliconica da 1/2" White blind plug with silicone gasket from 1/2"	1,15
SV1/2	Valvolina di sfiato orientabile bianca con guarnizione siliconica da 1/2" White adjustable vent valve with silicone gasket from 1/2"	4,07
MCE10	Nippli 1" - Ordinare minimo 50 pezzi 1" Nipples - Batches are multiples of 50	0,08
MCGUA	Guarnizione ecologica per nippli 1" spessore 0,5 mm - Ordinare minimo 50 pezzi Nipples ecological gasket 0.5 mm thick - Batches are multiples of 50	0,28
MVCM	Chiave per montare e smontare nippli Comby / E-100 da 500 mm Wrench for disassemble and reassemble 500 mm Comby / AT-OPX nipples	8,32

COLONNINE

Codice Code	Descrizione Description	€
Riduzione in acciaio zincato da 1" 1/4 a: Galvanized steel reduction from 1" 1/4 to:		
RZCD1/2	1/2" destro 1/2" right	7,49
RZCS1/2	1/2" sinistro 1/2" left	7,49
Riduzione in acciaio verniciato RAL9010 da 1" 1/4 a: RAL9010 painted steel reduction from 1" 1/4 to:		
RL1/2D9010	1/2" destro 1/2" right	8,32
RL1/2S9010	1/2" sinistro 1/2" left	8,32
ST1/2A	Tappino cieco bianco con guarnizione siliconica da 1/2" White blind plug with silicone gasket from 1/2"	1,15
SV1/2	Valvolina di sfiato orientabile bianca con guarnizione siliconica da 1/2" White adjustable vent valve with silicone gasket from 1/2"	4,07
MCE101	Nippli 1" 1/4 - Ordinare minimo 50 pezzi 1" Nipples - Batches are multiples of 50	2,08
MCGUL	Guarnizione ecologica per nippli 1" 1/4 spessore 1 mm - Ordinare minimo 50 pezzi Nipples ecological gasket 1 mm thick - Batches are multiples of 50	0,94

HEAT ENERGY

LINEA PAVIMENTO | 406
FLOORING LINE

**LINEA INDUSTRIA E
ACCESSORI** | 420
INDUSTRY LINE AND
ACCESSORIES

REGOLAZIONE CLIMATICA | 428
CLIMATE CONTROL



IL SISTEMA HEAT ENERGY

CARATTERISTICHE | TECHNICAL SPECS

È un sistema radiante costituito dalla combinazione di pannelli isolanti e tubazioni con installazioni a pavimento per riscaldare l'ambiente tramite irraggiamento. È la migliore soluzione per ottenere un calore uniforme e maggior comfort, abbinato a un reale risparmio energetico ed economico.

It is a radiant system made up of insulating panels and pipes with flooring installation, which heat the room by radiation. It is the ideal solution for obtaining uniform heat and greater comfort, combined with real energy and economic savings.

Rispetto ai sistemi tradizionali:
Funziona con acqua a bassa temperatura;
Non solleva polvere, garantendo ambienti più salutaris;
Sistema invisibile, consente grande libertà nell'arredamento. Via libera al design!

Compared to traditional systems:
It works with low temperature water;
It does not raise dust, thus guaranteeing healthier environments;
Invisible system, allows greater freedom in furnishing.

L'impiego del sistema pavimento non ha nessun limite, puoi usare il rivestimento che preferisci che sia parquet, ceramica, cotto o moquette.

Ercos risponde all'esigenza della clientela offrendo, mediante il proprio Ufficio Tecnico, una tempestiva risposta alle richieste.

Ercos meets the needs of customers by offering a timely response to requests for quotes via its Technical Department.

PREVENTIVAZIONE | QUOTES
CONSULENZA TECNICA | TECHNICAL CONSULTING
CERTIFICAZIONE | CERTIFICATION

CERTIFICAZIONI | CERTIFICATION



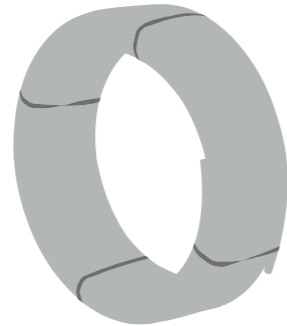
EN 15875-2 EURONORM



ATTENZIONE: Eventuali copie o richieste supplementari di disegni esecutivi cartacei cod. PRESE € 50.00
ATTENTION: Any copies or additional requests of hardcopy executive drawings code PRESE € 50.00

SISTEMA STANDARD PLUS | STANDARD PLUS SYSTEM

PANNELLI | PANELS



PLUS TERMOFORMATO GRAFITE | PLUS THERMOFORMED GRAPHITE

In polistirene espanso sinterizzato a celle chiuse (EPS), additivato con grafite, autoestinguente, ad alta resistenza, con bugna 22 mm e lamina in HIPS termoformato 60/100 mm sottoquadro per eccellente aggancio del tubo e funzione di barriera vapore

Dimensioni utili pannello: 1400x800 mm (ingombro:1450x850 mm)
Classe EPS 200 marcatura CE secondo EN 13163 – PPT 30G
Classe EPS 150 marcatura CE secondo EN 13163 – PPT 40G/50G/55G/63G - EUROCLASSE E

In sintered closed-cell expanded polystyrene (EPS), with added graphite, self-extinguishing, high resistance, with 22 mm ashlar and 60/100 thermoformed HIPS vapor barrier with undercut for excellent tube fitting.

Useful panel dimensions: 1400x800 mm (overall dimensions: 1450x850 mm)
EPS 200 class CE marking according to EN 13163 - PPT 30G
EPS 150 class CE marking according to EN 13163 - PPT 40G/50G/55G/63G
EUROCLASS E

Codice Code	Spessore Thickness	Caratteristiche Features	Scatola Box	€/mq
PPT30G	10	Tot. H 32 mm R0: 0,50 m ² K/W	24,64 mq	23,87
PPT40G	18	Tot. H 40 mm R0: 0,76 m ² K/W	17,92 mq	25,78
PPT50G	28	Tot. H 50 mm R0: 1,10 m ² K/W	13,44 mq	31,95
PPT55G	33	Tot. H 55 mm R0: 1,26 m ² K/W	12,32 mq	35,45
PPT63G	41	Tot. H 63 mm R0: 1,53 m ² K/W	11,20 mq	42,27

TUBI | PIPES



TUBO POLIETILENE RETICOLATO PE-XA | PE-XA CROSS-LINKED POLYETHYLENE PIPE

In HDPE ad alta densità reticolato con sistema a perossidi, grado di reticolazione >70% con barriera anti-diffusione di ossigeno EVOH.

Conforme ai requisiti della norma EN ISO 15875-2

In high density HDPE cross-linked with peroxide system, degree of cross-linking > 70% with anti-diffusion oxygen barrier EVOH.

Complies with the requirements of EN ISO 15875-2 Standard

Codice Code	Diametro Diameter	Rotolo Roll	€/m
PTRB72	17x2 mm	240 m	1,74
PTRB76	17x2 mm	600 m	1,74
PTRB25	20x2 mm	500 m	2,78

LINEA PAVIMENTO FLOORING LINE



SISTEMA STANDARD PLUS | STANDARD PLUS SYSTEM

TUBI | PIPES



Conforme ai requisiti della norma EN ISO 22391-2
Complies with the requirements of EN ISO 22391-2 Standard

TUBO IN POLIETILENE PE.RT 5 STRATI |
POLYETHYLENE PIPE PE.RT 5 LAYERS

Con trattamento per resistenza termica maggiorata, composto da 5 strati, specifico per impianti a pavimento con barriera antidiffusione di ossigeno prodotto secondo norma ISO 22391-2. Grazie alla sua eccellente flessibilità permette installazioni anche a basse temperature esterne.

Treated for increased thermal resistance, consisting of 5 layers, specific for floor systems with anti-diffusion barrier of oxygen produced according to ISO 22391-2 Standard. Thanks to an excellent flexibility, it can be installed even at very low outside temperatures.

Codice Code	Diametro Diameter	Rotolo Roll	€/m
PTPB76	17x2 mm	600 m	1,66



RACCORDO/ADATTATORE | CONNECTION/ADAPTER

PAR17P
per tubazioni in PE-X. Attacco 3/4" eurocono per tubo 17x2
for PE-X pipes. 3/4" Euroconus connection for 17x2 tube

PAR20P
per tubazioni in PE-X. Attacco 3/4" eurocono per tubo 20x2
for PE-X pipes. 3/4" Euroconus connection for 20x2 tube

Codice Code	Raccordo Connection	Ordine minimo di Batches are multiple of	€/Pz
PAR17P	Tubo 17x2 Pipe 17x2	2 pz.	2,92
PAR20P	Tubo 20x2 Pipe 20x2	2 pz.	3,57

SISTEMA STANDARD PLUS | STANDARD PLUS SYSTEM

COLLETTORI E CASSETTE | MANIFOLDS AND BOXES



SERIE ERCOS PLUS IN OTTONE |
ERCOS PLUS SERIES IN BRASS

Collettore di distribuzione da 1" premontato in ottone nichelato composto da collettore di mandata, completo di regolatori micrometrici e misuratori di portata. Collettore di ritorno completo di valvole di intercettazione manuali (termostattizzabili). Staffe di fissaggio disassate con spessori antivibrazione, corredati con: valvole a sfera da 1" (blu e rossa) di alimentazione e bocchettoni con termometri 0-80°. Terminali a 'T' con valvole di sfiato automatico e valvole a sfera da 1/2" (blu e rossa) con porta-gomma per scarico impianto (adattatori per tubo esclusi).

Misura attacchi collettore: G 1" x G 3/4 Eurocono
Pre-assembled 1" distribution manifold in nickel-plated brass composed of delivery manifold, complete with micrometric regulators and flow meters. Return manifold complete with manual shut-off valves (thermostatic). Offset fixing brackets with anti-vibration thickness, equipped with: 1" ball valves (blue and red) for power supply and pipe unions with 0-80° thermometers. 'T' terminals with automatic vent valves and 1/2" ball valves (blue and red) with hose connector for system drain (pipe adapters not included).

Manifold connections size: G 1" x G 3/4 Euroconus

Codice Code	Collettore Manifold	Confezione Packaging	€/Pz
PCE03	3 uscite outputs	1 pz.	197,87
PCE04	4 uscite outputs	1 pz.	231,15
PCE05	5 uscite outputs	1 pz.	255,22
PCE06	6 uscite outputs	1 pz.	288,90
PCE07	7 uscite outputs	1 pz.	320,87
PCE08	8 uscite outputs	1 pz.	351,38
PCE09	9 uscite outputs	1 pz.	374,29
PCE10	10 uscite outputs	1 pz.	403,97
PCE11	11 uscite outputs	1 pz.	445,82
PCE12	12 uscite outputs	1 pz.	475,77
PCE13	13 uscite outputs	1 pz.	498,40
PCE14	14 uscite outputs	1 pz.	528,27

SISTEMA STANDARD PLUS | STANDARD PLUS SYSTEM

COLLETTORI E CASSETTE | MANIFOLDS AND BOXES

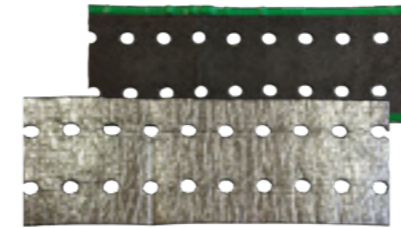
Profondità variabile da 90 a 150 mm |
Depth variable from 90 to 150 mm**CASSETTE PER COLLETTORE IN OTTONE CON COIBENTAZIONE**

BRASS MANIFOLD BOXES WITH INSULATION

Cassetta per collettore in ottone serie PCE. In lamiera zincata con anta bianca verniciata a polveri dotata di chiusura con guide di fissaggio per staffe disassate, piedini regolabili in altezza, completa di rete sullo schienale e pre-tranci per entrate laterali. Sistema di fissaggio telescopico, che permette di estendere la profondità della cassetta ottimizzando l'allineamento al piano finito della parete.

Brass manifold box PCE series. In galvanized sheet metal with white powder-coated door equipped with closure with fixing guides for offset brackets, height-adjustable feet, complete with mesh on the backrest and pre-cuts lateral inlets. The telescopic fixing system allows an extension of the box depth optimizing the alignment to the finished wall plane.

Codice Code	Cassetta Box	Scatola Package	€/Pz
PS90L4	400x630x90/150 per impianti di piccole dimensioni for small systems	1 pz.	139,70
PS90L5	500x630x90/150 per collettore 3+3 e 4+4 for manifold 3+3 and 4+4	1 pz.	142,63
PS90L6	600x630x90/150 per collettore 5+5 for manifold 5+5	1 pz.	152,48
PS90L7	700x630x90/150 per collettore 5+5, 6+6 e 7+7 for manifold 5+5, 6+6, and 7+7	1 pz.	160,87
PS90L8	850x630x90/150 per collettore 8+8, 9+9 e 10+10 for manifold 8+8, 9+9 and 10+10	1 pz.	179,15
PS90L1	1000x630x90/150 per collettore 11+11, 12+12 e 13+13 for manifold 11+11, 12+12 and 13+13	1 pz.	198,49
PS90L2	1200x630x90/150 per impianti di maggiori dimensioni for big systems	1 pz.	217,10

SISTEMA STANDARD PLUS | STANDARD PLUS SYSTEMNUOVA COIBENTAZIONE COLLETTORI 1" |
NEW INSULATION COLLECTORS 1"

Foglio isolante termico ed acustico per collettori fino a 18 vie, in polietilene espanso 30 kg/m³ accoppiato a film plastico con funzione da barriera al vapore, finitura in alluminio retinato, completo di n°2 bande adesive per l'installazione su collettore. Adatto per collettori in ottone e in polimero da 1".

Thermal and acoustic insulating sheet for manifolds up to 18 ways, made of expanded polyethylene 30 kg/m³ coupled with plastic film with function as a vapor barrier, finished in screened aluminium, complete with 2 adhesive bands for installation on the manifold. Suitable for brass and polymer 1" manifolds.

Codice Code	Serie Series	Confezione Packaging	€/Pz
PCECB3	PCE e PCP	1 barra da 18 vie	23,39

COLLETTORI E CASSETTE | MANIFOLDS AND BOXES

Profondità variabile da 80 a 140 mm |
Depth variable from 80 to 140 mm**CASSETTE PER COLLETTORE IN OTTONE**
BRASS MANIFOLD BOXES

Cassetta per collettore in ottone serie PCE. In lamiera zincata con anta bianca verniciata e polveri dotata di chiusura con guide di fissaggio. Per staffe disassate, piedini regolabili in altezza, completa di rete sullo schienale e pre-tranci per entrate laterali. Sistema di fissaggio telescopico, che permette di estendere la profondità della cassetta ottimizzando l'allineamento al piano finito della parete.

Brass manifold box PCE series. In galvanized sheet metal with white powder-coated door equipped with closure with fixing guides. For offset brackets, height-adjustable feet, complete with mesh on the backrest and pre-cuts for lateral inlets. The telescopic fixing system allows an extension of the box depth optimizing the alignment to the finished wall plane. Depth variable from 80 to 140mm inlets. The telescopic fixing system allows an extension of the box depth optimizing the alignment to the finished wall plane.

Codice Code	Cassetta Box	Scatola Package	€/Pz
PS80L5	500x630x80/140 per collettore 3+3 e 4+4 for manifold 3+3 and 4+4	1 pz.	144,08
PS80L7	700x630x80/140 per collettore 5+5, 6+6 e 7+7 for manifold 5+5, 6+6, and 7+7	1 pz.	161,55
PS80L8	850x630x80/140 per collettore 8+8, 9+9 e 10+10 for manifold 8+8, 9+9 and 10+10	1 pz.	180,95
PS80L1	1000x630x80/140 per collettore 11+11, 12+12 e 13+13 for manifold 11+11, 12+12, 13+13 and 14+4	1 pz.	198,47
PS80L2	1200x630x80/140 per impianti di maggiori dimensioni for big systems	1 pz.	217,03

SISTEMA STANDARD PLUS | STANDARD PLUS SYSTEM

GRUPPI DI MISCELAZIONE | MIXING SYSTEMS



Profondità variabile da 90 a 150 mm |
Depth variable from 90 to 150 mm

CASSETTE METALLICHE PER GRUPPO DI MISCELAZIONE
METAL BOXES FOR MIXING SYSTEMS

Per alloggiare il gruppo idronico di rilancio e mix in bassa abbinato ai collettori in ottone da 1" In lamiera zincata con anta bianca verniciata a polveri dotata di chiusura con guide di fissaggio per staffe disassate, piedini regolabili in altezza, completa di rete sullo schienale e pre-tranci per entrate laterali. Sistema di fissaggio telescopico, che permette di estendere la profondità della cassetta ottimizzando l'allineamento al piano finito della parete.

To house the hydronic booster unit and low mix combined with the 1" brass manifolds. In galvanized sheet metal with white powder-coated door equipped with closure with fixing guides for offset brackets, height-adjustable feet, complete with mesh on the backrest and edge lateral inlets. The telescopic fixing system allows an extension of the box depth optimizing the alignment to the finished wall plane.

Codice Code	Cassetta Box	Scatola Package	€/Pz
PS90L7	700x630x90/150 per collettore 3+3 e 4+4 for manifold 3+3 and 4+4	1 pz.	160,87
PS90L8	850x630x90/150 per collettore 5+5, 6+6 e 7+7 for manifold 5+5, 6+6, and 7+7	1 pz.	179,15
PS90L1	1000x630x90/150 per collettore 8+8, 9+9 e 10+10 for manifold 8+8, 9+9 and 10+10	1 pz.	198,49
PS90L2	1200x630x90/150 per collettore 11+11, 12+12 e 13+13 for manifold 11+11, 12+12, 13+13	1 pz.	217,10



GRUPPO IDRONICO DI RILANCIO E MISCELAZIONE IN OTTONE DA 1" RELAY AND MIXING HYDRONIC SYSTEM IN 1"

Completo di: pompa di circolazione classe A con alimentazione di 230Vac, testa termostatica 20-55°C, termometri, termostato di sicurezza, raccordi per valvole a sfera dn25, by-pass lato bassa temperatura cavetti pompa e termostato sicurezza.

Complete with: class A circulation pump 230Vac power supply, thermostatic head 20-55° C, thermometers, safety thermostat, dn25 ball valve fittings, by-pass on low temperature side, pump cables and safety thermostat.

Codice Code	Scatola Package	€/Pz
PMF1PF	1 pz.	1069,14

SISTEMA STANDARD PLUS | STANDARD PLUS SYSTEM

GRUPPI DI MISCELAZIONE | MIXING SYSTEMS



Profondità variabile da 90 a 150 mm |
Depth variable from 90 to 150 mm

CASSETTE METALLICHE PER GRUPPO DI MISCELAZIONE IN ALTA TEMPERATURA METAL BOXES FOR HIGH TEMPERATURE MIXING SYSTEM

Per alloggiare il gruppo idronico di rilancio e mix con 3 stacchi in alta temperatura abbinato ai collettori in ottone da 1" In lamiera zincata con anta bianca verniciata a polveri. Dotata di chiusura portina, guide di fissaggio per staffe disassate, piedini regolabili in altezza, rete per intonaco post./ant. e 3 tranci laterali.

Sistema di fissaggio telescopico della cornice regolabile tra 90 e 150mm. Altezza utile alloggiamento in cassetta 350 mm.

In galvanized sheet metal with white powder-coated door equipped with closure with fixing guides for offset brackets, height-adjustable feet, complete with mesh on the backrest and pre-cuts lateral inlets. The telescopic fixing system allows an extension of the box depth optimizing the alignment to the finished wall plane.

Codice Code	Cassetta Box	Scatola Package	€/Pz
PS90F8	850x780x90/150 per collettore 3+3 e 4+4 for manifold 3+3 and 4+4	1 pz.	254,17
PS90F1	1000x780x90/150 per collettore 8+8, 9+9 e 10+10 for manifold 8+8, 9+9 and 10+10	1 pz.	270,88
PS90F2	1200x780x90/150 per collettore 10+10, 11+11, 12+12 e 13+13 for manifold 11+11, 12+12 and 13+13	1 pz.	246,88



GRUPPO IDRONICO DI RILANCIO E MISCELAZIONE IN OTTONE DA 1" CON 3 STACCHI AD ALTA TEMPERATURA RELAY AND MIXING HYDRONIC SYSTEM IN 1" BRASS WITH 3 HIGH TEMPERATURE POSITIONS

Completo di: pompa di circolazione classe A con alimentazione di 230Vac, testa termostatica 20-55°C, termometri, termostato di sicurezza, raccordi per valvole a sfera dn25, by-pass lato alta temperatura, by-pass lato bassa temperatura, cavetti pompa e termostato sicurezza.

Complete with: class A circulation pump 230Vac power supply, thermostatic head 20-55° C, thermometers, safety thermostat, dn25 ball valve fittings, by-pass on high temperature side, by-pass on low temperature side, pump cables and safety thermostat.

Codice Code	Scatola Package	€/Pz
PMF1PA	1 pz.	1395,59

SISTEMA STANDARD PLUS | STANDARD PLUS SYSTEM

ACCESSORI | ACCESSORIES



FASCIA PERIMETRALE | EDGING STRIP

In polietilene espanso con densità 22 kg/m³ completa di banda adesiva sul lato interno e pre-tranci, con film in PE accoppiato sul lato esterno.

In expanded polyethylene with a density of 22 kg/m³ complete with adhesive edging strip on the internal side and pre-cuts, with PE film coupled on the external side.

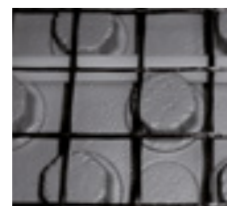
Codice Code	Misura Measure	Rotolo Roll	€/Pz
PAFAPN	H 150	50 m	1,83

GIUNTO DILATAZIONE TERMICA |
THERMAL EXPANSION JOINT

In polietilene ad alta densità (50 Kg/m³) con profilo a I dotato di base adesiva per supporti piani e di base tonda per supporti sagomati

In high density polyethylene (50 Kg/m³) with I profile equipped with an adhesive base for flat supports and a round base for shaped supports.

Codice Code	Profilo Profile	Confezione Packaging	€/Pz
PAGIUP	100X200 mm	1 pz. da 2 m	12,10



RETE ANTI-RITIRO | NON-SHRINKAGE NET

Rete in fibra di vetro con funzione anti-ritiro, avente maglia 40x40 mm con trattamento anti-alcali.

Fiberglass mesh with anti-shrinkage function, having 40x40 mm mesh with alkali-resistant treatment

Codice Code	Misura Measure	Rotolo Roll	€/Pz
PARETF	H 1 mt	50 m (=50 m ²)	5,91

SISTEMA STANDARD PLUS | STANDARD PLUS SYSTEM

ACCESSORI | ACCESSORIES



CLIP DI FISSAGGIO | CLAMPING CLIP

In materiale plastico rinforzato, uncinato, per fissaggio a cavalletto mediante apposita graffettatrice sul pannello piano.

In reinforced plastic material, hooked, for fixing to a jumper by means of a special stapler on the flat panel.

Codice Code	Descrizione Description	Misure H/Diametro Measures H / Diameter	Ordinare minimo di Batches are multiple of	€/Pz
PACLICNEUT	Cavalletto in automatico Automatic clip	H 40 per tubo/16-18 H 40 for pipe/16-18	900 pz.	0,11
PACLIMNEUT	Cavalletto in manuale Manual clip	H 40 per tubo/16-18 H 40 for pipe/16-18	200 pz.	0,15

FILM IN POLIETILENE IN ROTOLI |
POLYETHYLENE FILM IN ROLLS

Film in polietilene con funzione di barriera antiumidità.

Polyethylene film with anti-humidity barrier function.

Codice Code	H/spessori H/thickness	Rotolo Roll	€/mq
PAF02N	1 m/0,2 mm	100 m	2,71



ADDITIVO PER MASSETTO | SCREED ADDITIVE

Additivo termo-fluidificante per calcestruzzo, riduce la quantità d'acqua e migliora la lavorabilità e la conducibilità termica.

Thermo-fluidifying admixture for concrete, reduces the amount of water and improves workability and thermal conductivity.

Codice Code	Per cemento For concrete	Ordinare minimo di Batches are multiple of	€/lt
PAADDM	3 lt x 300 kg	10 lt	6,84

SISTEMA STANDARD PLUS | STANDARD PLUS SYSTEM

ACCESSORI | ACCESSORIES



ADDITIVO ANTIALGA | ANTI-ALGAE ADDITIVE

Per impianti di riscaldamento, inibitore alla corrosione delle parti metalliche dell'impianto, evita la formazione di alghe e organismi microbiologici.

For heating systems, corrosion inhibitor of the metal parts of the system, prevents the formation of algae and microbiological organisms.

Codice Code	Concentrazione Concentration	Confezione Packaging	€/lt
PAADDA	Diluire all'1% Dilute to 1%	1 lt	29,48

Concentrazione d'uso pari all'1% (1lt ogni 100 litri d'acqua in impianto)
1% concentration to be used (1lt for every 100 litres of water in the system)



SROTOLATORE | UNWINDER

Componibile e facilmente trasportabile, completo di occhiello-guida per un corretto svolgimento del tubo.

Thermo-fluidifying admixture for concrete, reduces the amount of water and improves workability and thermal conductivity.

Codice Code	Confezione Packaging	€/Pz
PASRO	1 pz.	471,59

SISTEMA STANDARD PLUS | STANDARD PLUS SYSTEM

ACCESSORI | ACCESSORIES



CURVA DI SOSTEGNO | SUPPORT CURVE

In materiale plastico per sostegno e protezione dei tubi in zona ingresso collettori.

In plastic material, for support and protection of the pipes in the manifold inlet area.

Codice Code	Curva per tubi Curve for pipes	Ordinare minimo di Batches are multiple of	€/Pz
PACURNEUT	Da 16 a 18 mm From 16 to 18mm	50 pz.	2,64



GUAINA DI PROTEZIONE | PROTECTING SLEEVE

Per attraversamento giunti di dilatazione, in materiale plastico corrugato.

For crossing expansion joints, in corrugated plastic material.

Codice Code	Misura diametro Diameter measure	Rotolo Roll	€/Pz
PAGUAS	26 mm x 2,5	25 m	2,78



CLIP DI FISSAGGIO PIANA |
FLAT FIXING CLIP

In materiale plastico, uncinata per il fissaggio tubazioni al pannello bugnato.

In high density polyethylene (50 Kg/m3) with I profile equipped with an adhesive base for flat supports and a round base for shaped supports.

Codice Code	Interasse Core distance	Ordinare minimo di Batches are multiple of	€/Pz
PACLIPNEUT	75 mm	100 pz	0,25

SISTEMA STANDARD PLUS | STANDARD PLUS SYSTEM

GRUPPI DI MISCELAZIONE | MIXING SYSTEMS



KIT DI COIBENTAZIONE IN POLIETILENE
ESPANSO RETICOLATO |
CROSS-LINKED EXPANDED POLYETHYLENE INSULATION KIT

Per gruppo rilancio PMF, kit composto da 2
semigusci.

For PMF relay group, kit consisting of 2 half-shells.

Codice Code	Scatola Package	€/Pz
PMFCB1	1 pz.	110,92



POMPA PER GRUPPI DI MISCELAZIONE | PUMP
FOR MIXING SYSTEMS

Pompa di circolazione elettronica a basso
consumo energetico tipo 25-60.
Interasse 130 mm. spessore 90 mm.
Attacchi filettati G 1"1/2.

Electronic circulation pump with low energy consumption
type 25-60. Centre to centre distance 130 mm. Thickness
90 mm. Threaded connections G 1"1/2.

Conforme ai requisiti del marchio CE.
Alimentazione elettrica monofase 230V ~ 50Hz.
Temperatura fluido 2÷110°C Pressione massima
10 bar.
Temp. ambiente 0÷70°C. A bassa pressione
sonora ≤ 43 dB (A).

Compliant with the CE mark requirements.
Single phase power supply 230V ~ 50Hz.
Fluid temperature 2÷110°C Maximum pressure 10 bar.
Room temp. 0÷ 70°C. Low sound pressure ≤ 43 dB (A).

Codice Code	Scatola Package	€/Pz
PMEPE9	1 pz.	451,00

SISTEMA RIBASSATO | LOWERED SYSTEM

SISTEMA RIBASSO | LOWERED SYSTEM



GUSCIO TERMOFORMATO | THERMOFORMED
SHELL

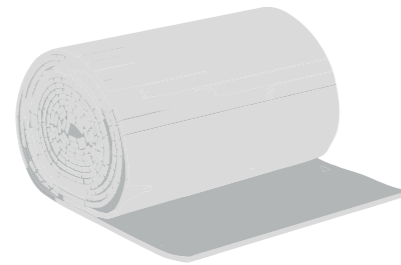
Guscio termoformato sp 1mm, bugna forata e
strato adesivo sul fondo, elevata calpestabilità,
passo 5cm, altezza guscio 22mm, misura
1200x800.

Thermoformed shell 1mm thick, perforated ashlar and
adhesive layer on the bottom, highly resistant to wearing,
5cm distance, 22mm shell height, size 1200x800

Codice Code	Dimensioni mm Dimension mm	Quantità minima ordinabile Minimum order quantity	Confezione Packaging	€/mq
PPT01F	1200x800 mm	147,84 mq	10,56	28,52

Nota: il sistema guscio termoformato più il tubo si completa con gli accessori standard per il pavimento
radiante(fascia perimetrale, curva di sostegno, giunto di dilatazione, additivo antialga).
Per la posa del massetto autolivellante, attenersi scrupolosamente alle indicazioni riportate sulla scheda di
posa.

Note: the thermoformed shell system and the tube is completed with standard accessories for the radiant floor
(perimeter band, support curve, expansion joint, anti-algae additive).
When laying the self-leveling screed, scrupulously follow the instructions on the laying sheet.



TUBO POLIETILENE RETICOLATO PE-XA |
PE-XA CROSS-LINKED POLYETHYLENE PIPE

In HPDE ad alta densità reticolato con sistema a perossidi, grado di reticolazione >70% con barriera antidiffusione di ossigeno EVOH.

In high density HPDE cross-linked with peroxide system, degree of cross-linking >70% with anti-diffusion oxygen barrier EVOH.

Conforme ai requisiti della norma EN ISO 15875-2
Complies with the requirements of EN ISO 15875-2 Standard

Codice Code	Diametro Diameter	Rotolo Roll	€/m
PTRB25	20x2 mm	500 m	2,78



RACCORDO/ADATTATORE | CONNECTION/ADAPTER

PAR20P

Per tubazioni in PE-X. Attacco 3/4" eurocono per tubo 20x2

For PE-X pipes. 3/4" Euroconus connection for 20x2 tube

PAR25E

Raccordo adattatore per tubazioni in polietilene, attacco x 3/4"F, per tubo 25x2,3

Adapter fitting for polyethylene pipes, connection x 3/4"F, for 25x2.3 pipe

Codice Code	Raccordo Connection	Ordinare minimo di Batches are multiple of	€/Pz
PAR20P	Tubo 20x2 Pipe 20x2	2 pz.	3,57
PAR25E	Tubo 25x2,3 Pipe 25x2,3	1 pz.	12,77

LINEA INDUSTRIA E ACCESSORI INDUSTRY LINE AND ACCESSORIES





KIT BY-PASS | BY-PASS KIT

A regolazione fissa per collettore in ottone con 2 raccordi intermedi e guarnizioni o-ring.

Fixed adjustment for brass manifold with 2 intermediate fittings and O-rings.

Codice Code	Oggetto Object	Scatola Box	€/Pz
PAKBP	Kit by-pass By-pass kit	1 pz.	67,07



TAPPO 3/4" EUROCONO | 3/4" EUROCONUS PLUG

Kit 2 tappi ciechi per adattatori attacco 3/4" F eurocono completi di guarnizione di tenuta.

Kit of 2 blind plugs for 3/4" F Euroconus connection adapters complete with sealing gasket.

Codice Code	Oggetto Object	Pezzi Pieces	€/Pz
PATAPF	Coppia di tappi	1	4,97



STAFFE DI FISSAGGIO | FIXING BRACKETS

Coppia di staffe di fissaggio con spessori antivibrazione per collettore in ottone. Disegno esclusivo che permette di compattare gli ingombri garantendo spazi agevoli per il fissaggio di tubi ed accessori.

Pair of fixing brackets with anti-vibration shims for brass manifold. Exclusive design for compact dimensions, ensuring easy spaces for accessories fixing.

Codice Code	Oggetto Object	Kit	€/kit
PASTA	Coppia di staffe Pair of brackets	1	6,33



GRUPPO RACCORDO A T | A T FITTING SYSTEM

A tenuta morbida con valvola di sfiato automatico e rubinetto di scarico impianto con porta gomma per collettori in ottone.

Soft seal with automatic bleed valve and drain cock system with rubber holder for brass manifolds.

Codice Code	Gruppo Group	Kit	€/kit
PARATB	Valvola BLU BLUE Valve	1	25,72
PARATR	Valvola ROSSA RED Valve	1	25,72



VALVOLE DI SFIATO | VENT VALVES

PARAVA
Valvola di sfiato automatico da 1/2" 1/2" automatic vent valve

SV1/2 - SV3/8
Valvola di sfiato manuale attacco 3/8" - Valvola di sfiato manuale attacco 1/2".
Manual vent valve 3/8" connection - Manual vent valve connection 1/2".

Codice Code	Kit composto Kit includes	n° kit	€/kit
PARAVA	Automatico Automatic	1	9,20
SV1/2	Manuale Manual	1	4,07
SV3/8	Manuale Manual	1	4,07

LINEA INDUSTRIA | INDUSTRY LINE
ACCESSORI | ACCESSORIES



REGOLATORE E MISURATORE DI PORTATA |
 FLOWMETER

Specifico per collettori da 1" 1/4 attacco 3/4 eurocono da installare sul collettore di ritorno.

Specific for manifolds of 1" 1/4 connection 3/4 euroconus to be installed on the return manifold.

Codice Code	Misuratore Meter	Pezzi Pieces	€/Pz
PAREZ	Universale Universal	1	12,95



VALVOLA MANUALE TERMOSTATIZZABILE |
 MANUAL VALVE THERMOSTATIC OPTION

Valvola "vitone termostatico" di comando per collettori in ottone da 1" serie Ercos Plus.

"Thermostatic head valve" for 1" brass manifolds Ercos Plus series.

Codice Code	Oggetto Object	Pezzi Pieces	€/Pz
PARVI	Valvola termostaticizzabile, attacco 30x1,5, da 1/2" G, completo di volantino in ABS bianco. Thermostatic valve, 30x1.5 connection, 1/2" G, complete with white abs handwheel	1	10,40



TERMOMETRO | THERMOMETER

Termometro 0-80°
 Thermometer 0-80°

Codice Code	Oggetto Object	Pezzi Pieces	€/Pz
PATE8	Termometro 0-80° Thermometer 0-80°	1	10,40

LINEA INDUSTRIA | INDUSTRY LINE
ACCESSORI | ACCESSORIES



NIPPLO NICHELATO PER GIUNZIONE
 COLLETTORI |
 NIPPLE NICKEL-PLATED FOR CONNECTING MANIFOLDS

Nipplo nichelato da 1" MM
 per giunzione collettori PCE.

1" MM nickel-plated nipple for joining PCE manifolds.

Codice Code	Oggetto Object	Pezzi Pieces	€/Pz
PARAC1	Nipplo 1" per giunzione collettori PCE 1" nipple for PCE manifold junction 1 pc	1 pz.	10,35



RACCORDO SDOPPIATORE PER CIRCUITI
 COLLETTORE |
 COUPLING FOR MANIFOLD CIRCUITS

Raccordo sdoppiatore in ottone nichelato G 3/4" x 3/4" eurocono per sdoppiare i circuiti sui collettori.

Nickel-plated brass splitter fitting G 3/4" x 3/4" euroconus to split the circuits on the manifolds.

Codice Code	Oggetto Object	Pezzi Pieces	€/Pz
PARSD	Raccordo sdoppiatore 3/4" eurocono Splitter fitting 3/4" euroconus	1	30,00



REGOLAZIONE CLIMATICA CLIMATE CONTROL



ATTENZIONE: Eventuali copie o richieste supplementari di disegni esecutivi cartacei cod. PRESE € 50.00
ATTENTION: Any copies or additional requests of hardcopy executive drawings code PRESE € 50.00

REGOLAZIONE CLIMATICA | CLIMATE CONTROL

TERMOREGOLAZIONE | THERMOREGULATION



ATTUATORE PRAZ4 | PRAZ4 ACTUATOR

Attuatore termoelettrico ON/OFF normalmente chiuso.

Per comando di un singolo circuito.

Alimentazione 230 V a 4 fili.

(il 4 fili è dotato di microinterruttore ausiliario di fine corsa - contatto n.a.)

ON/OFF thermoelectric actuator normally closed. For the control of a single circuit.

230 V 2-wire or 4-wire power supply (the 4-wire supply is equipped with an auxiliary limit switch - n.m. contact).

Codice Code	Oggetto Object	Scatola Box	€/kit
PRAZ4	Attuatore 4 fili 4-wire actuator	1 pz.	20,91



TERMOSTATO DI SICUREZZA |
SAFETY THERMOSTAT

Valore di taratura 55°C, cablaggio incluso.

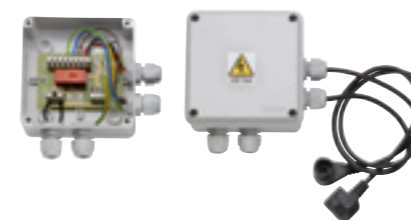
Interrompe la pompa del collettore/pannelli se si supera il valore di taratura.

Completo di molla per fissaggio.

Calibration value 55° C, wiring included.

It stops the manifold/panel pump if the calibration value is exceeded. Complete with spring for fixing.

Codice Code	Oggetto Object	Scatola Box	€/kit
PRTES	Termostato Thermostat	1 pz.	10,77



SCHEDA DI CONNESSIONE | CONNECTION CARD

Per cassetta di miscelazione a punto fisso con cablaggio pompa e termostato sicurezza completa di morsetti per il collegamento del termostato ambiente e di relè con contatto pulito di servizio.

For fixed point mixing box with pump wiring and safety thermostat complete with terminals for connecting room thermostat and relays with free service contact.

Codice Code	Oggetto Object	Scatola Box	€/Pz
PRSCH	Scheda Card	1 pz.	171,60

DEUMIDIFICAZIONE | DEHUMIDIFICATION



DEUMIDIFICATORE | DEHUMIDIFIER

Deumidificatore isotermico canalizzabile da controsoffitto. Funzionamento a ciclo frigorifero con raffreddamento ad acqua refrigerata. Umidità condensata (26°C-65% rh-acqua ingresso 15°C) 25,5 l/giorno; portata aria nominale 200mc/h; rumorosità secondo la norma iso 3746: 38 dba; ventilatore centrifugo a tre velocità; ingombri dell'apparecchio LxHxP mm 645x247x550.

Isothermal dehumidifier ducted from a false ceiling. Cooling cycle operation with chilled water cooling. Condensed humidity (26°C-65% rh-inlet water 15°C) 25.5 l/day; nominal air flow 200mc/h; noise according to ISO 3746: 38 dba; centrifugal fan with three speeds; overall dimensions of the unit LxHxW mm 645x247x550.

Codice Code	Descrizione Description	Confezione Packaging	€/Pz
PDU26	Deumidificatore da controsoffitto Countertop dehumidifier	1 pz.	2989,22

DEUMIDIFICAZIONE | DEHUMIDIFICATION



DEUMIDIFICATORE | DEHUMIDIFIER

Deumidificatore isotermico canalizzabile da controsoffitto. Funzionamento a ciclo frigorifero con raffreddamento ad acqua refrigerata. Umidità condensata (26°C-65% rh-acqua ingresso 15°C) 38,3 l/giorno; ventilatore centrifugo a tre velocità; ingombri dell'apparecchio LxHxP mm 593x262x700.

Isothermal dehumidifier ducted from a false ceiling. Refrigeration cycle operation with chilled water cooling. Condensed humidity (26°C-65% rh-inlet water 15°C) 38.3 l/day; centrifugal fan with three speeds; overall dimensions of the unit LxHxW 593x262x700 mm.

Codice Code	Descrizione Description	Confezione Packaging	€/Pz
PDU38	Deumidificatore da controsoffitto Countertop dehumidifier	1 pz.	3989,39



Deumidificatore isotermico da incasso o da parete. Funzionamento a ciclo frigorifero con raffreddamento ad acqua refrigerata. Umidità condensata (26°C-65% rh-acqua ingresso 15°C) 24,0 l/giorno; rumorosità secondo la norma iso 3746: 36 dba; ventilatore centrifugo a tre velocità; ingombri dell'apparecchio LxHxP mm 722x573x202.

Built-in or wall-mounted isothermal dehumidifier. Refrigeration cycle operation with chilled water cooling. Condensed humidity (26°C-65% rh-inlet water 15°C) 24.0 l/day; noise according to ISO 3746: 36 dba; centrifugal fan with three speeds; overall dimensions of the unit LxHxW mm 722x573x202.

Codice Code	Descrizione Description	Confezione Packaging	€/Pz
PDU24	Deumidificatore da parete Wall-mounted dehumidifier	1 pz.	2955,08

VMC





VMC DECENTRALIZZATA | DECENTRALIZED VMC

La VMC puntuale (o decentralizzata) prevede l'installazione di un'unità di ventilazione o di un ingresso aria in ciascun ambiente dell'abitazione. Questa tipologia di impianto non richiede alcun sistema di distribuzione dell'aria e per questo è la soluzione ideale in caso di ristrutturazione di modesta entità.

La VMC puntuale può essere a singolo flusso, singolo flusso alternato con recupero di calore o doppio flusso con recupero di calore.

The punctual VMC (or decentralized), includes installation of an unit of ventilation air inlet in each dwelling environment. This type of system does not require any air distribution system and for this reason it is the ideal solution in the event of a minor restructuring.

The decentralized VMC can be single flow, single alternate flow with heat recovery or double flow with heat recovery.

BENEFICI & VANTAGGI | BENEFITS & ADVANTAGES

SALUTE E IGIENE

Ricambio di aria continuo e autonomo.

Controllo degli inquinanti interni (VOC, CO₂, formaldeide..).

Abbattimento della concentrazione del gas Radon.

Riduzione degli inquinanti provenienti dall'esterno (particolati).

Assenza della proliferazione di muffe causata dall'umidità contenuta nell'aria.

Miglioramento della qualità dell'aria particolarmente importante per utenti allergici o con problemi respiratori.

Health and hygiene

Continuous and independent air exchange.

Control of indoor pollutants (VOC, CO₂, formaldehyde ..).

Reduction of the concentration of Radon gas.

Reduction of pollutants from the outside (particulates).

Absence of the proliferation of mold caused by the humidity contained in the air.

Air quality improvement particularly important for allergic or respiratory users.

COMFORT

Assenza di correnti d'aria e sbalzi termici.

Controllo dell'umidità interna.

Nessun ingresso di insetti.

Assenza di rumori provenienti dall'esterno.

Evacuazione degli odori interni.

Funzionamento autonomo del sistema, silenzioso anche nelle ore notturne.

Comfort

Absence of air currents and temperature changes.

Indoor humidity control.

No insect entry.

Absence of noise from outside.

Internal odor evacuation.

Autonomous operation of the system, silent even at night.

CERTIFICAZIONE ENERGETICA

Miglioramento della prestazione energetica dell'immobile e aumento del suo valore.

Energy certification

Improvement of the energy performance of the property and increase in its value.

RISPARMIO

Riduzione dei consumi energetici.

Recupero energia termica in modo da limitare l'attivazione dell'impianto di riscaldamento o di raffrescamento.

Riduzione degli inquinanti immessi in atmosfera.

Accelerazione dell'asciugatura dell'involucro edilizio al termine dei lavori.

Beneficio delle detrazioni fiscali secondo i termini di legge in vigore.

Savings

Reduction of energy consumption.

Thermal energy recovery in order to limit the activation of the heating or cooling system.

Reduction of pollutants released into the atmosphere.

Acceleration of the drying of the building envelope at the end of the works.

Benefit of tax deductions according to the terms of the law in force (in Italy).

VMC

VMC DECENTRALIZZATA | DECENTRALIZED VMC



VMC DECENTRALIZZATA | VMC DECENTRALIZED

Unità di VMC decentralizzata a singolo flusso alternato con recupero di calore mediante blocco ceramico interno, a basso consumo energetico. Ideale per installazione in ambienti singoli (soggiorni e stanze da letto). Utilizzabile singolarmente o in abbinamento con altra unità per massimizzare l'efficienza, migliorando il bilanciamento del sistema.

Decentralised single-flow alternating VMC unit with heat recovery via internal ceramic block, low energy consumption. Ideal for installation in single rooms (living rooms and bedrooms). Can be used individually or in combination with another unit to maximise efficiency and improve system balance.

Codice Code	Descrizione Description	Box	€
VMCORS3100	Recuperatore di calore decentralizzato a flussi alterni Decentralised alternating-flow heat exchanger	1	468,00

VMC

VMC DECENTRALIZZATA | DECENTRALIZED VMC



EVMC 150

Unità di VMC decentralizzata a singolo flusso alternato con recupero di calore Ø150mm; ideale per installazione in ambienti singoli fino a 45m²; motore EC brushless a bassissimo consumo energetico; multi-velocità; telecomando fornito di serie; controllo di umidità integrato; gestione automatica dei tempi di inversione del flusso per il massimo comfort acustico e termico; unità ventilante removibile tramite magneti per una manutenzione semplificata; classe di consumo energetico in clima temperato A

Decentralized VMC unit with single alternating flow with heat recovery Ø150mm; ideal for single rooms up to 45m²; EC brushless motor with very low energy consumption; multi-speed; standard remote control supplied; integrated humidity control; automatic management of flow reversal times for maximum acoustic and thermal comfort; fan unit removable by magnets for simplified maintenance; energy consumption class in temperate climate A.

Codice Code	Descrizione Description	Box	€
VMCONS4614	EVMC 150	1	676,64
VMCONS0972	TRM150PRO - terminale esterno pro Ø150mm TRM150PRO - external terminal pro Ø150mm	1	189,31
VMCONS1549	KT150HR - kit chiusura - 2pz KT150HR - closing kit - 2pcs	1	52,24

CONDIZIONI DI FORNITURA
GENERAL TERMS OF TRADE

CONDIZIONI DI FORNITURA

Il conferimento di un ordine a ERCOS implica l'accettazione delle qui sotto elencate condizioni generali di fornitura, salvo diverso accordo espresso in forma scritta.

1. Ordini

Tutti gli ordini verranno forniti secondo le condizioni standard indicate nel presente accordo.

2. Modifiche e annullamento degli ordini

Non potranno essere accettate modifiche, annullamenti, aggiunte sull'ordine, o richieste di particolari lavorazioni/ personalizzazioni salvo preventivo accordo scritto da parte di ERCOS ed esplicita accettazione scritta da parte del cliente delle eventuali maggiorazioni di costo o delle ulteriori spese sostenute a causa di dette variazioni che verranno di conseguenza addebitate.

3. Prezzi e sconti

Le condizioni esposte nel presente accordo sono da intendersi Franco Fabbrica, trasporto e IVA esclusi. Eventuali accordi, intervenuti con terzi, seppur agenti di ERCOS, relativi a prezzi e sconti sul presente listino non sono vincolanti per ERCOS, salvo espressa accettazione scritta da parte di questa. Listini, preventivi, offerte e prezzi, potranno subire in qualsiasi momento variazioni ad insindacabile discrezione di ERCOS.

4. Trasporto e Logistica

a. Aspetti inerenti la gestione logistica

ERCOS si riserva il diritto ad evadere gli ordini anche in più consegne parziali. Qualora il cliente desideri evitare dette consegne parziali dovrà specificarlo chiaramente nell'ordine. ERCOS è esonerata da ogni responsabilità per la mancata o ritardata consegna imputabile all'errata scelta del giorno o dell'orario di consegna al destinatario o all'utilizzo di un mezzo di trasporto non adeguato alle necessità del destinatario, qualora le particolari modalità di consegna inerenti giorni e orari di ricevimento e scarico merce, richieste di consegna con mezzi di trasporto specifici (ad es: motrice, sponda idraulica, camion centinato, ecc.) non siano state esplicitamente richieste nell'ordine. In mancanza di tali indicazioni, ERCOS è infatti autorizzata alla spedizione secondo le modalità e con il mezzo che riterrà opportuni e le eventuali spese dovute alla mancata consegna verranno addebitate al cliente.

b. Responsabilità inerenti la spedizione

La spedizione e le responsabilità connesse sono regolamentate secondo gli incoterms indicati nelle conferme d'ordine. Al ricevimento della merce, il destinatario deve verificare che l'imballo sia intatto, che la merce non sia danneggiata o difettosa e che non vi sia merce mancante o difforme da quanto ordinato. Ogni eventuale reclamo relativo agli imballi, a danni o difetti, ad ammanchi o a qualunque altra contestazione relativa alla merce ricevuta va immediatamente segnalata al trasportatore firmando con riserva il documento di trasporto. La riserva va poi confermata a ERCOS a mezzo lettera raccomandata, fax o posta elettronica a serviziocliente@ercos.it, entro 8 giorni dal ricevimento della merce. Decorso questo termine, il trasportatore sarà liberato da ogni responsabilità sulla merce consegnata e quindi ERCOS si riserva di accettare o respingere a propria discrezione eventuali riserve trasmesse con ritardo. Su richiesta e a spese del destinatario, la merce spedita può comunque essere assicurata contro i rischi del trasporto.

5. Condizioni di pagamento

Le condizioni di pagamento pattuite tra ERCOS e il cliente decorrono dalla data di emissione della fattura, sono tassative e devono essere rispettate in ogni caso, salvo diverso accordo scritto. Eventuali detrazioni o ritardi nei pagamenti motivati da ritardi nelle consegne, contestazioni o reclami di qualunque genere o da note di accredito non ancora emesse o ancora da rivendicazioni d'altro tipo non riconosciute da ERCOS non verranno in alcun caso accettate. L'acquirente rinuncia quindi ad opporre in compensazione a ERCOS eventuali crediti, se non previo pagamento integrale dei propri debiti a quest'ultima. Le spese bancarie relative a mancati o ritardati pagamenti saranno interamente a carico del cliente, mentre gli interessi moratori, verranno addebitati al tasso di cui all'art. 5 D.Lgs 231/02, salvo risarcimento dell'eventuale maggiore danno e fermo restando il diritto di ERCOS a rivalersi per gli importi ad

essa dovuti. Le commissioni bancarie e ogni altra spesa relative alla forma di pagamento prescelta sono a carico del cliente. Qualunque irregolarità nei pagamenti comporta l'immediata sospensione della fabbricazione della merce ordinata, nonché delle spedizioni in corso. ERCOS avrà facoltà, ai sensi dell'Art. 1460 C.C., di rifiutare o sospendere le forniture in caso di mora del compratore per qualsiasi importo a suo debito o qualora la sua situazione patrimoniale o finanziaria peggiorasse successivamente alla conclusione del contratto e ancora nel caso in cui siano diminuite le sue garanzie patrimoniali o venga assoggettato a procedure concorsuali. Il mancato pagamento da parte del cliente anche di una sola parte del corrispettivo alla scadenza pattuita, comporterà l'automatica decadenza di quest'ultimo dal beneficio del termine per gli importi dovuti non ancora scaduti, con conseguente obbligo al pagamento immediato dell'intero capitale oltre a interessi e spese. Non si riconoscono pagamenti fatti ad Agenti se non muniti di autorizzazione scritta da parte di ERCOS.

6. Contestazioni e Reclami

Qualunque contestazione o reclamo relativi a merce, danni o difetti dovranno essere comunicati entro 8 giorni dal ricevimento della merce o comunque entro 8 giorni dal momento del palesamento del danno o difetto, posto che la merce oggetto di contestazione non sia stata alterata o manomessa da terzi non autorizzati da ERCOS. Ogni reclamo o contestazione dovrà essere trasmesso a mezzo posta a ERCOS, Via San Faustino, 35, 25040 Monticelli Brusati (BS), Italia o a mezzo e-mail all'indirizzo servizioclienti@ercos.it.

7. Resi

Nessun reso o ritorno di merce potrà essere ad alcun titolo accettato se non preventivamente concordato per iscritto con ERCOS.Per ogni apertura di pratica di reso non autorizzata e/o non conforme di reso l'Azienda applicherà una franchigia fissa di € 15,00 (I.V.A. esclusa) a copertura delle spese gestione pratica e l'addebito delle spese di consegna e rientro del materiale. Non si accettano resi (o annullamento ordini) per prodotti fuori catalogo o speciali, fatto salvo accordo preventivo con il Servizio Clienti. I prodotti non potranno in ogni caso essere resi se non in perfette condizioni per la vendita e nell'imballo originale.

8. Imballaggio

L'imballaggio dei singoli articoli è compreso nel prezzo di vendita ed è normalmente previsto per il successivo raggruppamento della merce su bancale. Eventuali imballaggi speciali o personalizzazioni sono possibili con addebito. L'imballaggio dei radiatori non sarà ripreso.

9. Specificazioni e disegni tecnici

I disegni e le altre specificazioni o dati tecnici contenuti nel presente o in altri supporti informativi pubblicati da ERCOS sono indicativi, non sono vincolanti per ERCOS e non rappresentano quindi un contratto nei confronti di terzi. Per ragioni industriali e in funzione di un continuo sviluppo dei prodotti, ERCOS si riserva quindi di apportare modifiche a dette specificazioni e disegni in qualunque momento, anche senza preavviso. Allo stesso modo, eventuali campioni di prodotto messi a disposizione del cliente non possono rappresentareun vincolo per ERCOS.Le specifiche i disegni, i capitolati, i campioni, i modelli e le attrezzature e i documenti che eventualmente ERCOS S.p.A. avrà comunicato per qualsiasi ragione all'acquirente o che sono comunque contenuti nel presente listino o in altri supporti informativi comunicati da ERCOS S.p.A. resteranno di proprietà di ERCOS S.p.A.. Il cliente si obbliga a tenerli riservati e ad utilizzarli esclusivamente per l'esecuzione del presente contratto.

10. Garanzie

ERCOS S.p.A. dichiara e garantisce che i prodotti dalla medesima fabbricati e commercializzati sono stati costruiti nel pieno rispetto delle normative nazionali ed internazionali regolanti la materia, l'ottima qualità dei materiali usati e la buona costruzione degli apparecchi e ancora che gli stessi sono stati collaudati accuratamente e sottoposti a severe ispezioni dal controllo qualità. Tutti i prodotti di ERCOS sono garantiti per un periodo minimo di due anni dalla data di consegna. Eventuali costi di smontaggio e rimontaggio (manodopera e materiale non ERCOS) verranno riconosciuti solo nel caso in

CONDIZIONI DI FORNITURA

cui il prodotto sia difettoso, non riparabile e il difetto non fosse visibile nel momento dell'installazione e non fosse evidenziabile testando il prodotto prima dell'installazione definitiva. Ogni articolo che entro questo periodo palesi difetti di materiali o di fabbricazione, potrà essere riparato o sostituito a titolo gratuito e Franco Destino a condizione che:

- il cliente esibisca una prova d'acquisto;
- detti difetti vengano tempestivamente e nel dettaglio comunicati per iscritto a ERCOS;
- nessun intervento sia stato effettuato da parte del cliente o di terzi sulla merce difettosa senza il preventivo consenso da parte di ERCOS;
- eventuali interventi di regolazione e/o taratura dei sistemi radianti non sono compresi nella copertura delle condizioni di garanzia;
- La merce sostituita resterà di proprietà di ERCOS. Eventuali sostituzioni o riparazioni avverranno nei limiti di tempo compatibili con le esigenze organizzative del personale organizzato e competente di ERCOS, la quale in ogni caso si impegna ad effettuarle nel più breve tempo possibile. Tali interventi effettuati in garanzia non daranno comunque luogo al prolungamento o al rinnovo della stessa. La garanzia decade per difetti o guasti emersi in seguito a sforzi anormali, custodia insufficiente, manipolazione o ogni altra modifica o errato utilizzo non consentiti da ERCOS e comunque la garanzia decade immediatamente nei seguenti casi:

a. Per i radiatori e gli scalda serviette:

- se l'impianto è stato periodicamente e prolungatamente svuotato;
- installazione in impianti con funzionamento a vapore;
- installazione in impianti a vaso di espansione aperto o comunque non ermeticamente chiusi;
- aggiunta di additivi chimici nell'acqua dell'impianto di riscaldamento;
- presenza di gas, sedimentazioni di fango, residui di metallo o grasso nell'impianto;
- interventi o riparazioni per difetti o guasti eseguiti senza l'autorizzazione scritta di ERCOS, che in questo caso è libera anche da ogni pretesa, del cliente o di terzi, in relazione a richieste di risarcimento danni e rimborsi e altre spese o indennizzi connessi con l'intervento stesso;
- che gli accessori, le parti di ricambio e in special modo i nipples e le guarnizioni utilizzati non siano originali ERCOS;
- che i radiatori non siano stati conservati e immagazzinati in buone condizioni e al riparo dalle intemperie prima di essere installati in cantiere;
- che l'installazione non sia stata realizzata a regola d'arte e conformemente alle norme e agli usi del settore;
- che l'acqua utilizzata per la realizzazione dell'impianto di riscaldamento sia corrosiva e presenti gradi di durezza non compresi nella norma;
- che i radiatori siano stati installati in impianti con una pressione di esercizio superiore a quella massima garantita e indicata a catalogo;
- che i radiatori siano stati installati in impianti con una temperatura di esercizio superiore a quella massima garantita e indicata a catalogo;
- che i radiatori siano stati riverniciati ad una temperatura superiore a 100°C.

b. Per i prodotti bagno e sanitari:

- se l'eventuale deterioramento della cromatura è dovuto all'uso di detersivi acidi abrasivi;
- che l'installazione non sia stata realizzata a regola d'arte e conformemente alle norme e agli usi del settore, nonché alle istruzioni di montaggio fornite da ERCOS in dotazione con ogni articolo. La decadenza della garanzia implica che ERCOS non potrà essere ritenuta responsabile di alcun danno o richiesta di rimborso o risarcimento derivanti da guasti dovuti all'errata installazione, manipolazione o manomissione come sopra indicato. Le parti escludono espressamente ogni altro tipo di garanzia, ivi compresa la garanzia per vizi prevista dagli articoli 1490 e ss.c.c., nei limiti previsti dal comma secondo dell'art. 1490 c.c.; le parti convengono unicamente sulla garanzia di cui al presente punto, sia in relazione all'oggetto che in relazione al contenuto della garanzia medesima.

c. Per sistemi radianti:

- qualora la posa, il collaudo ed il primo avviamento dell'impianto radiante non siano stati realizzati e documentati secondo la Norma UNI EN 1264-4;
- per mancata osservazione delle prescrizioni di sicurezza (mancanza termostato di sicurezza, pressione dell'acqua in impianto troppo elevata), uso incauto o improprio del sistema radiante (temperature impianto radiante troppo elevate);
- se si riscontra antigelo nell'acqua dell'impianto termico;
- se l'acqua dell'impianto termico non è stata condizionata con opportuno trattamento chimico “antialga”;
- per funzionalità carente o non conforme dovuta al mancato utilizzo dei materiali secondo lo sviluppo del disegno esecutivo Opefloor;
- per utilizzo nei sistemi radianti di alcuni componenti non forniti da Ercos Spa, che risultino non conformi alla destinazione d'uso;
- per riparazioni improprie non autorizzate da Ercos Spa;

11. Responsabilità civile prodotti

Eventuali danni a terzi provocati da prodotti difettosi sono coperti da polizza assicurativa specifica e quindi verranno gestiti secondo i tempi previsti dalla polizza stessa.

12. Foro competente

In caso di controversia derivante dai rapporti di fornitura disciplinati dalle presenti condizioni generali o comunque con le stesse connesse, sarà competente in via esclusiva l'autorità giudiziaria del Foro di Brescia con espressa, concorde esclusione di qualsiasi altro foro eventualmente concorrente o alternativo.

13. Diritto Applicabile

Tutti i contratti conclusi con ERCOS sono soggetti al diritto italiano. Le parti escludono espressamente l'applicazione delle disposizioni della Convenzione di Vienna sulla vendita internazionale di beni mobili dell'11 aprile 1980, ratificata con legge 11 dicembre 1985, n.765.

14. Traduzioni

Per quanto concerne le traduzioni di queste condizioni generali in una lingua diversa dall'italiano, qualora vi sia disaccordo o incertezza sul significato o sull'interpretazione di una o più di queste disposizioni tradotte, prevale la versione italiana.

15. Conclusione contratto

La conclusione del contratto avverrà dopo l'accettazione in forma scritta da parte di ERCOS dell'ordine ovvero dal momento in cui sia dato inizio all'esecuzione da parte di questa.

16. Trattamento dei dati

Le Parti si impegnano, ciascuna per il proprio, a rispettare le norme in tema di Data Protection (Reg. UE 679/2016 e D.Lgv 30 giugno 2003 n. 196 e ss.mm).

Per informazioni circa i trattamenti di dati personali effettuati dal fornitore, si rimanda all'informativa privacy che viene fornita.

GENERAL TERMS OF TRADE

Placing an order with ERCOS implies acceptance of the general supply conditions listed below, unless otherwise agreed in writing.

1.Orders

All orders will be supplied according to the standard conditions indicated in this agreement.

2. Changes and cancellation of orders

Modifications, cancellations, additions to the order, or requests for particular processes/customizations cannot be accepted unless previously agreed in writing by ERCOS and explicit written acceptance by the customer of any cost increases or additional expenses incurred due to said changes that will be charged accordingly.

3. Prices and discounts

The conditions set out in this agreement are to be understood Ex Works, excluding transport and VAT. Any agreements made with third parties, albeit agents of ERCOS, relating to prices and discounts on this price list are not binding for ERCOS, unless expressly accepted in writing by the latter. Price lists, estimates, offers and prices may undergo changes at any time at the unquestionable discretion of ERCOS.

4. Transport and Logistics

a. Aspects related to logistics management

ERCOS reserves the right to fulfill orders even in several partial deliveries. If the customer wishes to avoid such partial deliveries, he must clearly specify it in the order.ERCOS is exempt from any liability for failed or delayed delivery due to the incorrect choice of the day or time of delivery to the recipient or to the use of a means of transport that is not suitable for the recipient's needs, if the particular delivery methods days and hours of receipt and unloading of goods, requests for delivery with specific means of transport (for example: tractor, tail lift, tilt truck, etc.) have not been explicitly requested in the order. In the absence of such indications, ERCOS is in fact authorized to ship according to the methods and with the means it deems appropriate and any costs due to non-delivery will be charged to the customer.

b. Shipping Responsibilities

Shipping and related responsibilities are regulated according to the incoterms indicated in the order confirmations. Upon receipt of the goods, the recipient must check that the packaging is intact, that the goods are not damaged or defective and that there are no goods missing or different from those ordered. Any complaint relating to the packaging, damage or defects, shortages or any other dispute relating to the goods received must be immediately reported to the carrier by signing the transport document with reserve. The reserve must then be confirmed to ERCOS by registered letter, fax or e-mail to serviziocliente@ercos.it, within 8 days of receipt of the goods. Once this term has elapsed, the carrier will be released from any responsibility for the goods delivered and therefore ERCOS reserves the right to accept or reject any reservations sent late at its own discretion. At the request and expense of the consignee, the shipped goods can in any case be insured against transport risks.

5. Terms of payment

The payment conditions agreed between ERCOS and the customer start from the invoice issue date, are mandatory and must be complied with in any case, unless otherwise agreed in writing. Any deductions or delays in payments motivated by delays in deliveries, disputes or complaints of any kind or by credit notes not yet issued or by claims of any other type not recognized by ERCOS will in no case be accepted. The purchaser therefore waives the right to offset against ERCOS any credits, unless the latter has paid in full its debts. Bank charges relating to missed or delayed payments will be entirely borne by the customer, while default interest will be charged at the rate set forth in art. 5 Legislative Decree 231/02, subject to compensation for any greater damage and without prejudice to the right of ERCOS to claim compensation for the amounts due to it. Bank commissions and any other expenses relating to the chosen form of payment are charged to the customer. Any irregularity in the payments involves the immediate suspension of the production of the ordered goods, as well as of the shipments in progress. ERCOS will have the right, pursuant to Art. 1460 of the Civil Code, to refuse or suspend supplies in the event of default by the buyer for any amount owed to him or if his patrimonial or financial situation worsens after the conclusion of the contract and again in the event that his patrimonial guarantees have decreased or he is subject to bankruptcy proceedings. Failure by the customer to pay even a single part of the consideration on the agreed due date will result in the latter's automatic forfeiture of the benefit of the term for the amounts due not yet due, with the consequent obligation to pay immediately the entire capital plus interest and expenses. Payments made to Agents are not recognized unless provided with written

authorization from ERCOS.

6. Disputes and Claims

Any dispute or complaint relating to goods, damages or defects must be communicated within 8 days of receipt of the goods or in any case within 8 days of the moment of disclosure of the damage or defect, provided that the disputed goods have not been altered or tampered with by third parties not authorized by ERCOS. Any complaint or objection must be sent by post to ERCOS, Via San Faustino, 35, 25040 Monticelli Brusati (BS), Italy or by e-mail to servizioclienti@ercos.it.

7. Returns

No return or return of goods can be accepted for any reason unless previously agreed in writing with ERCOS.For each opening of an unauthorized and/or non-compliant return procedure, the Company will apply a fixed deductible of € 15.00 (excluding VAT) to cover the costs of managing the procedure and the charging of the costs of delivery and return of the material . We do not accept returns (or cancellation of orders) for non-catalogue or special products, subject to prior agreement with Customer Service. In any case, the products cannot be returned unless they are in perfect condition for sale and in the original packaging.

8. Packing

The packaging of the individual items is included in the sale price and is normally provided for the subsequent grouping of the goods on a pallet. Any special packaging or customizations are possible against a charge. The packaging of the radiators will not be taken back.

9. Technical specifications and drawings

The drawings and other specifications or technical data contained in this document or in other information media published by ERCOS are indicative, are not binding on ERCOS and therefore do not represent a contract with third parties. For industrial reasons and as a function of continuous product development, ERCOS therefore reserves the right to make changes to said specifications and drawings at any time, even without notice. Likewise, any product samples made available to the customer cannot represent a constraint for ERCOS.The specifications, drawings, specifications, samples, models and equipment and documents that ERCOS S.p.A. will have communicated to the buyer for any reason or which are in any case contained in this price list or in other information media communicated by ERCOS S.p.A. will remain the property of ERCOS S.p.A.. The customer undertakes to keep them confidential and to use them exclusively for the execution of this contract.

10. Guarantees

ERCOS SpA declares and guarantees that the products manufactured and marketed by them have been constructed in full compliance with national and international regulations covering the sector, the excellent quality of the materials used and the good construction of the appliances and that they have been thoroughly tested and subjected to strict quality control inspections. All ERCOS products are guaranteed for a minimum period of two years from the delivery date.

Any disassembly and reassembly costs (labour and non-Ercos material) will only be recognised in the event that the product is defective, cannot be repaired and the defect was not visible at the time of installation and could not be detected by testing the product prior to final installation.

Any item that within this period shows obvious defects in materials or workmanship, can be repaired or replaced free of charge and delivered free of charge provided that:

- the customer provides proof of purchase;
- these defects are promptly and in detail communicated in writing to ERCOS;
- no intervention has been carried out by the customer or third parties on the defective goods without the prior consent of ERCOS;
- any adjustments and/or calibrations of the radiant systems are not included in the guarantee coverage.
- The replaced goods will remain the property of ERCOS. Any replacements or repairs will take place within the time limits compatible with the organisational needs of ERCOS staff, which in any case undertakes to carry them out as quickly as possible. However, these repairs carried out under guarantee will not lead to its extension or renewal. The guarantee is void for defects or failures arising from abnormal stress, insufficient storage, tampering or any other modification or misuse not permitted by ERCOS and in any case the guarantee expires immediately in the following cases:

a. For radiators and towel warmers:

- the system has been periodically emptied for long periods;
- installation in steam-operated systems;
- installation in open or non-hermetically sealed expansion tank

GENERAL TERMS OF TRADE

systems;

- addition of chemical additives in the water of the heating system;
- presence of gas, sludge sediment, metal or grease residues in the system;
- interventions or repairs for defects or failures that are performed without the written authorisation of ERCOS, which in this case is also free from any claim by the customer or third parties in relation to claims for damages and reimbursements and other expenses or compensation in connection with the intervention;
- the accessories, spare parts and especially the nipples and gaskets used are not original ERCOS parts;
- the radiators have not been kept and stored in good condition and protected from the elements before being installed on site;
- installation has not been carried out in a workmanlike manner and in accordance with the standards and customs of the sector;
- the water used for the construction of the heating system is corrosive and has degrees of hardness not included in the standard;
- the radiators have been installed in systems with an operating pressure that is higher than the maximum guaranteed and indicated in the catalogue;
- the radiators have been installed in systems with an operating temperature that is higher than the maximum guaranteed and indicated in the catalogue;
- the radiators have been repainted at a temperature above 100 ° C.

b. For bathroom and toilet and bidet products:

- any deterioration of the chrome plating is due to the use of acid abrasive detergents;
- installation has not been carried out in a workmanlike manner and in accordance with the standards and customs of the sector, as well as the assembly instructions provided by ERCOS supplied with each item. The forfeiture of the guarantee implies that ERCOS cannot be held responsible for any damage or request for reimbursement or compensation resulting from failures that are due to incorrect installation, manipulation or tampering as indicated above. The parties expressly exclude any other type of guarantee, including the guarantee for defects provided for in articles 1490 et seq. of the Civil Code, within the limits set by the second paragraph of art. 1490 CC; the parties agree only on the guarantee referred to in this paragraph, both in relation to the subject and in relation to the content of the guarantee itself

c. For radiant systems:

- the laying, testing and first start-up of the radiant system have not been carried out and documented according to the UNI EN 1264 - 4 Standard;
- failure to observe safety requirements (lack of safety thermostat, water pressure too high in the system), careless or improper use of the radiant system (radiant system temperatures too high);
- there is anti-freeze in the water of the heating system;
- the water in the heating system has not been conditioned with an appropriate "anti-algae" chemical treatment;
- poor or non-compliant functioning due to failure to use materials that are compliant with the development of the Opefloor executive design;
- components not supplied by Ercos Spa have been used in the radiant systems and are not compliant with the intended use;
- improper repairs not authorised by Ercos Spa;
- any extension of the ten-year guarantee of the complete Opefloor system lapses if materials other than those from Ercos Spa have been used;

11. Product liability

Any damage to third parties caused by defective products is covered by a specific insurance policy and will therefore be managed according to the times set by the policy itself.

12. Jurisdiction

In the event of a dispute deriving from the supply relationships governed by these general conditions or in any case connected with them, the judicial authority of the Court of Brescia will have exclusive jurisdiction with the express, agreed exclusion of any other competing or alternative court.

13. Applicable Law

All contracts concluded with ERCOS are subject to Italian law. The parties expressly exclude the application of the provisions of the Vienna Convention on the international sale of movable property of 11 April 1980, ratified with law 11 December 1985, n.765.

14. Translations

As regards the translations of these general conditions into a language other than Italian, should there be disagreement or uncertainty about the meaning or interpretation of one or more of these translated provisions, the Italian version shall prevail.

15. Conclusion of contract

The conclusion of the contract will take place after the written acceptance of the order by ERCOS or from the moment in which the execution is started by the latter.

16. Data processing

Both parts are committed to compliance with the Data Protection Regulation (UE 679/2016 and D.Lgv 30 giugno 2003 n. 196 e ss.mm). For additional information on how the supplier handled your data, please refer to our Privacy Policy.

A causa degli imprescindibili limiti di stampa le finiture riportate in questa pagina sono puramente indicative.

Due to the limits of printing, the table of colours is puerly representative and is not to be considered as obliging for the manufacturer.

ERCOS

BATHROOM EXPERIENCE

ERCOS S.P.A.

SEDE LEGALE

Via San Faustino, 35
Monticelli Brusati (BS)

DIREZIONE, SHOWROOM

Via Brognolo, 5
Rodengo Salano (BS)

(+39) 030 6818511

info@ercos.it

www.ercos.it



Scansiona il QR per visionare questo listino sul tuo Smartphone. Il PDF a questo link sarà sempre aggiornato!

Scan the QR to view this price list on your Smartphone. The PDF in this link will always be the most updated version.

EDIZIONE GIUGNO 2024
JUNE EDITION 2024

